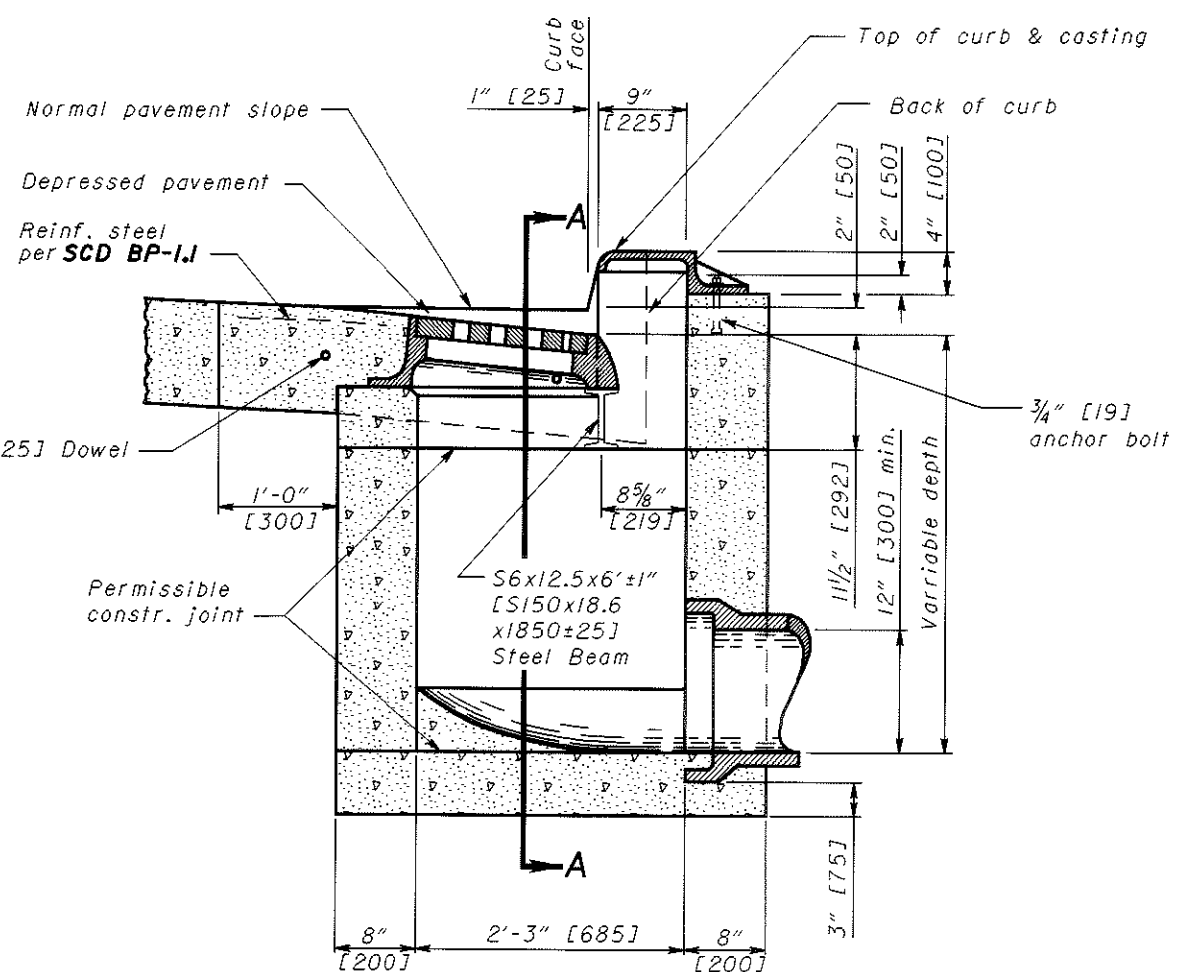


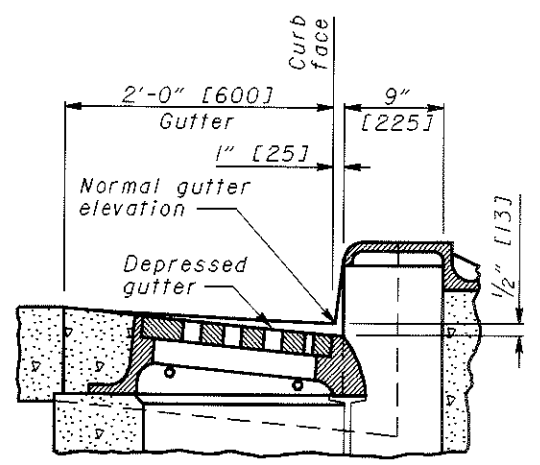
SECTION A-A

The bottom may be precast separately and the outlet pipe placed on top of it with the bottom shaped to drain

1 Dowel location for curb & gutter

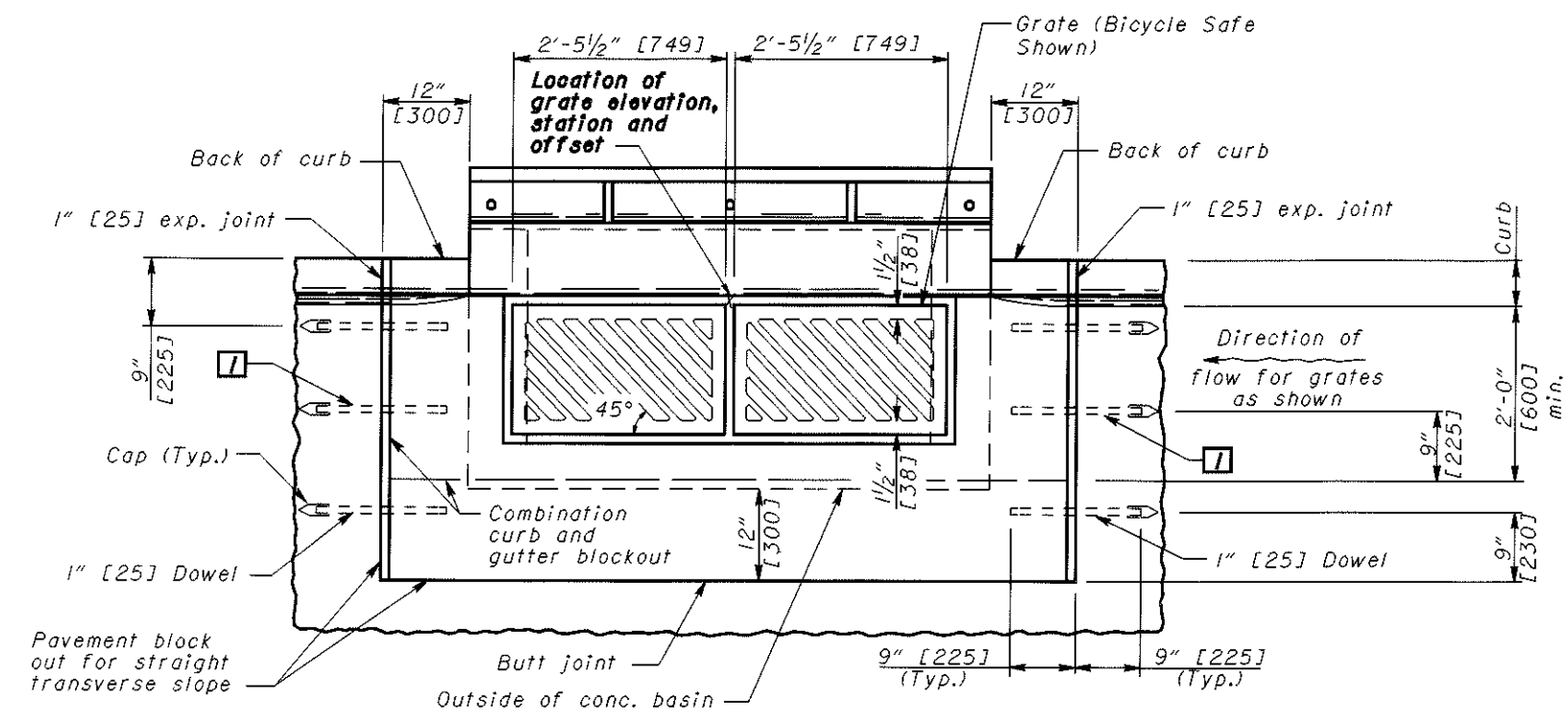


SECTION B-B WITH CURB (2" [50] DEPRESSION)



SECTION B-B WITH CURB & GUTTER (1/2" [13] DEPRESSION)

See Sht. 2/2 for NOTES



PLAN OF CATCH BASIN AND PAVEMENT JOINTS

CATCH BASIN No. 3

THIS DRAWING REPLACES CB-2.IM DATED 7-12-95.
 STANDARD ROADWAY CONSTRUCTION DRAWING
 ROADWAY ENGINEERING SERVICES
 CATCH BASIN No. 3
 NUMBER CB-2.1
 1/2
 STOS. ENGR. D. Focke
 REVISIONS
 D. Focke
 D. Focke
 OHIO DEPARTMENT OF TRANSPORTATION
 7-20-01
 ROADWAY DESIGN ENGINEER
 DATE