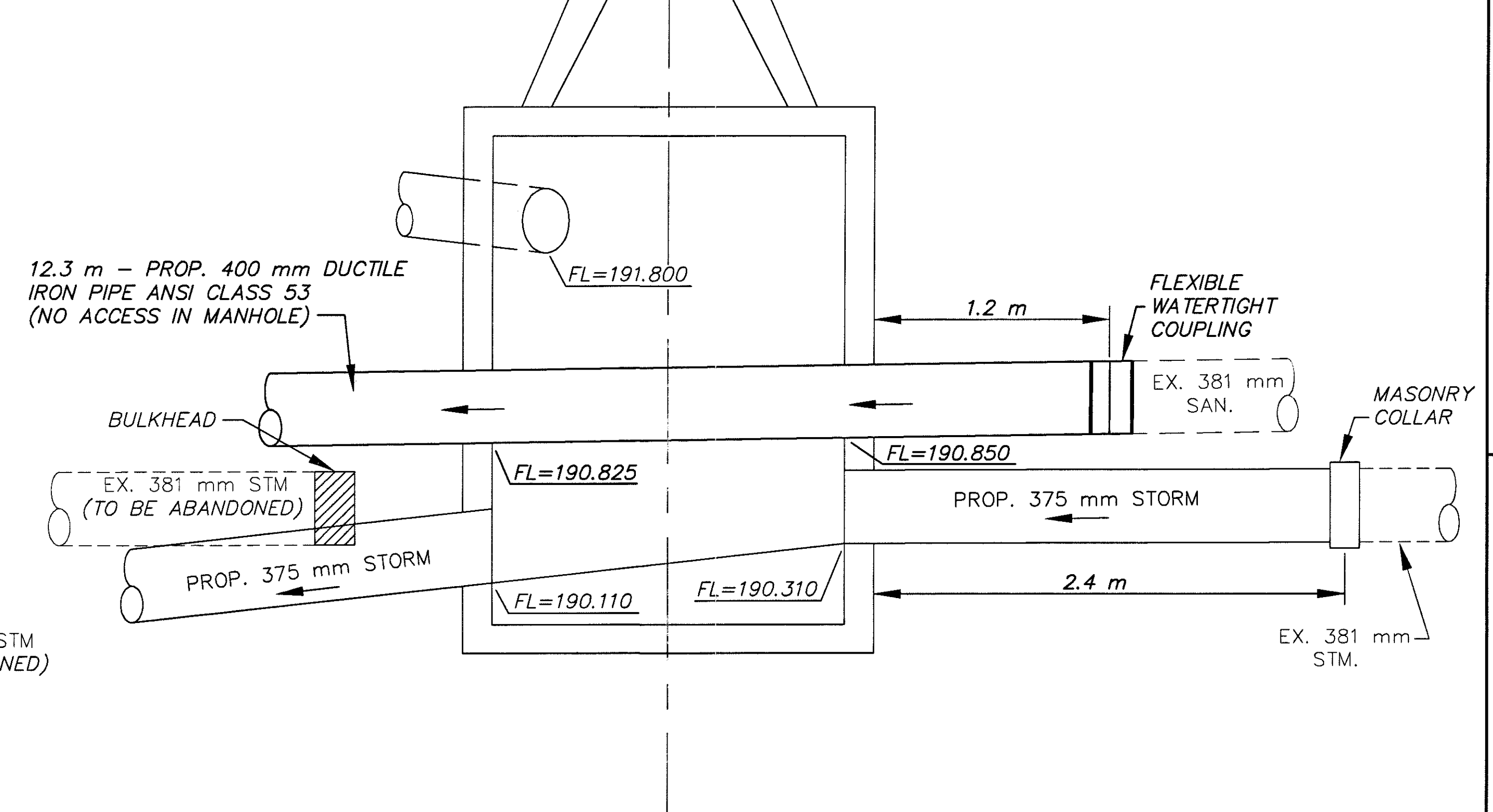
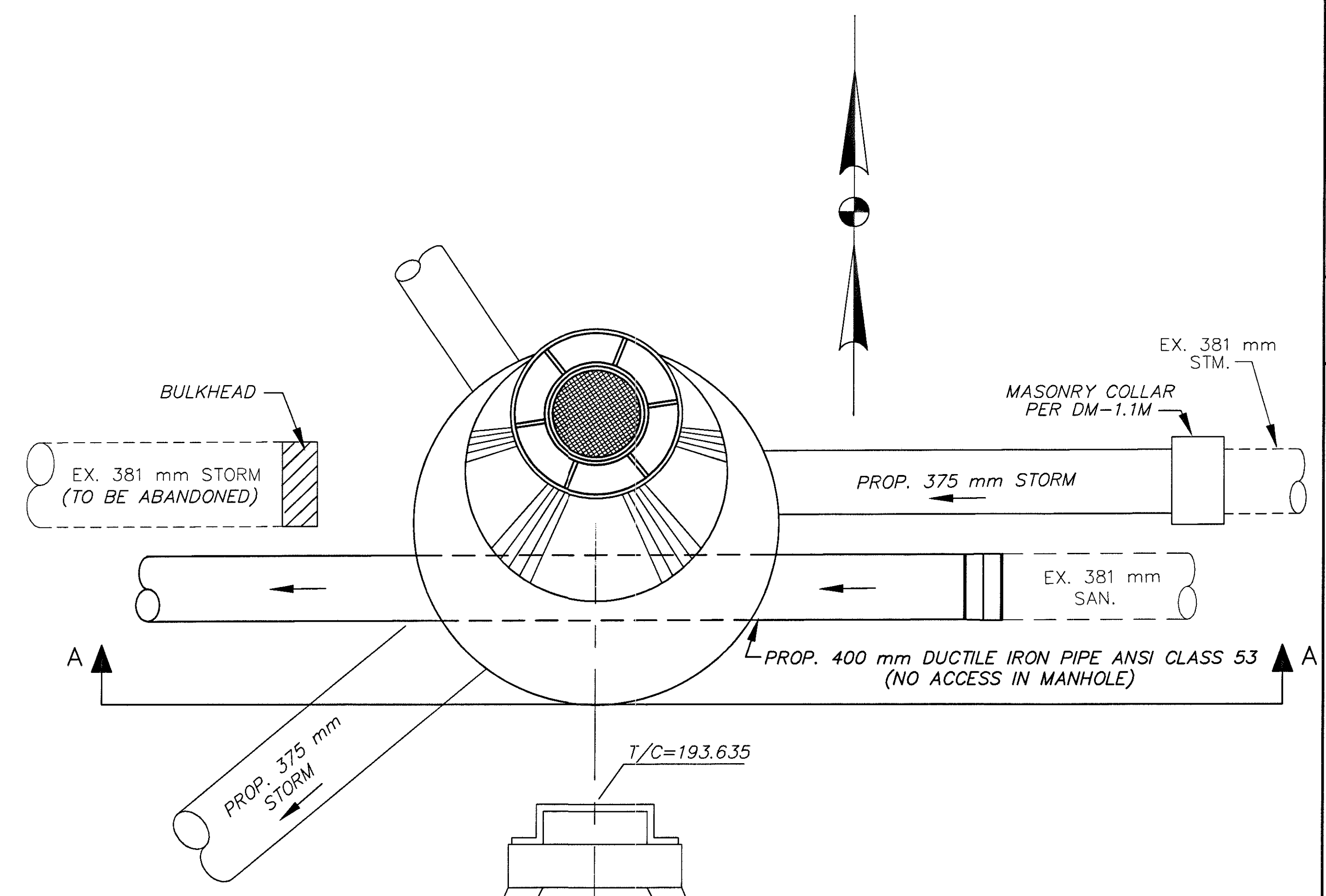
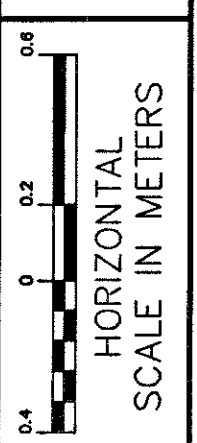


SECTION A-A  
STA. 4+814.75, 22.25 m RT.



SECTION A-A  
STA. 4+825.0, 0.3 m LT.



CALC. BY:  
CHECKED BY:

DRAINAGE DETAILS  
MANHOLES NO. 3, AS PER PLAN TYPE A

LAK-640-3.444