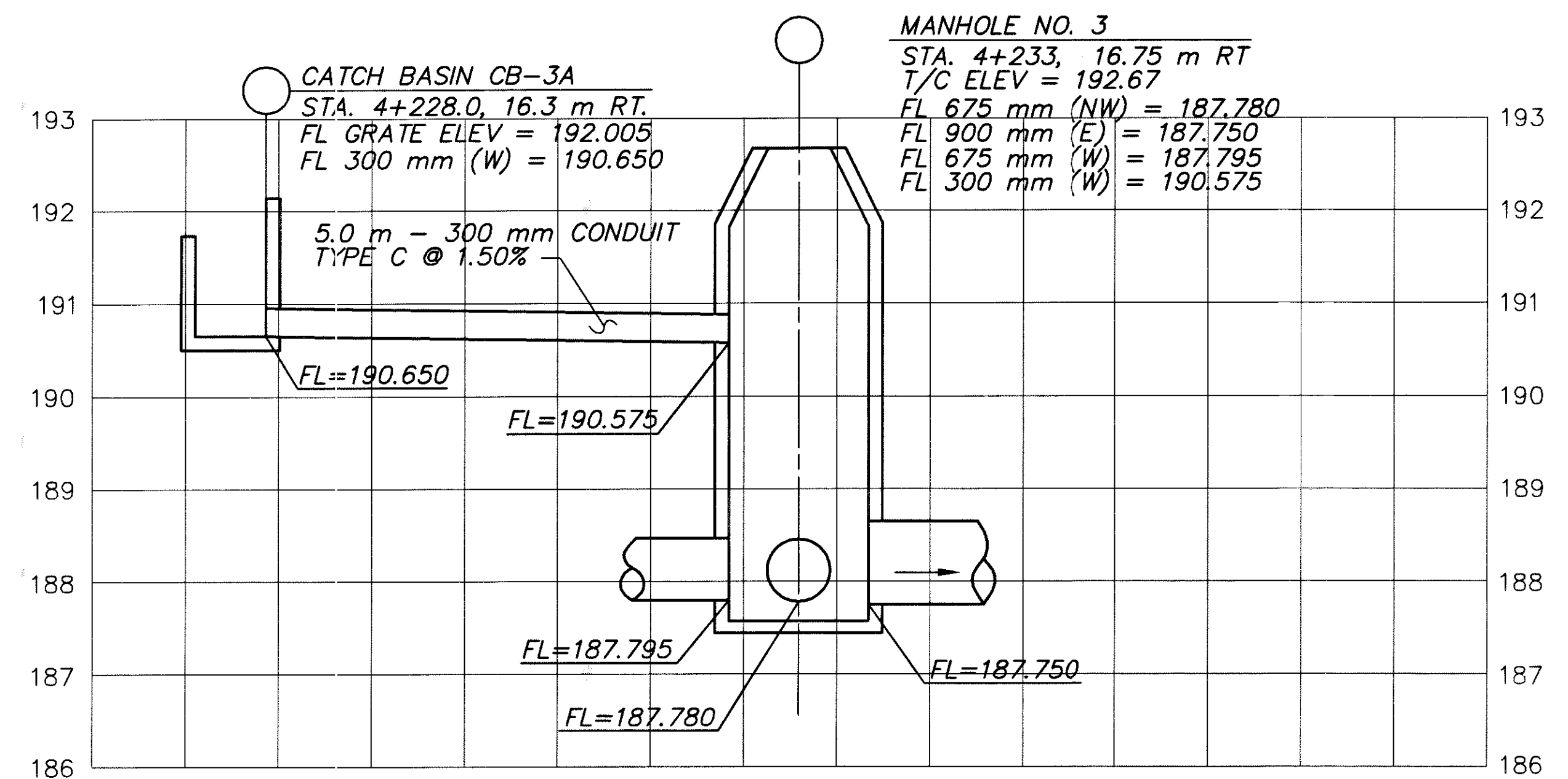
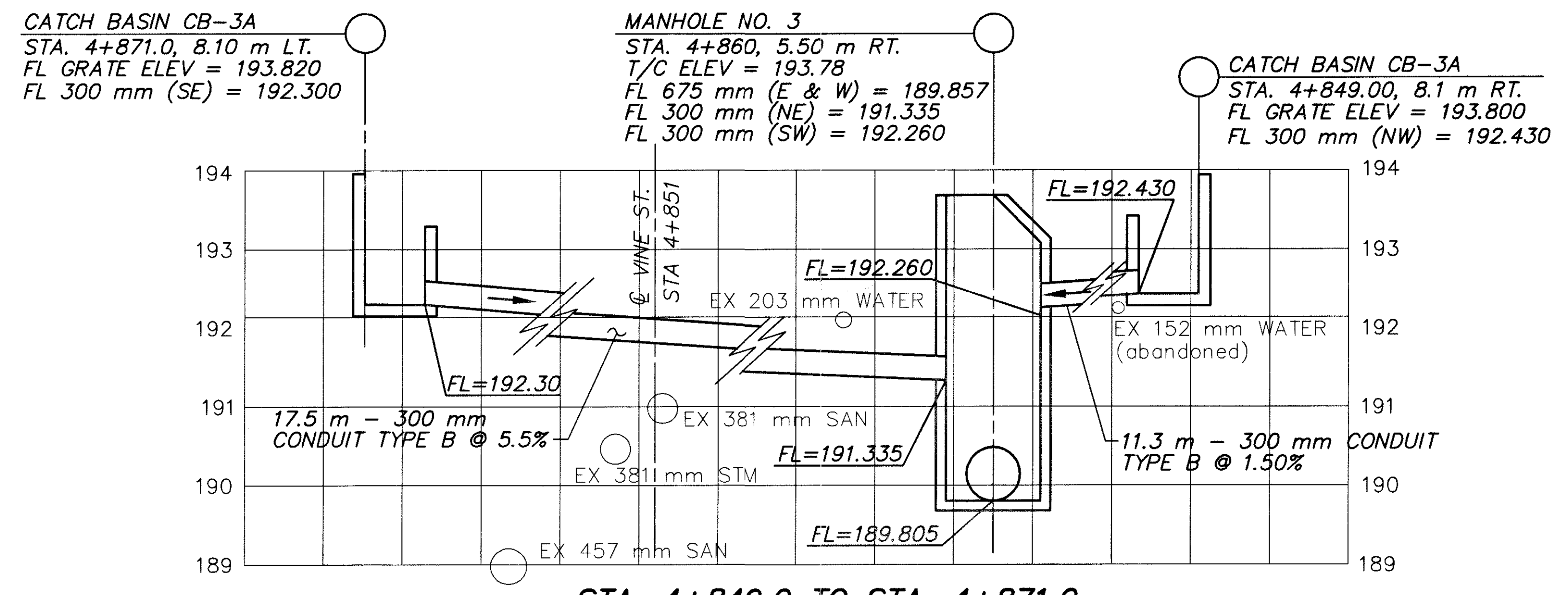


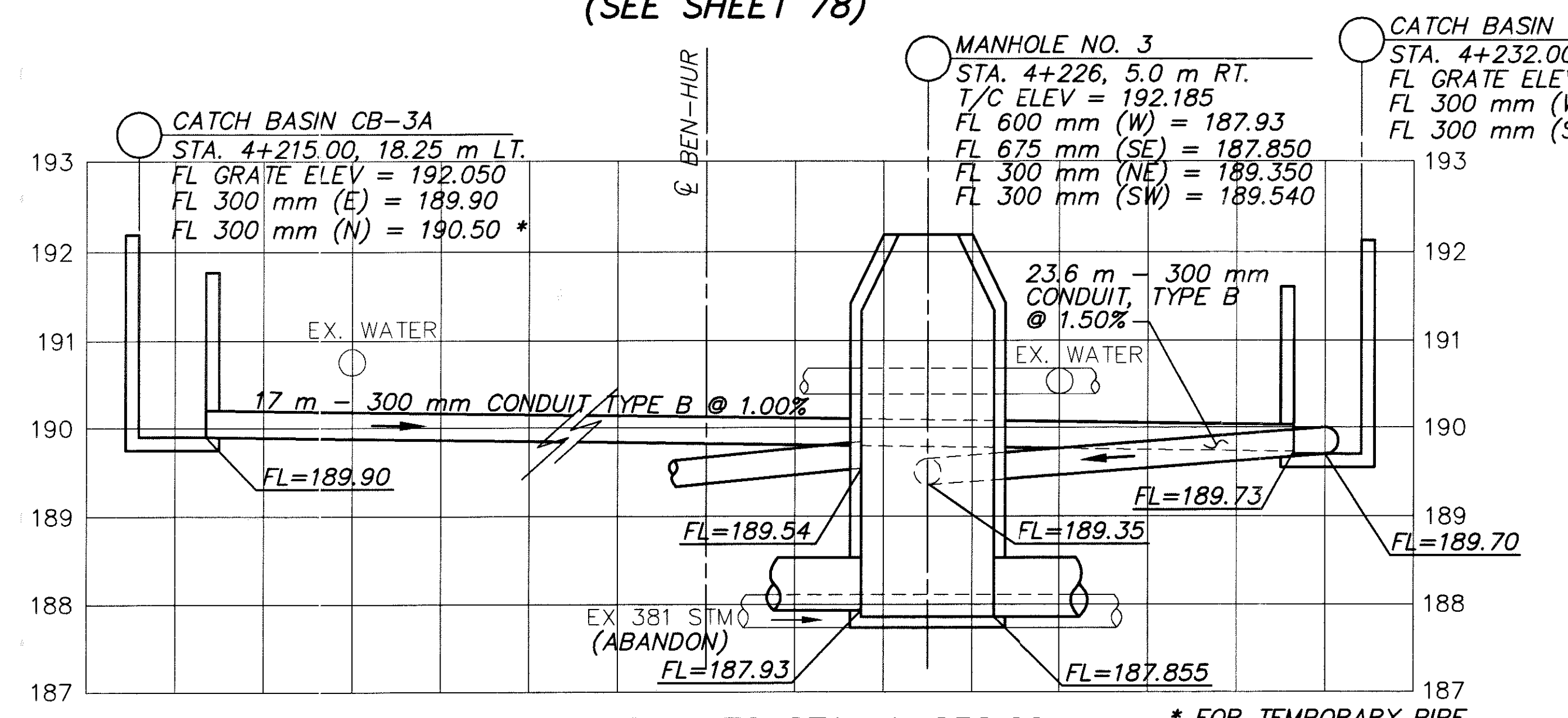
STA. 4+569.06 TO STA. 4+570.09
(SEE SHEET 83)



STA. 4+228.05 TO STA. 4+233.00
(SEE SHEET 78)

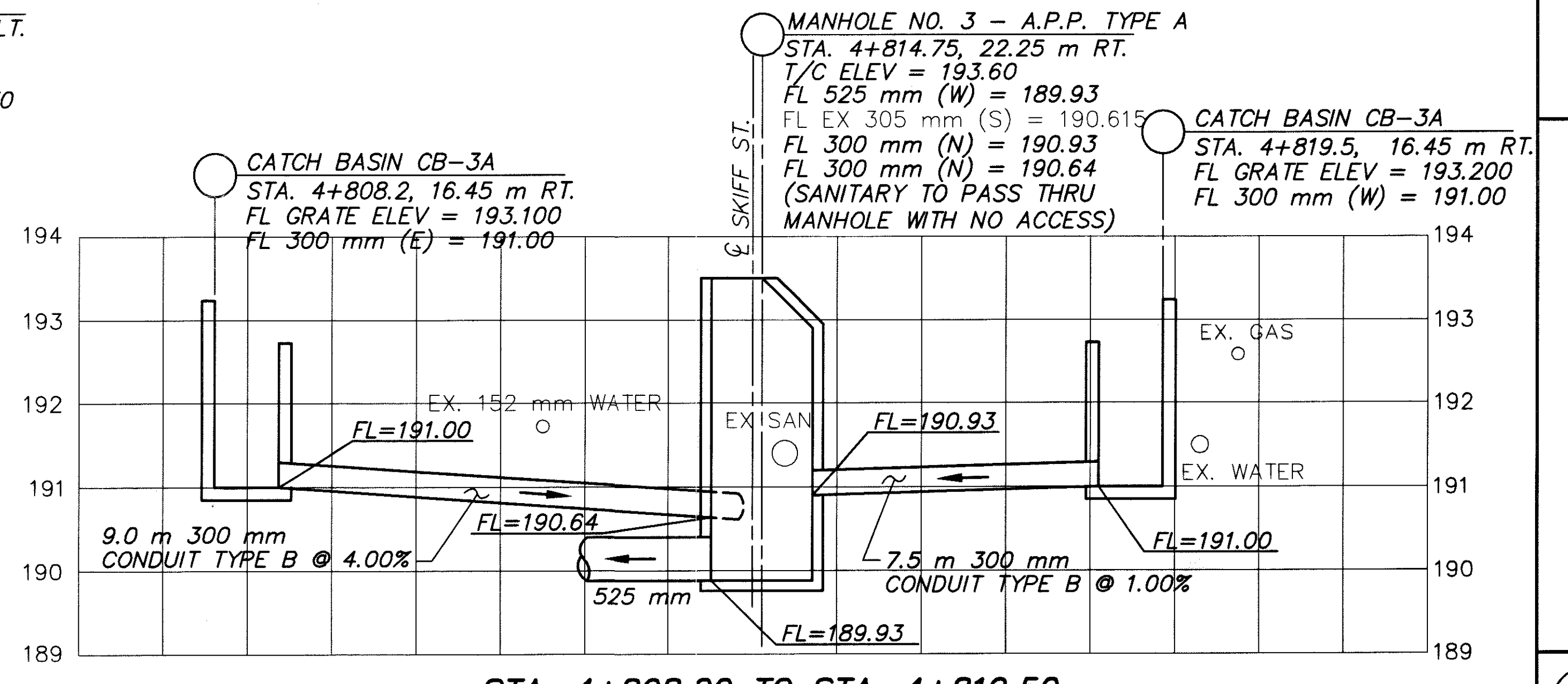


STA. 4+849.0 TO STA. 4+871.0
(SEE SHEET 87)



STA. 4+215.00 TO STA. 4+232.00
(SEE SHEET 78)

* FOR TEMPORARY PIPE
(TO BE BULKHEADED DURING
PHASE II CONSTRUCTION)



STA. 4+808.20 TO STA. 4+819.50
(SEE SHEET 87)

REFER TO SHT. 186
FOR TYPE-A MANHOLE DETAILS