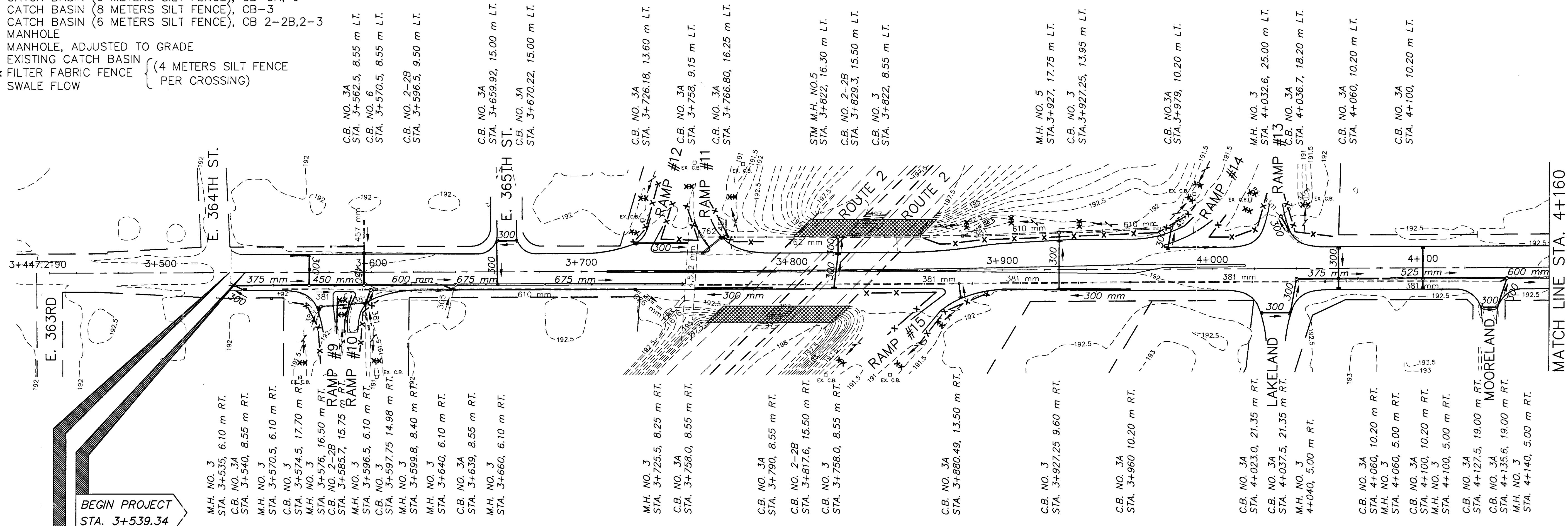


LEGEND

- CONCRETE SLOPE PROTECTION
- CATCH BASIN (6 METERS SILT FENCE), CB-3A, 6
- CATCH BASIN (8 METERS SILT FENCE), CB-3
- CATCH BASIN (6 METERS SILT FENCE), CB 2-2B, 2-3
- MANHOLE
- MANHOLE, ADJUSTED TO GRADE
- EXISTING CATCH BASIN
- FILTER FABRIC FENCE (4 METERS SILT FENCE PER CROSSING)
- SWALE FLOW



BEGIN PROJECT
STA. 3+539.34

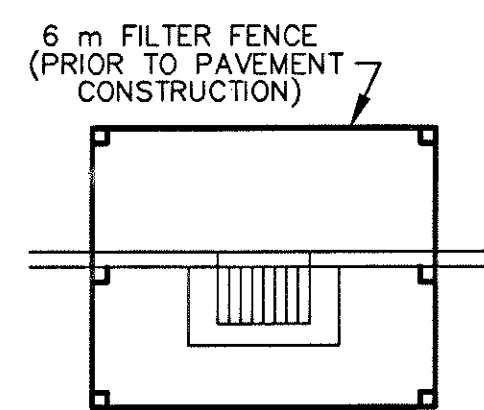
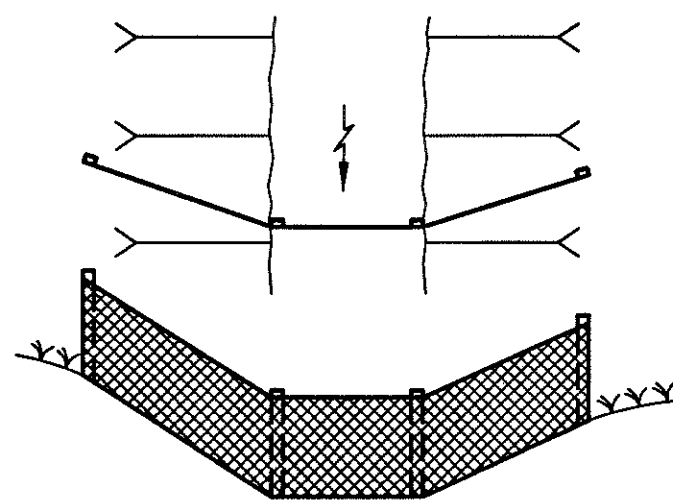
BEGIN WORK
STA. 3+532.6

PROJECT DESCRIPTION

USGS QUADRANT NO. 41081-F4
EASTLAKE, OHIO
LONGITUDE: 81°25'05"
LATITUDE: 41°38'33"

* LONGITUDE AND LATITUDE TO APPROX. CENTER OF PROJECT

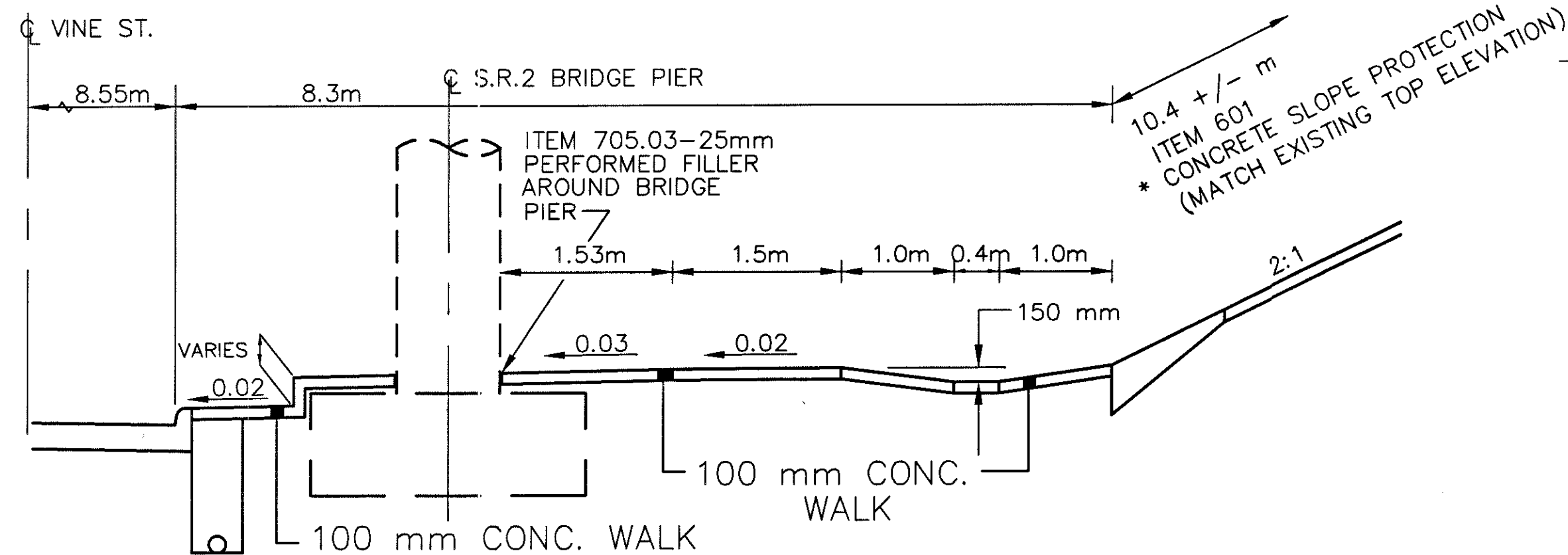
THIS PROJECT CONSIST OF TOTAL REPLACEMENT OF APPROXIMATELY 1.90 KILOMETERS OF FOUR LANE DIVIDED AND UNDIVIDED, URBAN ARTERIAL ROADWAY, SITUATED IN THE CITY OF WILLOUGHBY. THE PROJECT HAS AN EAST-WEST ORIENTATION STARTING APPROXIMATELY AT EAST 364th ST. AND ENDING AT STATE ROUTE 20, ERIE ST. .



NOTE:

*EXISTING CONCRETE SLOPE PROTECTION REMOVAL AT THE STATE ROUTE 2 OVERPASS SHALL BE INCLUDED IN THE CONTRACT BID PRICE FOR PAVEMENT REMOVED. THE EXISTING 1250 SQ. M. HAS BEEN CALCULATED ON SHEET 56.

*SEEDING AND MULCHING QUANTITY IS CALCULATED BY USING 5m STRIP TIMES THE DISTANCE DISTURBED ALONG EACH RAMP.



CONCRETE WALK DETAIL UNDER LAK-2-0401 BRIDGE

STA. 3+769.91 TO 3+837.20 RIGHT (67.29m)
STA. 3+791.30 TO 3+858.70 LEFT (67.40)

PROJECT DATA	
TOTAL AREA (RIGHT-OF-WAY)	= 23.5 AC.
AREA TO UNDERGO EXCAVATION, FILLING, OR GRADING	= 16.7 AC.
RUNOFF COEFFICIENT FOR PRE-CONSTRUCTION SITE	= .79
RUNOFF COEFFICIENT FOR POST CONSTRUCTION SITE	= .79
SOIL DATA	SEE SOIL PROFILES
IMMEDIATE RECEIVING WATERS	CHAGRIN RIVER

ESTIMATED QUANTITIES

ITEM NO.		877	877	870	870
LOCATION	SIDE	TEMPORARY FILTER PERIMETER FABRIC FENCE	METERS	METERS	
		TEMPORARY INLET PROTECTION FABRIC FENCE			
		SEEDING AND MULCHING	SQ. M.		
		COMMERCIAL FERTILIZER	KG.		
CATCH BASINS NO. 3A, 2-2B	L&R		162		
CATCH BASINS NO. 3	L&R		48		
EXISTING CATCH BASINS	L&R		80		
SWALE CROSSING	L&R	68			
RAMPS #9 & #10	R	104			
RAMPS #11 & #12	L	107			
RAMPS #15	R	102			
3+870 TO 3+990	L	120			
RAMP #13 & #14		89			
STA. 3+540 TO STA. 4+160	L&R			962	28
TOTAL CARRIED TO SHEET 67		590	290	962	28

STORM WATER POLLUTION PREVENTION PLAN
STA. 3+447 TO STA. 4+160

LAK-640-3.444