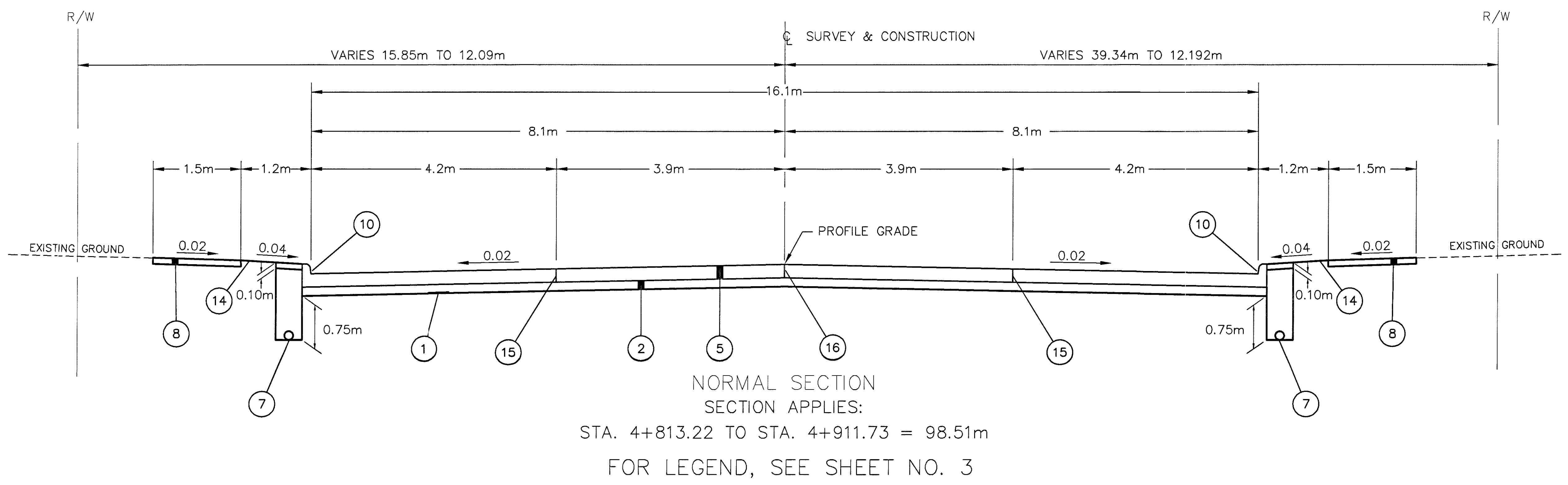
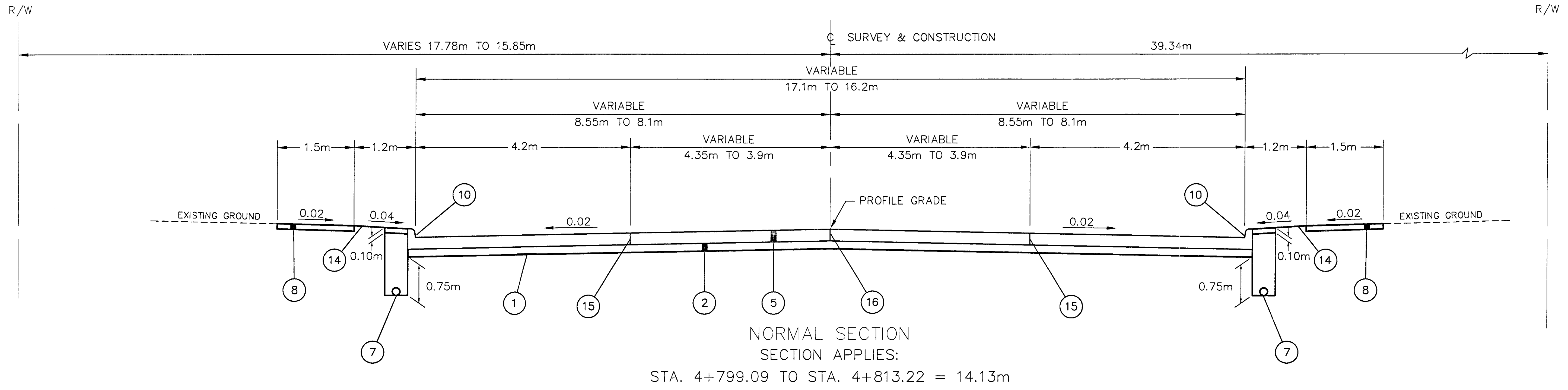


TYPE 451 VINE STREET



CALCULATED
 CHECKED
 TYPICAL SECTION
 STA. 4+799.09 TO STA. 4+911.73
 LAK-640-3.444
 8
 214