

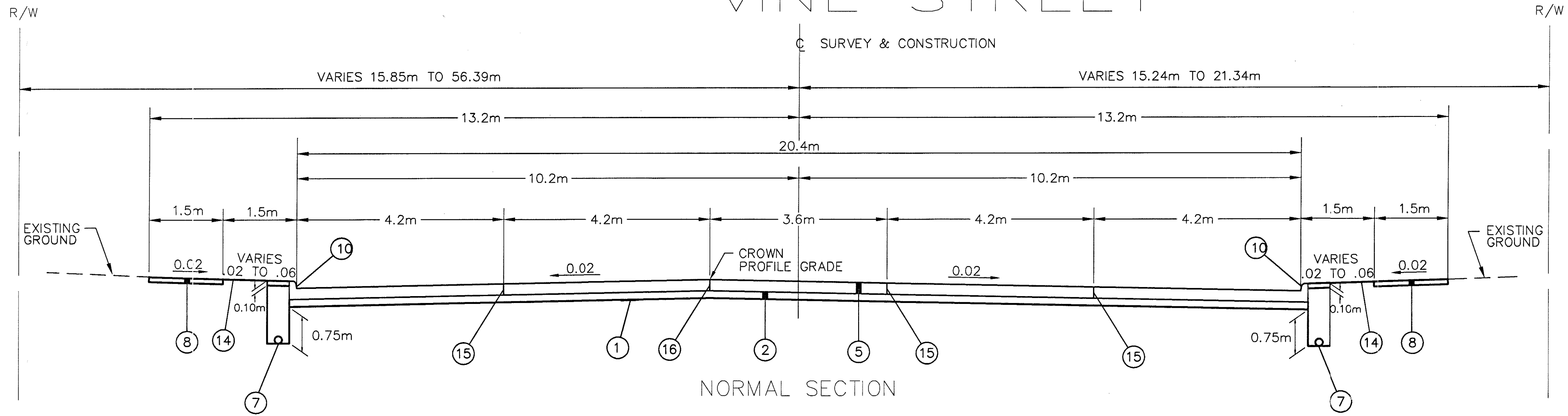
TYPE 451 VINE STREET

CALCULATED
CHECKED

TYPICAL SECTION
STA. 4+015.15 TO STA. 4+358.65

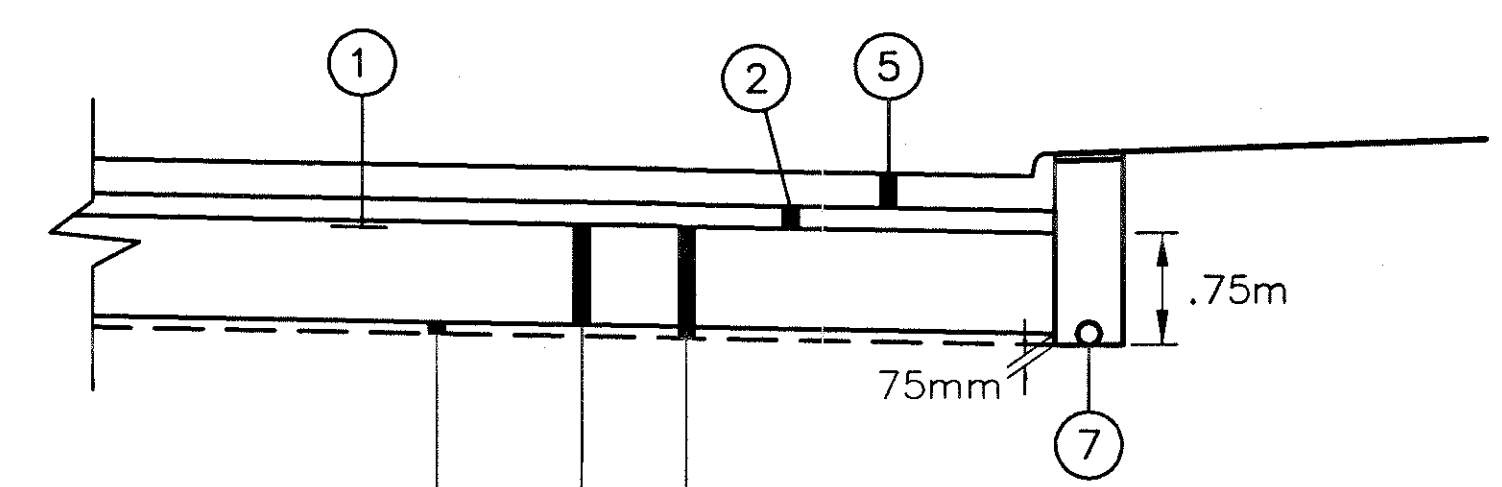
LAK-640-3.444

5
214



NORMAL SECTION

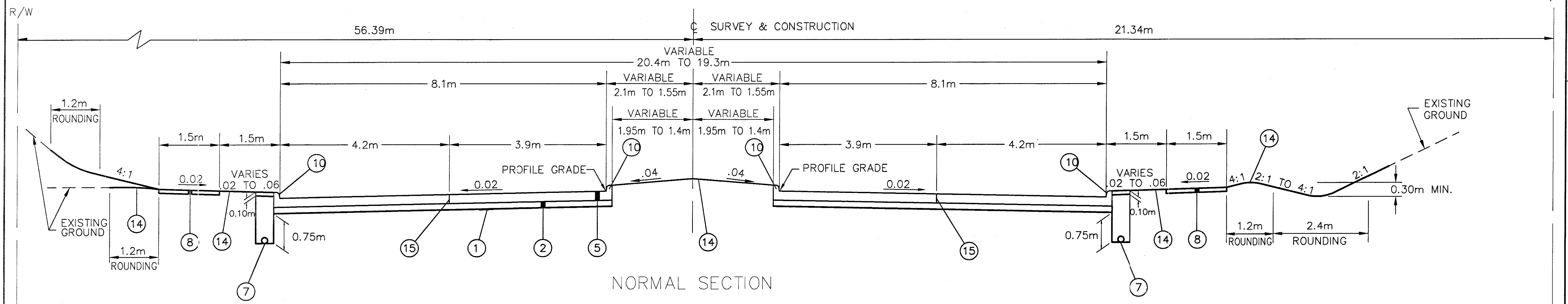
SECTION APPLIES:
STA 4+015.15 TO STA 4+236.73 = 221.58m



- ITEM 203 - UNDERCUT, AS DIRECTED BY ENGINEER
- ITEM 203 - GRANULAR MATERIAL TO BE USED AS BACKFILL
- ITEM 203 - EMBANKMENT

* NOTE: IF UNDERCUT DOES NOT EXCEED UNDERDRAIN DEPTH THEN COMPACTED EARTH BACKFILL WILL NOT BE REQUIRED. COMPACTED AND APPROVED EARTH BACKFILL RAISED TO AN ELEVATION OF 75mm (MIN.) ABOVE FLOW LINE OF PROPOSED UNDERDRAIN WITH APPROVED SLOPE TO MAINTAIN POSITIVE DRAINAGE.

UNDERCUT DETAIL



NORMAL SECTION

SECTION APPLIES:
STA. 4+236.73 TO STA. 4+358.65 = 121.92m

FOR LEGEND, SEE SHEET NO. 3

NOTE: GRADING BEHIND CONCRETE WALK APPLIES TO EITHER SIDE OF VINE STREET.