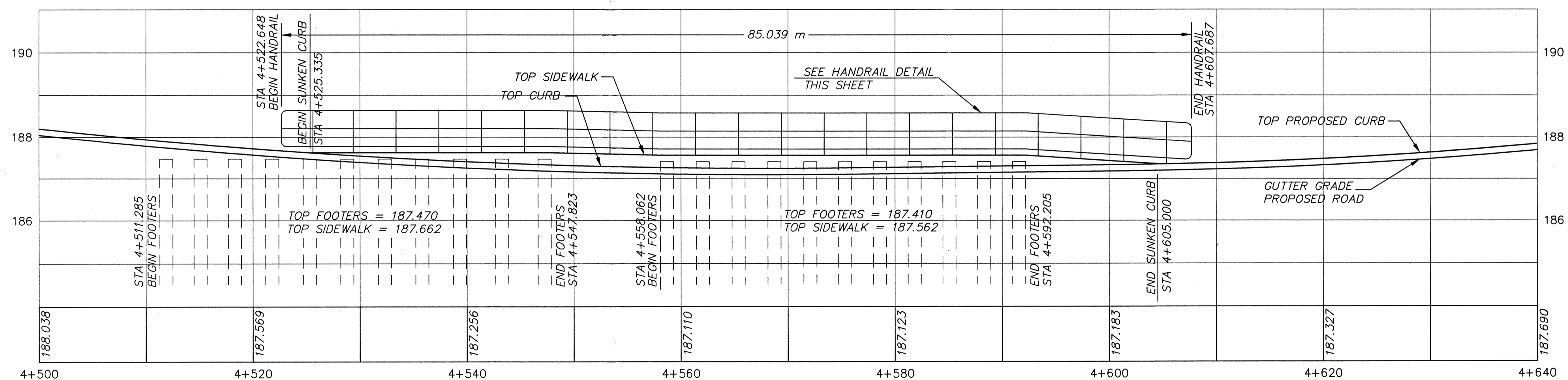
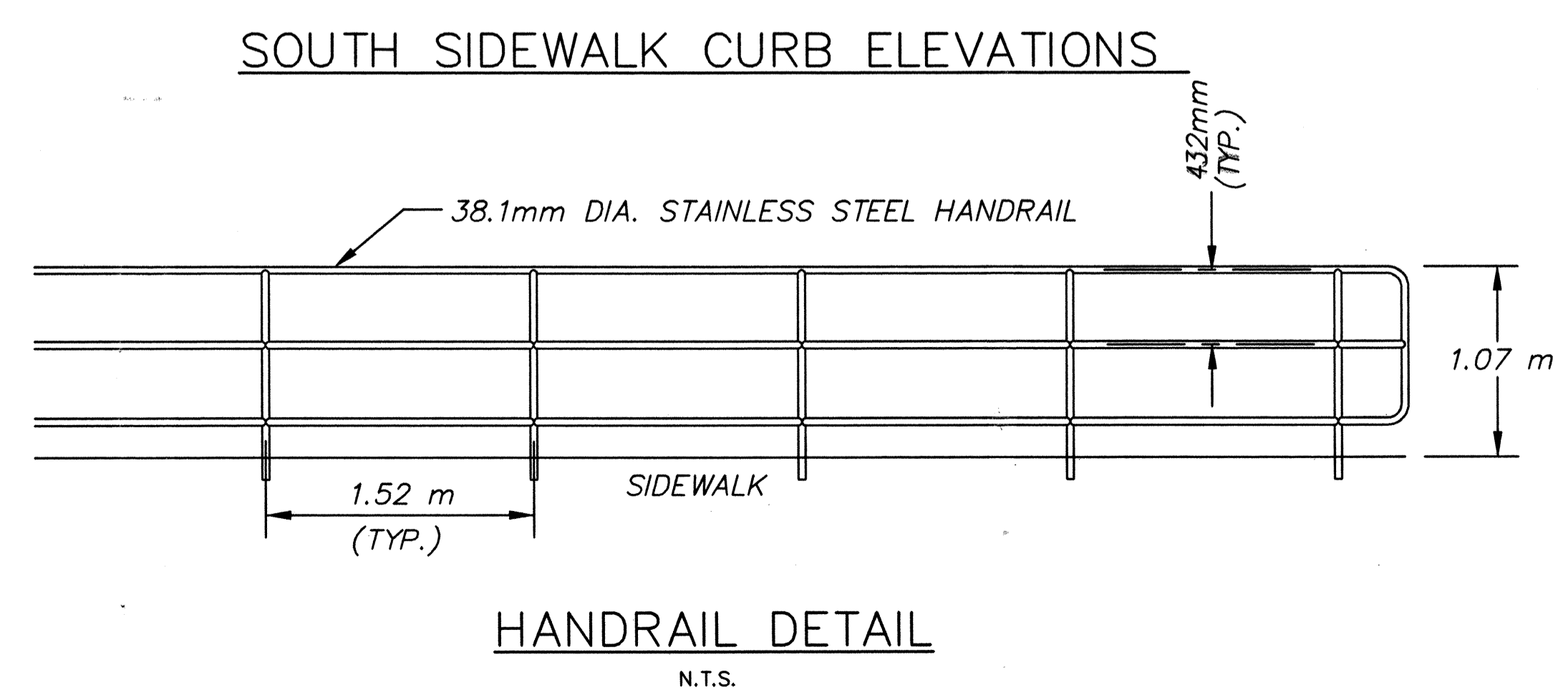
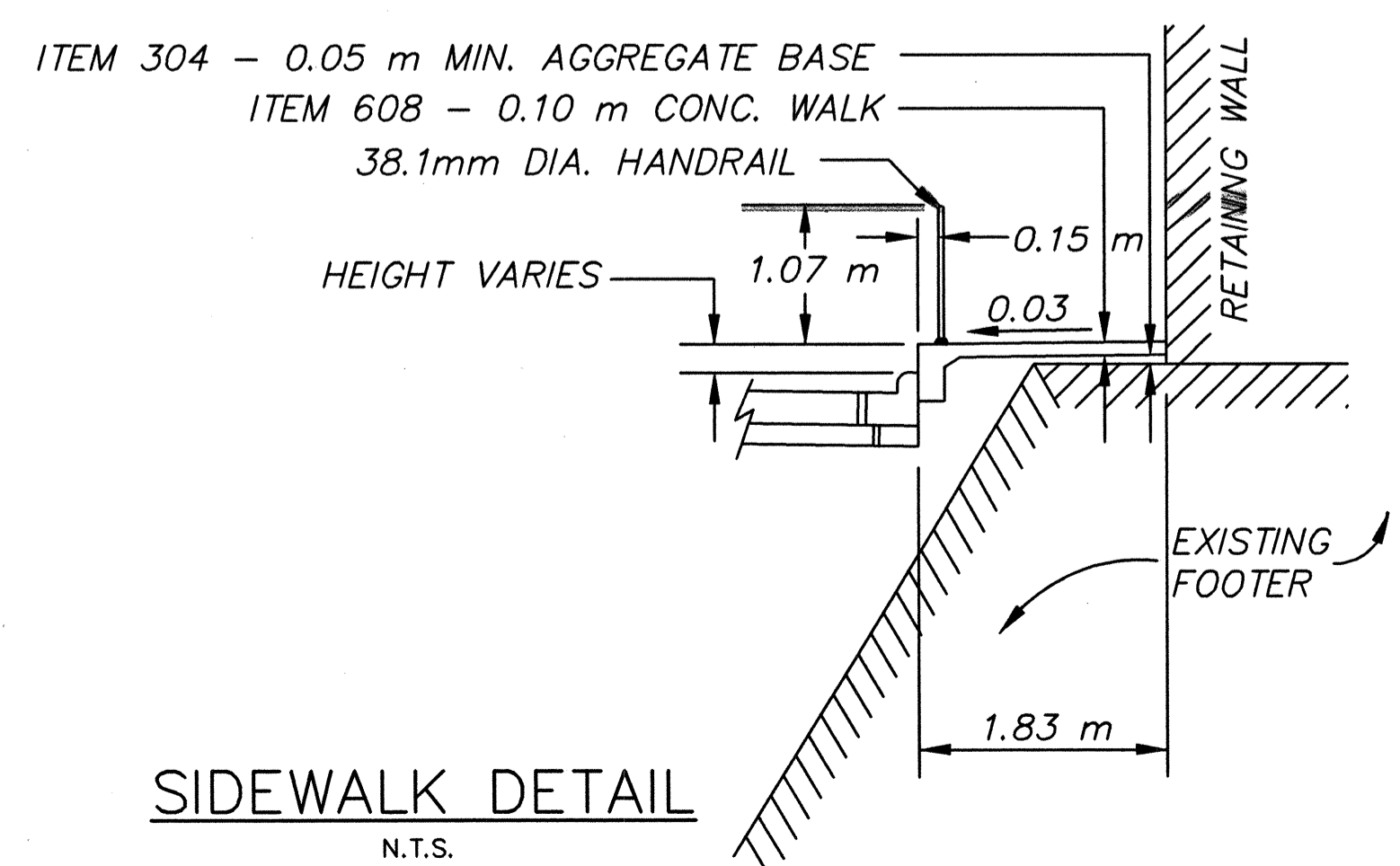


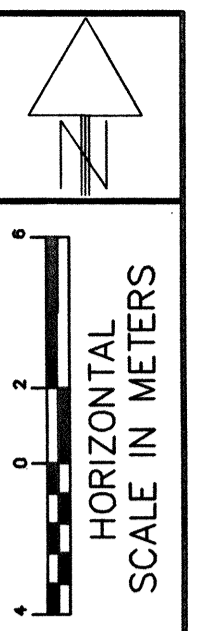
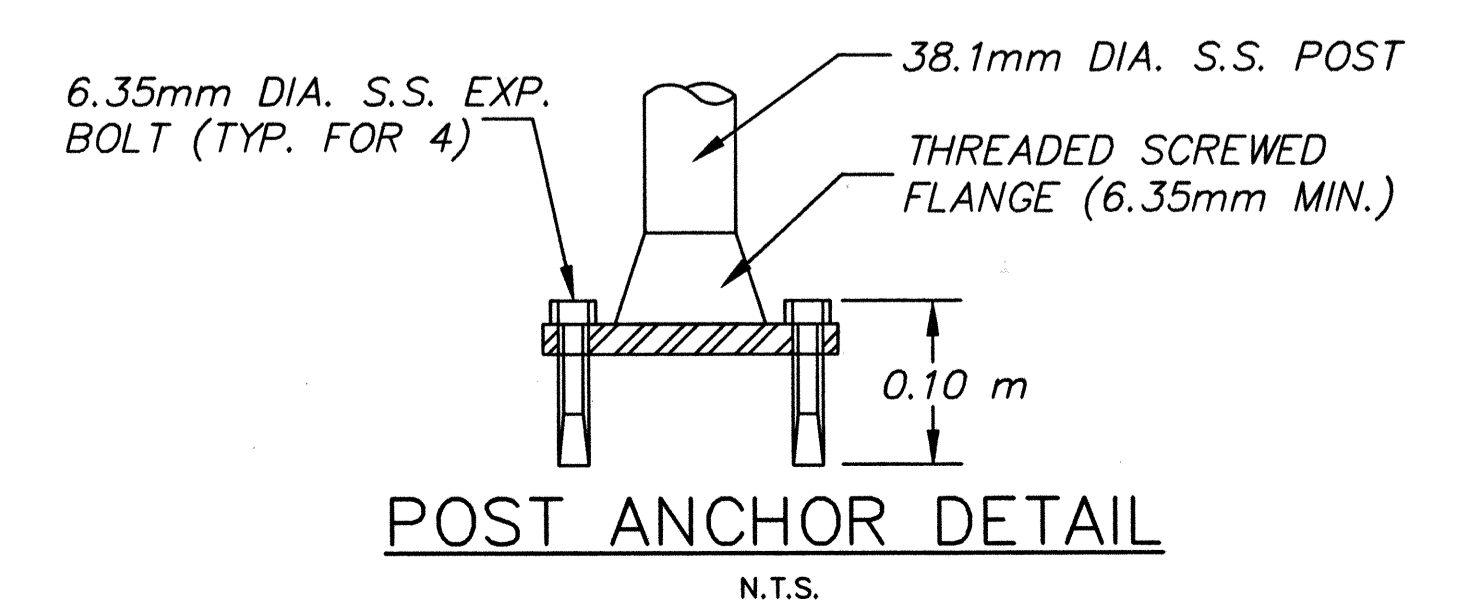
NORTH SIDEWALK CURB ELEVATIONS



SOUTH SIDEWALK CURB ELEVATIONS



RAILING MISCELLANEOUS		
STATION TO STATION	SIDE	METERS
4+532.546 TO 4+628.236	L	95.69
4+522.648 TO 4+607.687	R	85.04
TOTAL CARRIED TO GENERAL SUMMARY		180.73



CALC. BY:
CHECKED BY:

SIDEWALK ELEVATIONS

LAK-640-3.444