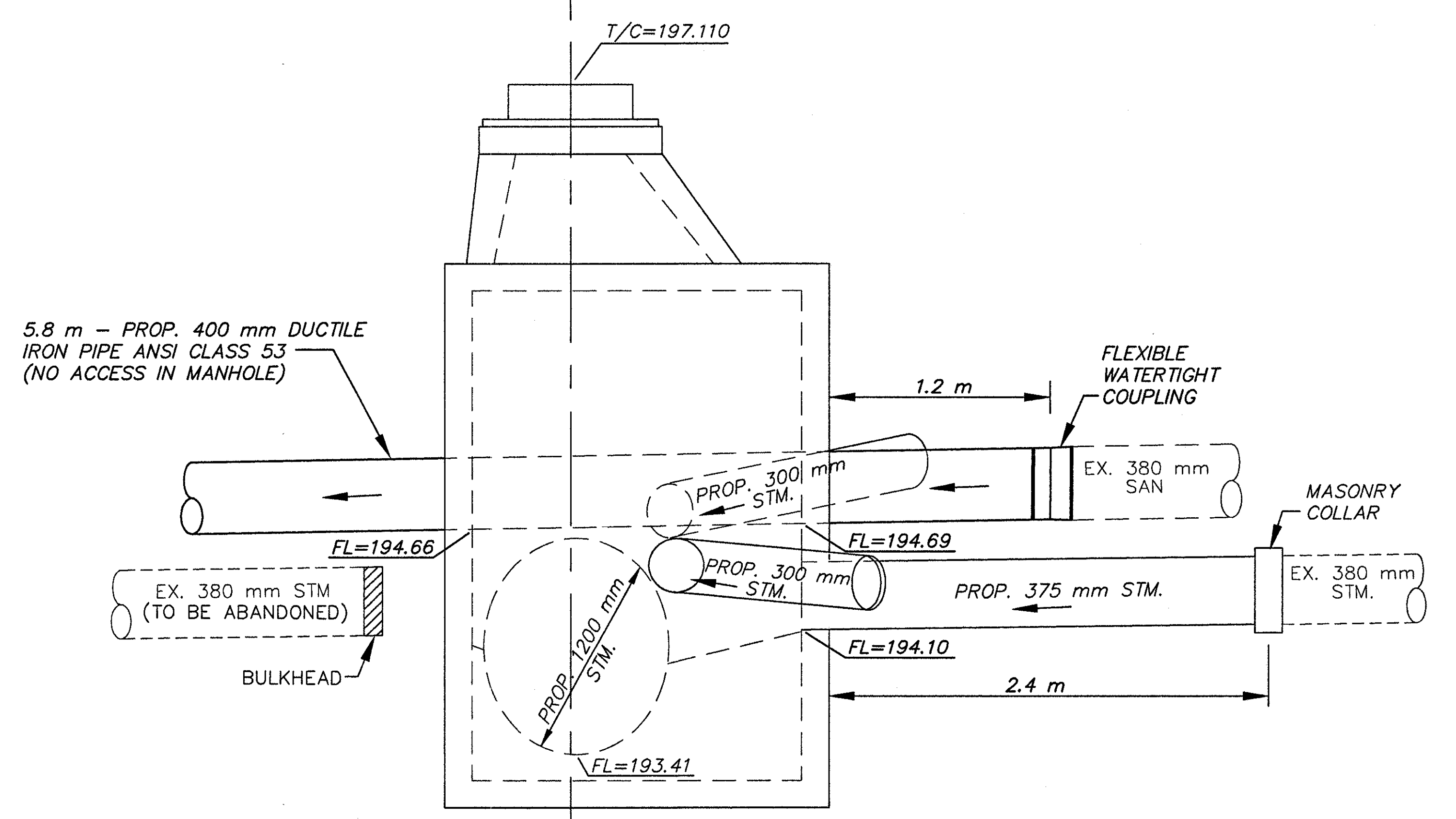
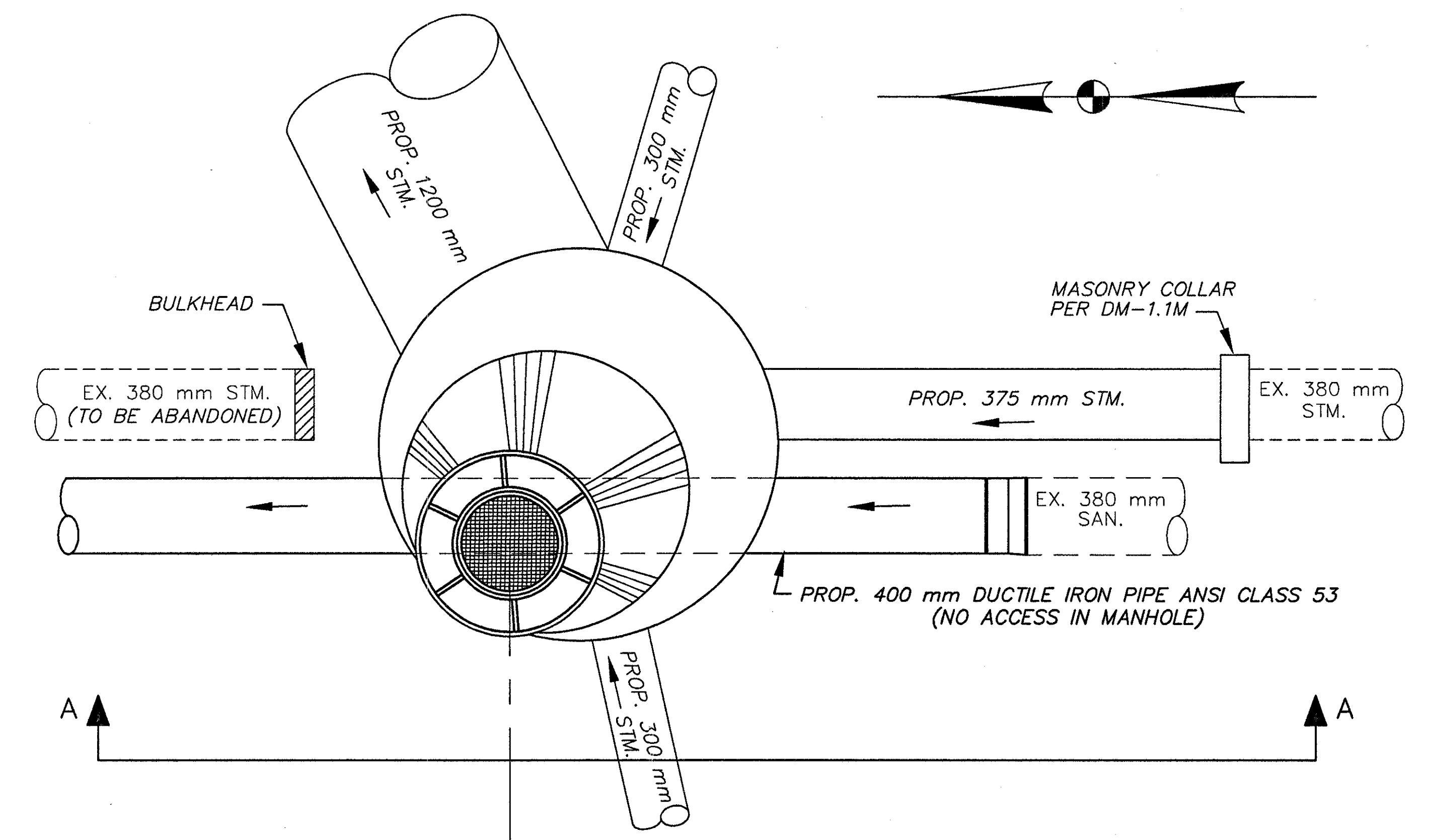
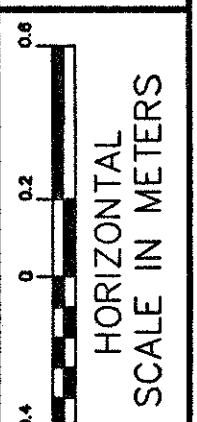


SECTION A-A
STA. 5+042.0, 11.5 m RT.



SECTION A-A
STA. 5+208.0, 10.5 m RT.



CALC. BY:
CHECKED BY:

MANHOLES NO. 3, AS PER PLAN TYPE A

LAK-640-3.444