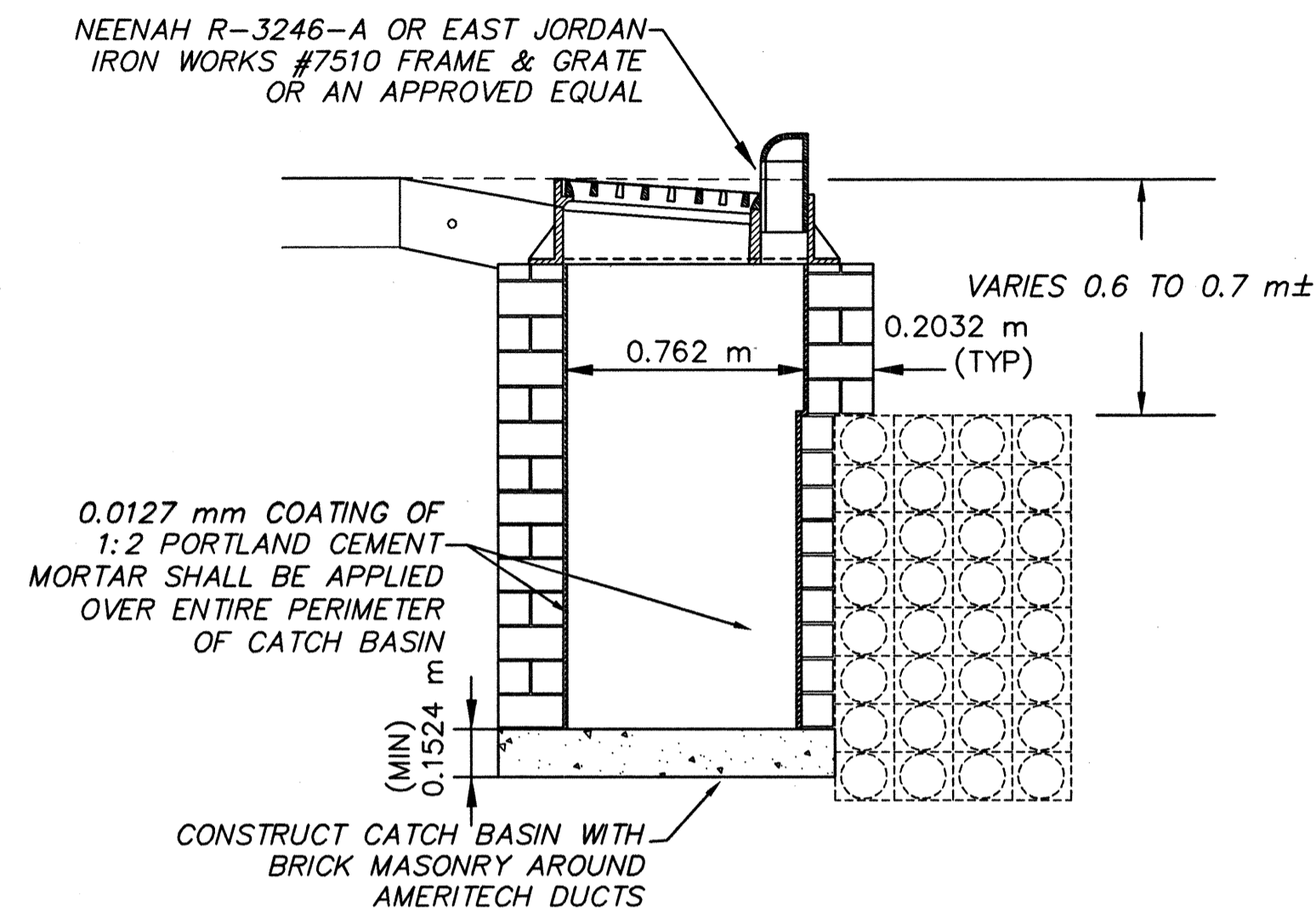
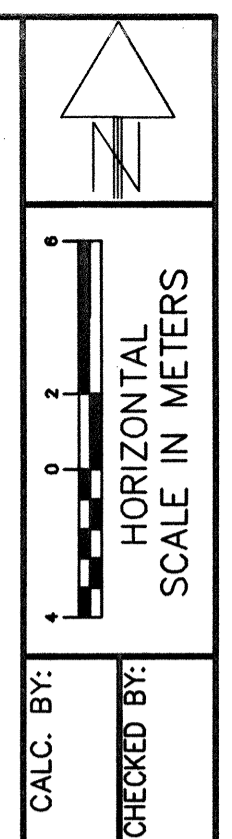
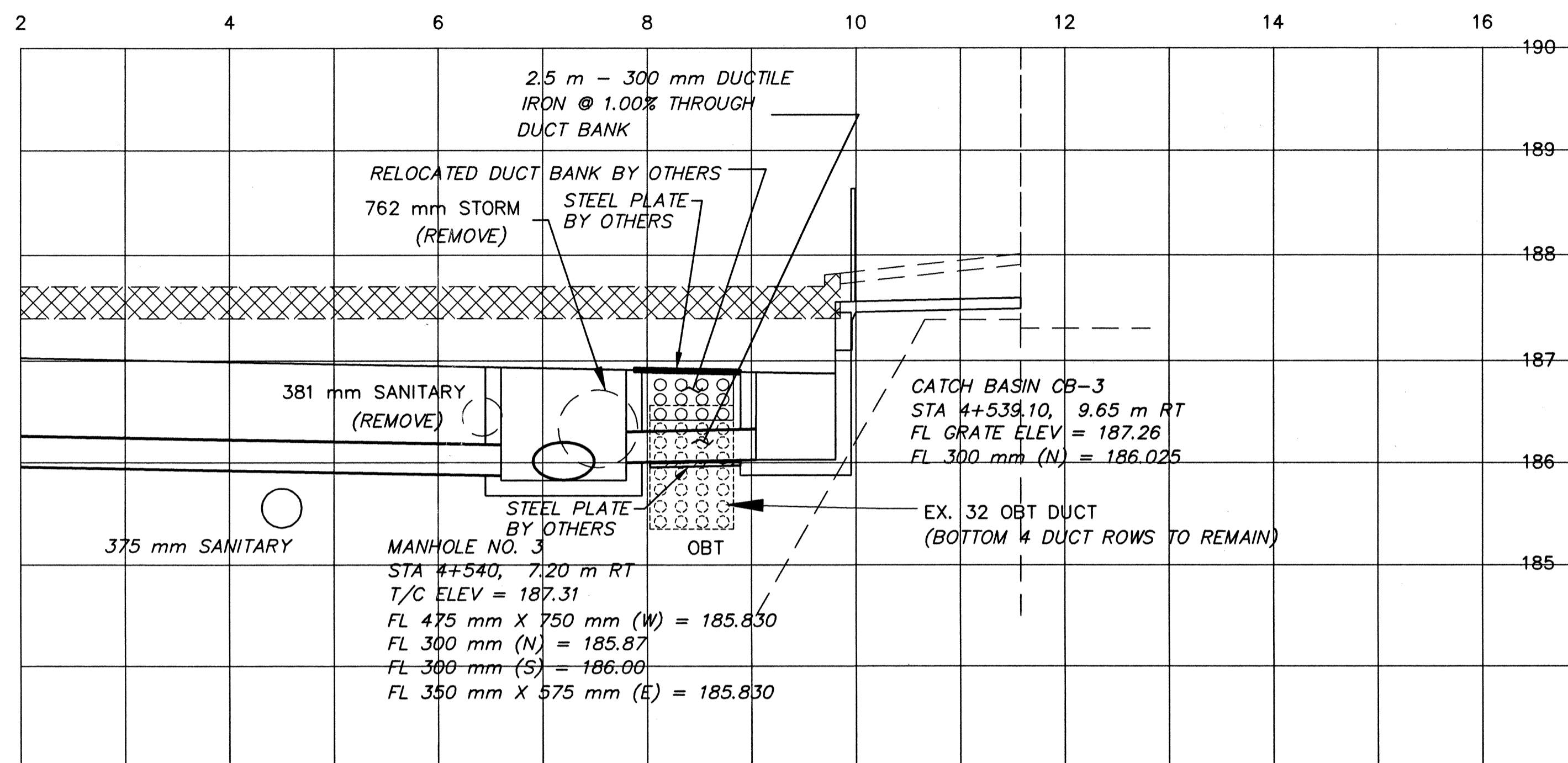


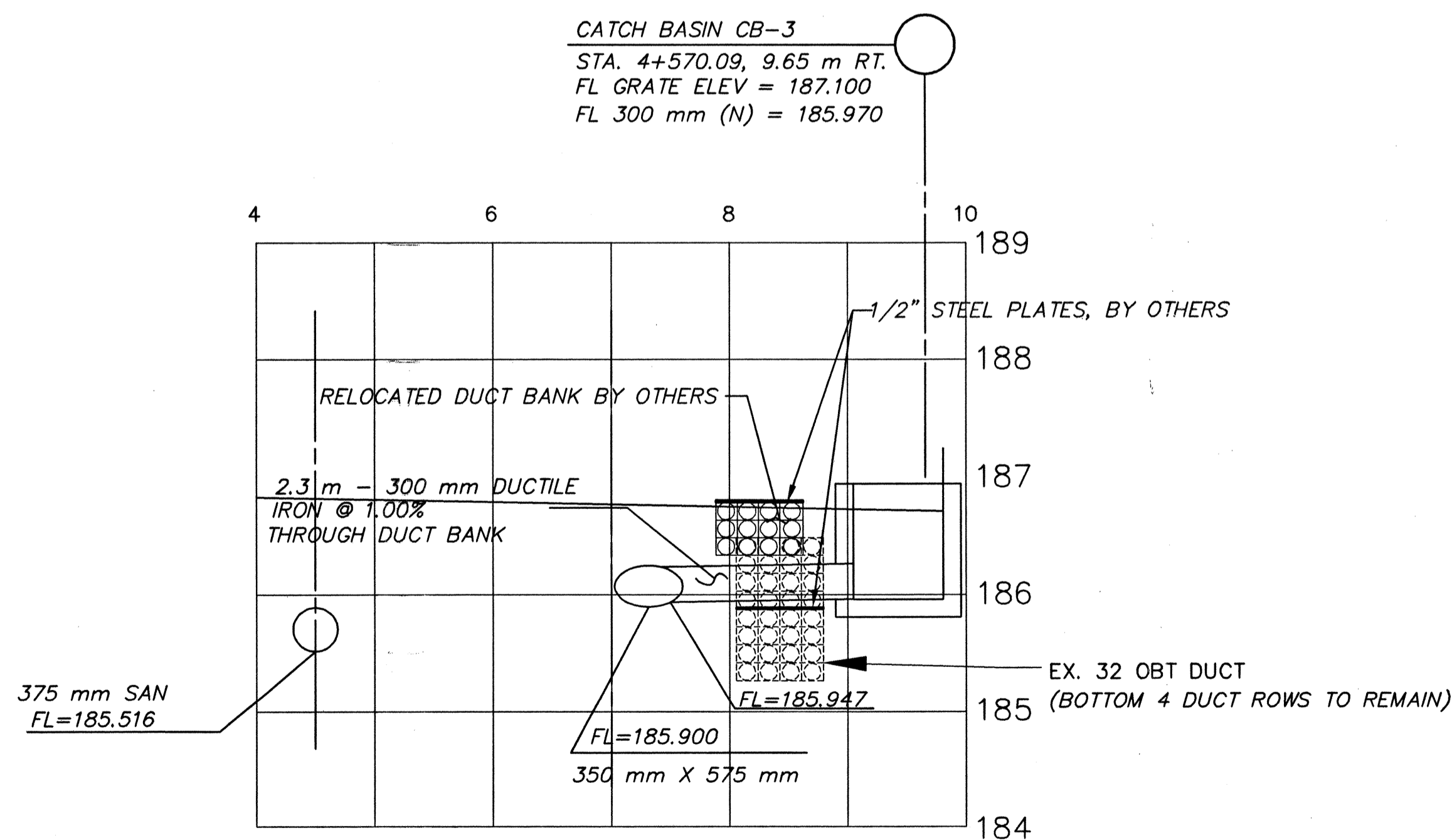
DRAINAGE DETAILS



CATCH BASIN NO. 3A, A.P.P., TYPE A
STA. 4+904 AND STA. 5+140



SHIFT PROPOSED MANHOLE NORTH TO ACCOMODATE EXISTING AMERITECH DUCTS
MANHOLE STA. 4+540 RT.



CATCH BASIN STA. 4+570.09 RT.

DRAINAGE DETAILS

LAK-640-3.444

183A
214