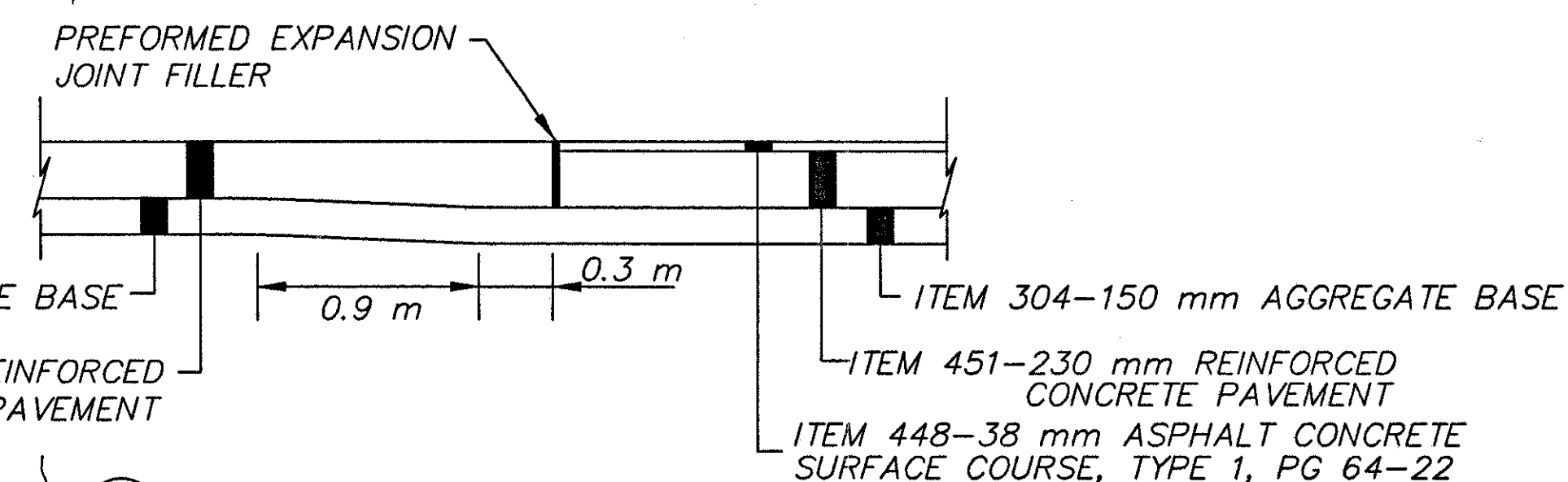
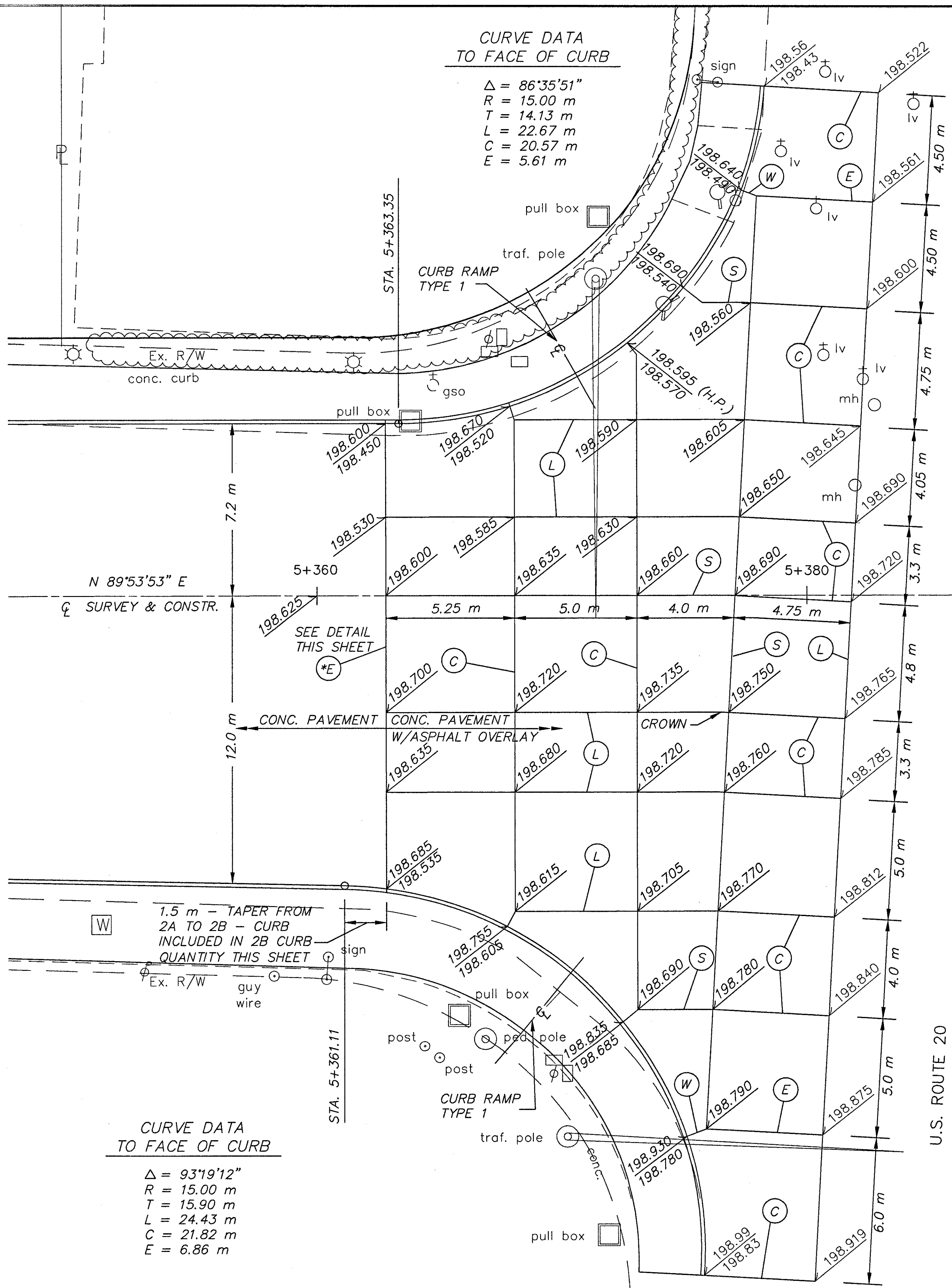


**CURVE DATA  
TO FACE OF CURB**

$\Delta = 86^{\circ}35'51''$   
 $R = 15.00 \text{ m}$   
 $T = 14.13 \text{ m}$   
 $L = 22.67 \text{ m}$   
 $C = 20.57 \text{ m}$   
 $E = 5.61 \text{ m}$

**CURVE DATA  
TO FACE OF CURB**

$\Delta = 93^{\circ}19'12''$   
 $R = 15.00 \text{ m}$   
 $T = 15.90 \text{ m}$   
 $L = 24.43 \text{ m}$   
 $C = 21.82 \text{ m}$   
 $E = 6.86 \text{ m}$



**(\*E) THICKENED EDGE EXPANSION JOINT**  
 DETAIL TO BE USED IN CONJUNCTION WITH  
 EXPANSION JOINT DETAIL, B.P.-2.2 M

\*NOTE: CONTRACTOR SHALL TRY TO  
 ALIGN JOINT PATTERN WITH  
 EXISTING PATTERN ON ERIE ST.

ALL GRADES SHOWN ARE FINISHED GRADES

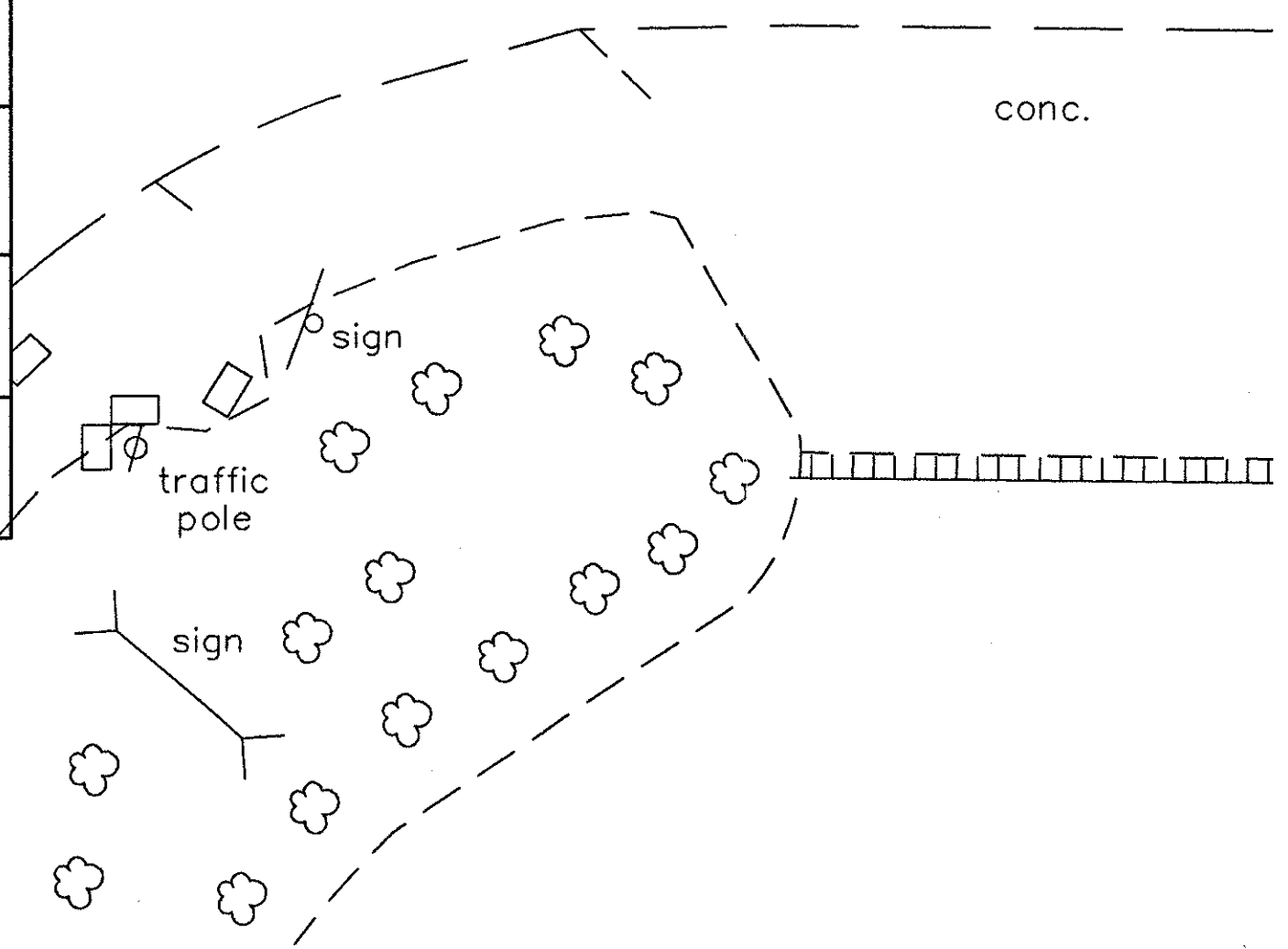
EXCAVATION AND EMBANKMENT  
 QUANTITIES FOR THIS AREA  
 CALCULATED ON CROSS SECTIONS  
 FOR VINE STREET. SEE SHEET 145

CONTRACTOR SHALL MATCH TOP  
 CONCRETE BASE ON ERIE STREET.  
 SEE DETAIL SHEET 189

**LEGEND**

- (C) CONTRACTION JOINT AS PER B.P.-2.2M
- (L) LONGITUDINAL JOINT AS PER B.P.-2.1M
- (S) LONGITUDINAL JOINT AS PER B.P.-2.1M WITHOUT TIE BARS
- (E) EXPANSION JOINT AS PER B.P.-2.2 M
- (W) EXPANSION JOINT AS PER B.P.-2.2 M WITHOUT DOWEL BARS

ITEM	DESCRIPTION	UNIT	QUANTITY
830	CURB TYPE, 2B	m	68.19
608	100 mm CONCRETE WALK	S.M.	107.04
608	CURB RAMP TYPE 1	EA.	2
451	230 mm REINFORCED CONCRETE PAVEMENT	S.M.	621.68
407	TACK COAT	L	279.76
448	ASPHALT CONCRETE, SURFACE COURSE, TYPE 1, PG64-22	C.M.	19.89
304	150 mm AGGREGATE BASE AS PER PLAN	C.M.	93.25
255	FULL DEPTH PAVEMENT SAWING	m	63.71
203	SUBGRADE COMPACTION	S.M.	621.68
202	PAVEMENT REMOVED	S.M.	744.46



EXTRA AREA SHEET  
 U.S. ROUTE 20 (ERIE ST.)

LAK-640-3.444

180  
214