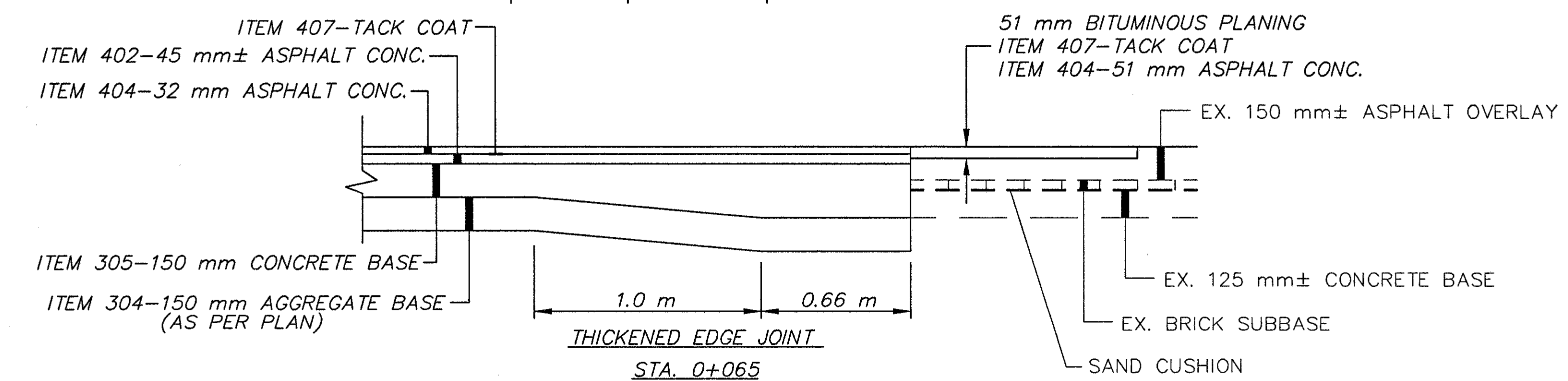


CURVE DATA TO FACE OF CURB

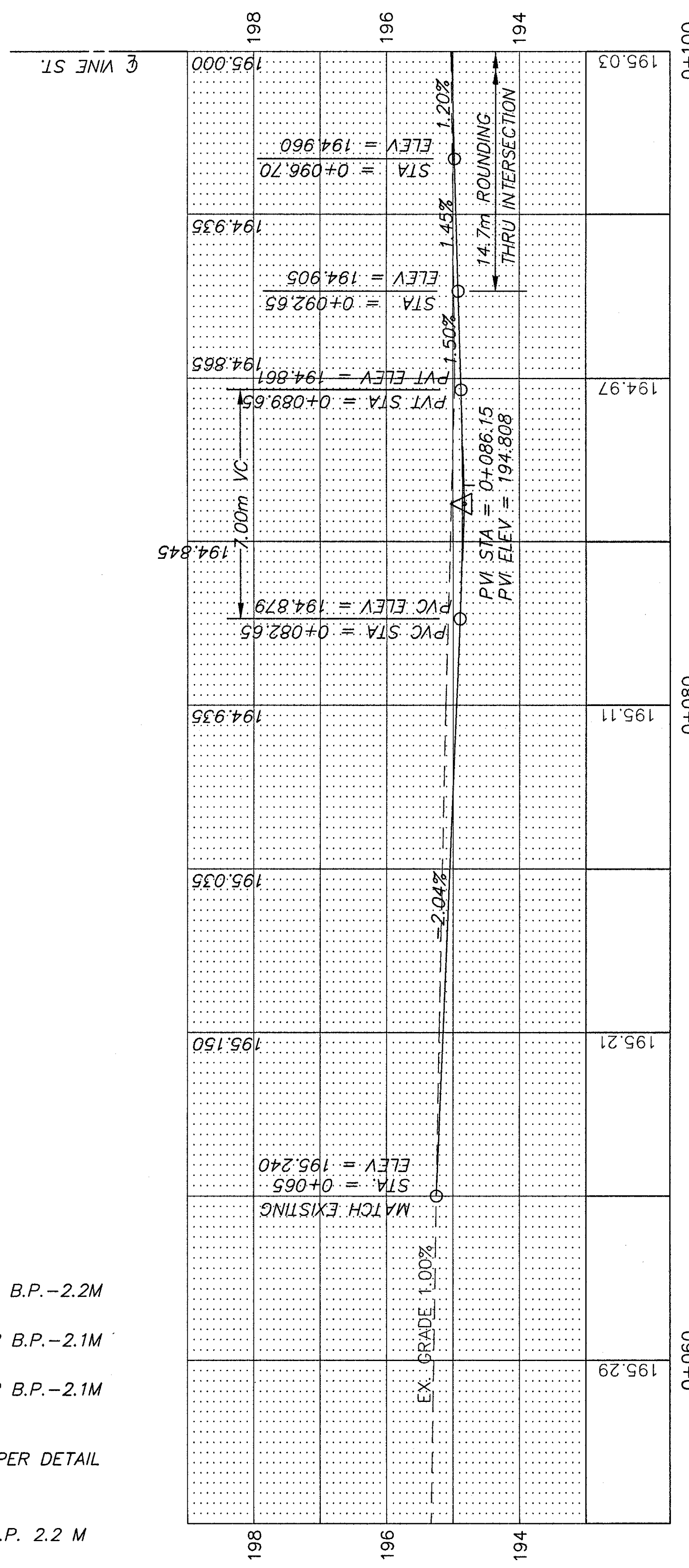
①	②
$\Delta = 88^{\circ}51'15''$	$\Delta = 90^{\circ}16'06''$
$R = 5.00 \text{ m}$	$R = 5.00 \text{ m}$
$T = 4.90 \text{ m}$	$T = 5.02 \text{ m}$
$L = 7.75 \text{ m}$	$L = 7.88 \text{ m}$
$C = 7.00 \text{ m}$	$C = 7.09 \text{ m}$
$E = 2.00 \text{ m}$	$E = 2.09 \text{ m}$



660	SODDING, UNSTAKED, AS PER PLAN	S.M.	58.6
830	CURB TYPE, 2B	m	46.31
830	CURB TYPE, 2A	m	14.52
608	100 mm CONCRETE WALK	S.M.	11.86
608	CURB RAMP TYPE 2	S.M.	2
451	230 mm REINFORCED CONCRETE PAVEMENT	S.M.	169.55
407	TACK COAT	L	78.67
448	ASPHALT CONCRETE, SURFACE COURSE, TYPE 1, PG 64-22	C.M.	5.60
448	ASPHALT CONCRETE INTERMEDIATE COURSE, TYPE 1, PG 64-22	C.M.	7.56
305	150 mm CONCRETE BASE	S.M.	168.05
304	150 mm AGGREGATE BASE AS PER PLAN	C.M.	50.64
255	FULL DEPTH PAVEMENT SAWING	m	6.78
254	BITUMINOUS PLANING	S.M.	6.78
203	SUBGRADE COMPACTION	S.M.	337.60
203	EMBANKMENT	C.M.	1.0
203	EXCAVATION, NOT INCLUDING EMBANKMENT CONSTRUCTION	C.M.	26.11
202	PAVEMENT REMOVED	S.M.	373.85

LEGEND

- (C) CONTRACTION JOINT AS PER B.P.-2.2M
- (L) LONGITUDINAL JOINT AS PER B.P.-2.1M
- (S) LONGITUDINAL JOINT AS PER B.P.-2.1M WITHOUT TIE BARS
- (T) THICKENED EDGE JOINT AS PER DETAIL THIS SHEET
- (E) EXPANSION JOINT AS PER B.P. 2.2 M
- (W) EXPANSION JOINT AS PER B.P. 2.2 M WITHOUT DOWEL BARS



PROPOSED PROFILE CHURCH ST. (SOUTH)