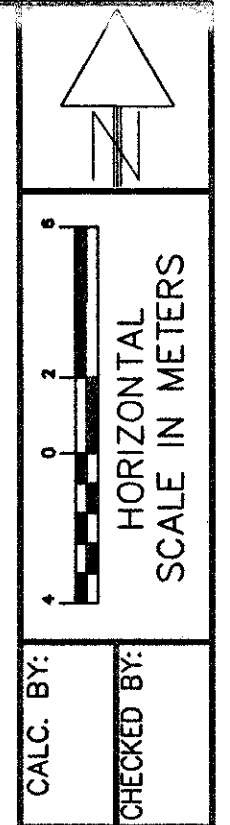
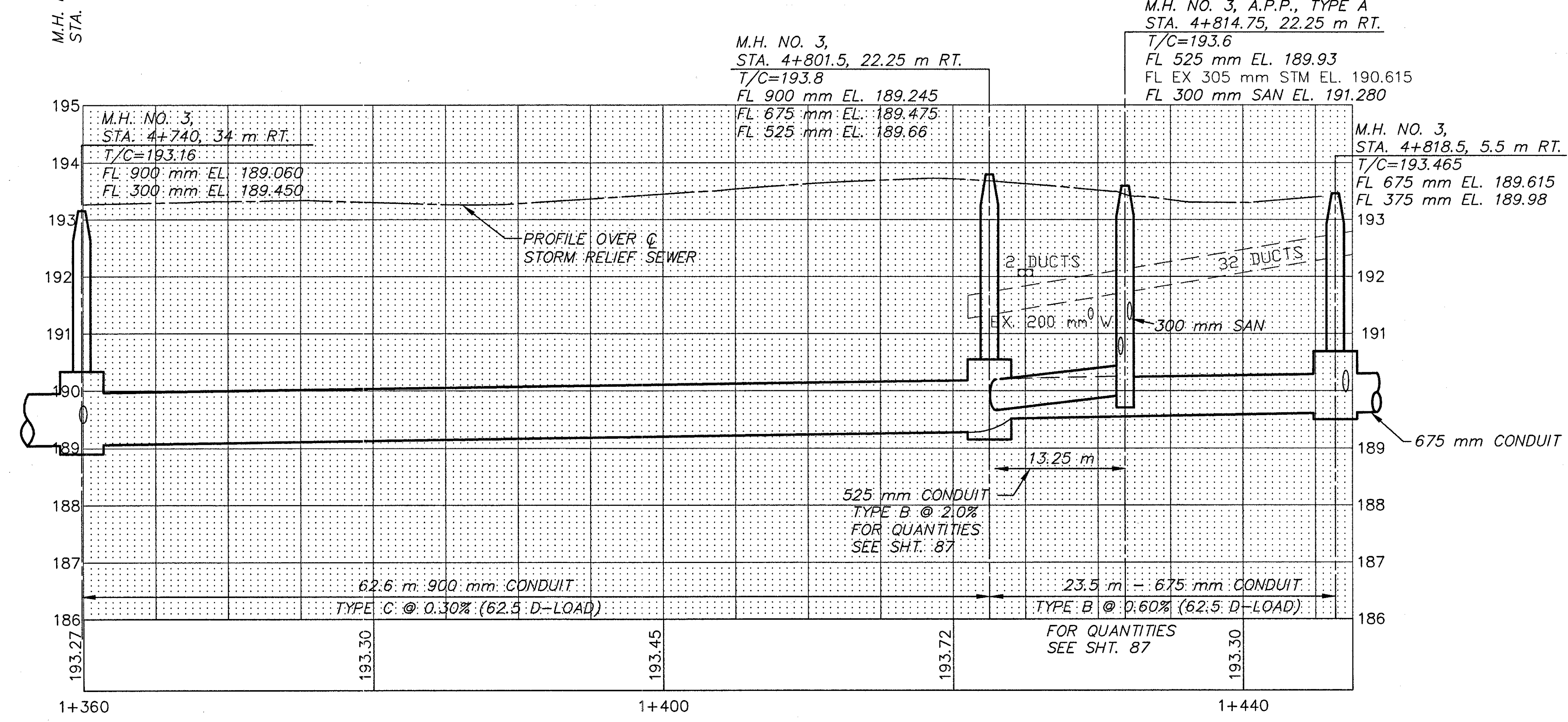


SEE SHT. 105 FOR ESTIMATED DRAINAGE QUANTITIES.
SEE SHT. 188 FOR M.H. NO. 3 A.P.P., TYPE A DETAILS.



CALC. BY: _____
 CHECKED BY: _____
 PROPOSED STORM RELIEF SEWER
 STA. 4+740 TO STA. 4+840



M.H. NO. 3,
STA. 4+740, 34 m RT.
T/C=193.16
FL 900 mm EL. 189.060
FL 300 mm EL. 189.450

M.H. NO. 3,
STA. 4+801.5, 22.25 m RT.
T/C=193.8
FL 900 mm EL. 189.245
FL 675 mm EL. 189.475
FL 525 mm EL. 189.66

M.H. NO. 3, A.P.P., TYPE A
STA. 4+814.75, 22.25 m RT.
T/C=193.6
FL 525 mm EL. 189.93
FL EX 305 mm STM EL. 190.615
FL 300 mm SAN EL. 191.280

M.H. NO. 3,
STA. 4+818.5, 5.5 m RT.
T/C=193.465
FL 675 mm EL. 189.615
FL 375 mm EL. 189.98

62.6 m 900 mm CONDUIT
TYPE C @ 0.30% (62.5 D-LOAD)

525 mm CONDUIT
TYPE B @ 2.10%
FOR QUANTITIES
SEE SHT. 87

23.5 m 675 mm CONDUIT
TYPE B @ 0.60% (62.5 D-LOAD)
FOR QUANTITIES
SEE SHT. 87

LAK-640-3.444