

PERMANENT SEEDING QUANTITY IS CALCULATED BY USING A 10 m STRIP FOR ENTIRE PIPE AND CHANNEL LENGTH OUTSIDE PAVEMENT AREA.

PROJECT DESCRIPTION

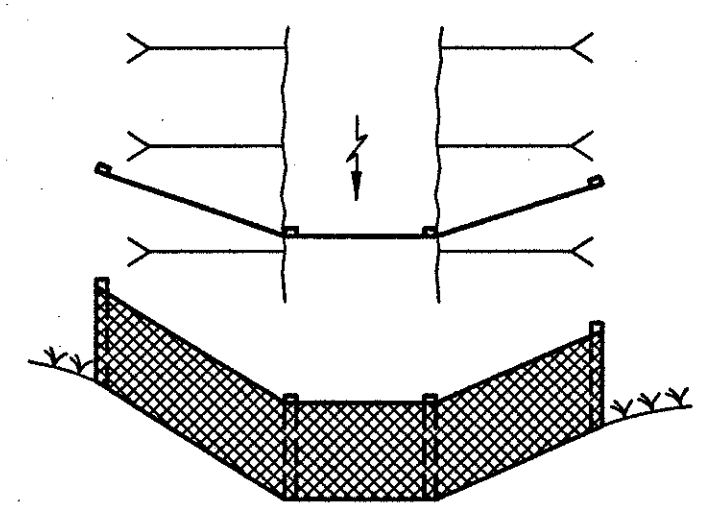
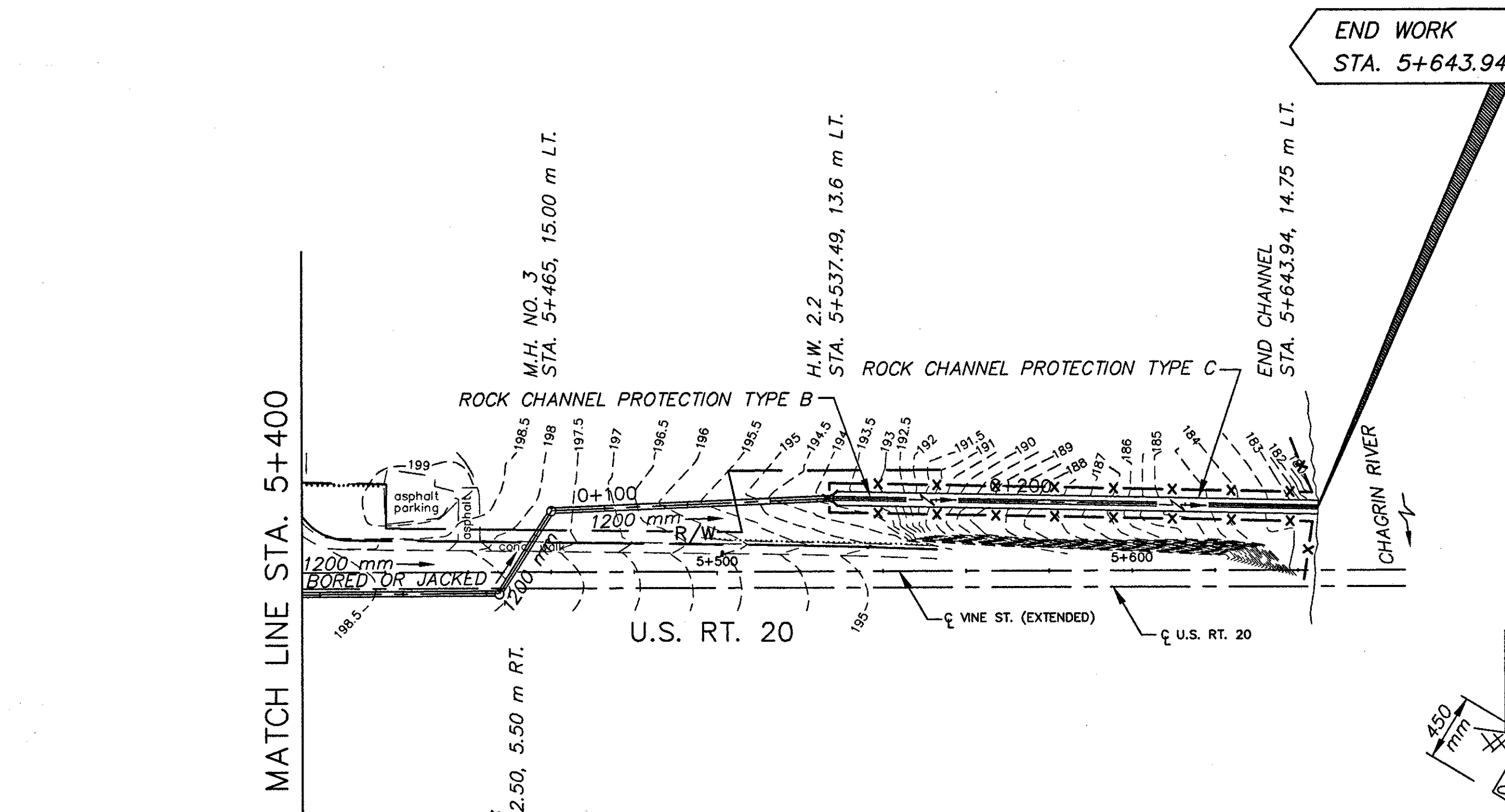
THIS PROJECT CONSIST OF TOTAL REPLACEMENT OF APPROXIMATELY 1.90 KILOMETERS OF FOUR LANE DIVIDED AND UNDIVIDED, URBAN ARTERIAL ROADWAY, SITUATED IN THE CITY OF WILLOUGHBY. THE PROJECT HAS AN EAST-WEST ORIENTATION STARTING APPROXIMATELY AT EAST 364th ST. AND ENDING AT STATE ROUTE 20, ERIE ST. .

USGS QUADRANT NO. 41081-F4
EASTLAKE, OHIO
LONGITUDE: 81°25'05"
LATITUDE: 41°38'33"

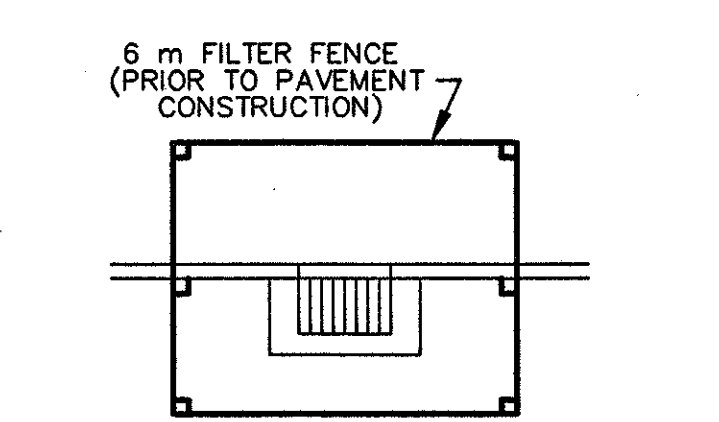
* LONGITUDE AND LATITUDE TO APPROX. CENTER OF PROJECT

LEGEND

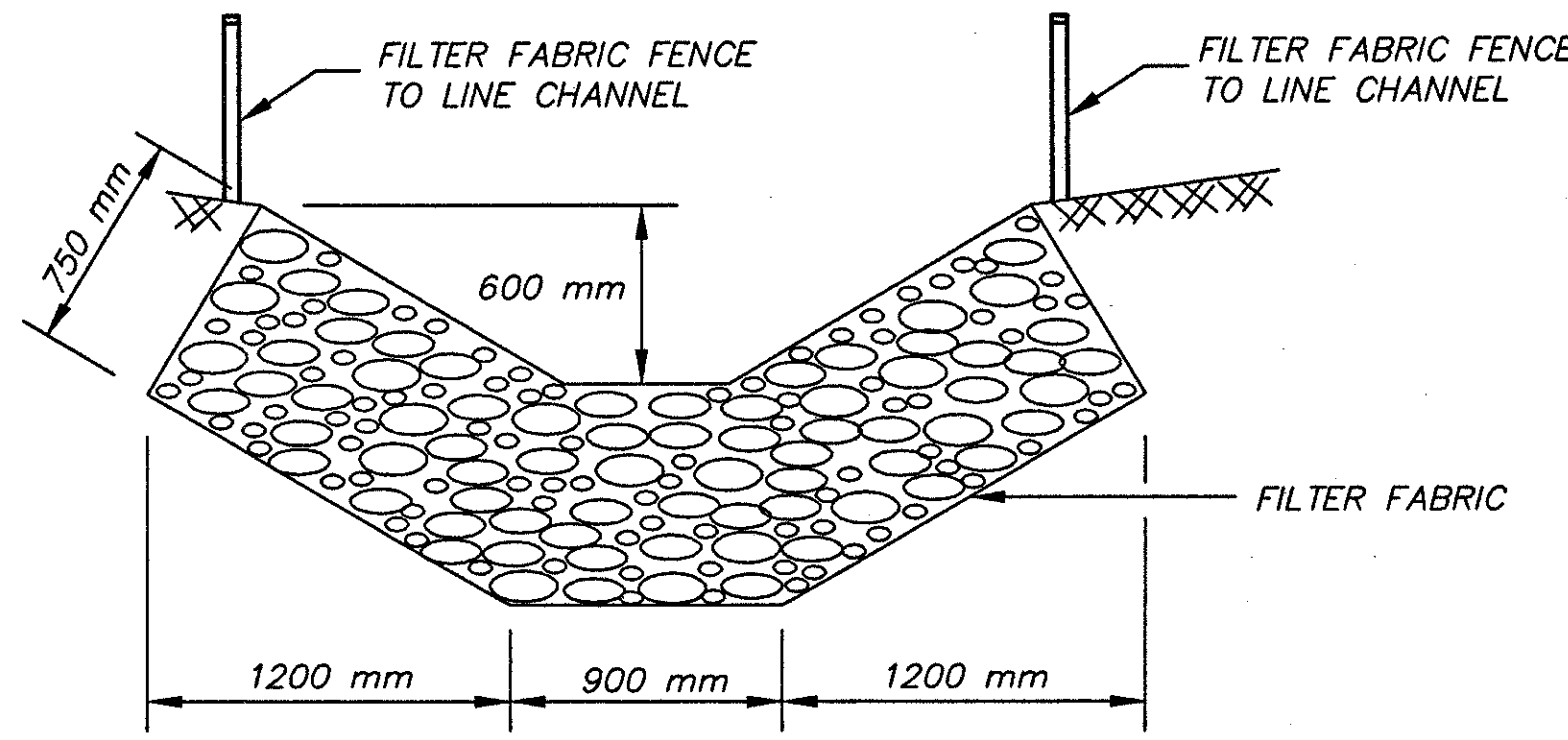
- ▣ CONCRETE SLOPE PROTECTION
- ▣ CATCH BASIN (6 METERS SILT FENCE), CB-3A, 6
- ▣ CATCH BASIN (8 METERS SILT FENCE), CB-3
- ▣ CATCH BASIN (6 METERS SILT FENCE), CB 2-2B,2-3
- MANHOLE
- MANHOLE, ADJUSTED TO GRADE
- ◻ EXISTING CATCH BASIN
- ✕ FILTER FABRIC FENCE (4 METERS SILT FENCE PER CROSSING)
- SWALE FLOW
- 750 mm - TYPE B ROCK CHANNEL PROTECTION



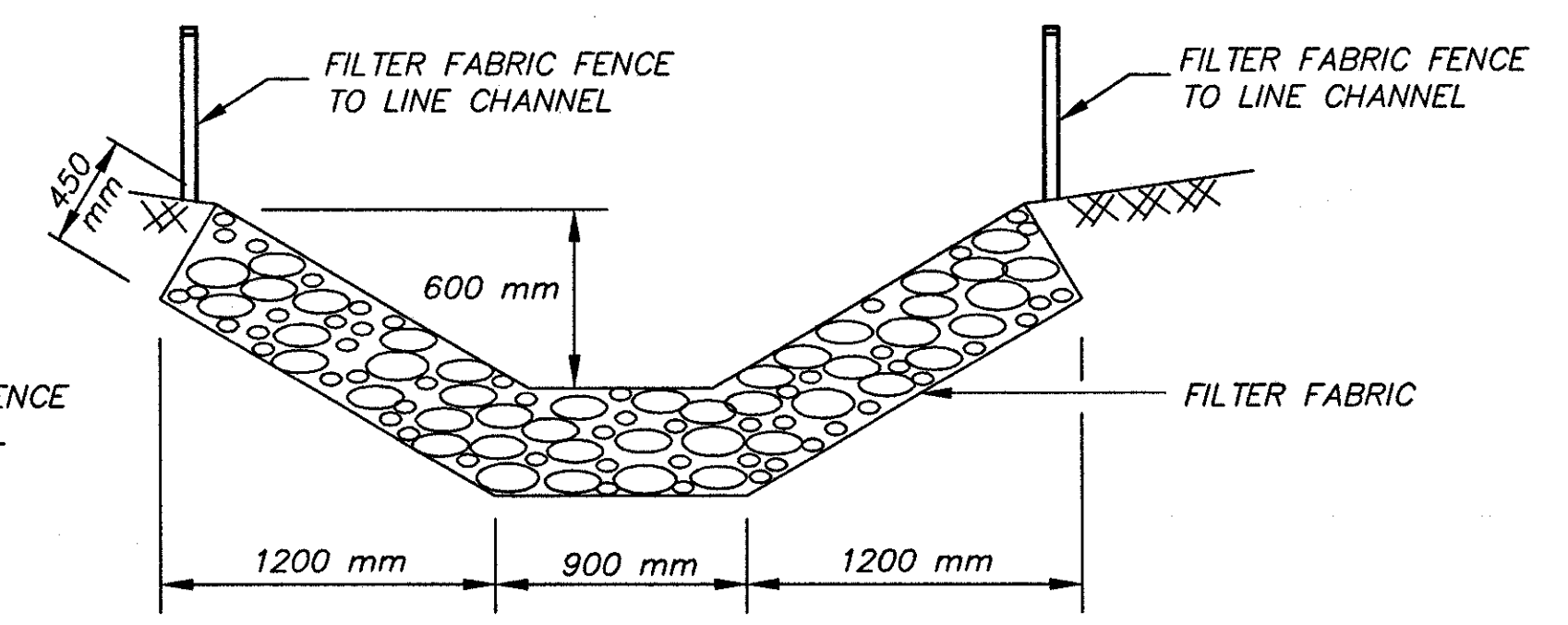
PLACEMENT OF SILT FENCE IN SWALE AREAS AS PER STANDARD DRAWING DM 4.4M
NTS



CATCH BASIN BOXOUT W/FILTER FABRIC FENCE AS PER STANDARD DRAWING DM 4.3M
NTS



STA. 5+537.49 TO STA. 5+564.99
TYPICAL SECTION - ROCK CHANNEL PROTECTION TYPE B, 750 mm THICK WITH FABRIC FILTER
NTS



STA. 5+564.99 TO STA. 5+643.94
TYPICAL SECTION - ROCK CHANNEL PROTECTION TYPE C, 450 mm THICK WITH FABRIC FILTER
NTS

PROJECT DATA	
TOTAL AREA (RIGHT-OF-WAY)	= 23.5 AC.
AREA TO UNDERGO EXCAVATION, FILLING, OR GRADING	= 16.7 AC.
RUNOFF COEFFICIENT FOR PRE-CONSTRUCTION SITE	= .79
RUNOFF COEFFICIENT FOR POST CONSTRUCTION SITE	= .79
SOIL DATA	SEE SOIL PROFILES
IMMEDIATE RECEIVING WATERS	CHAGRIN RIVER

ESTIMATED QUANTITIES					
ITEM NO.		877	877	870	870
LOCATION	SIDE	TEMPORARY PERIMETER FILTER FABRIC FENCE	TEMPORARY INLET PROTECTION FILTER FABRIC FENCE	SEEDING AND MULCHING	COMMERCIAL FERTILIZER
		METERS	METERS	SQ. M.	KG
5+450 TO 5+644	L	246		1950	57
TOTALS THIS SHEET		246		1950	57
TOTALS SHEET 64		590	290	962	28
TOTALS SHEET 65		913	230	5500	160
TOTALS SHEET 66			108	0	0
GRAND TOTALS CARRIED TO GENERAL SUMMARY		1749	628	8412	245