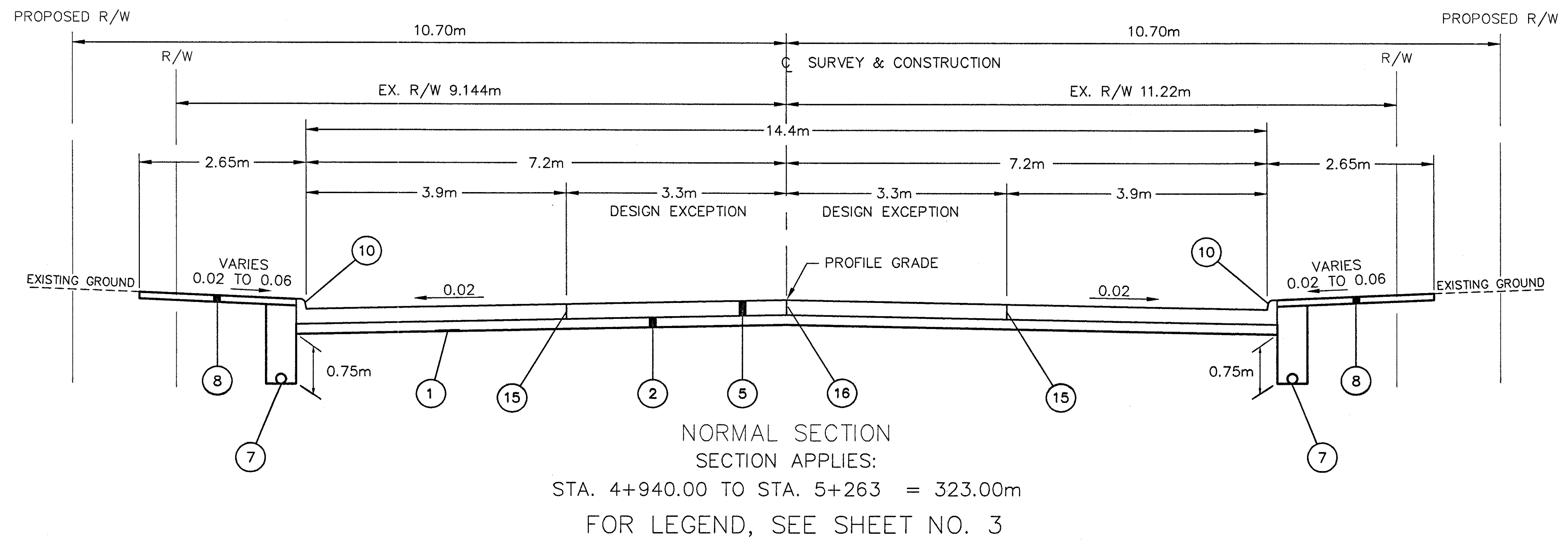
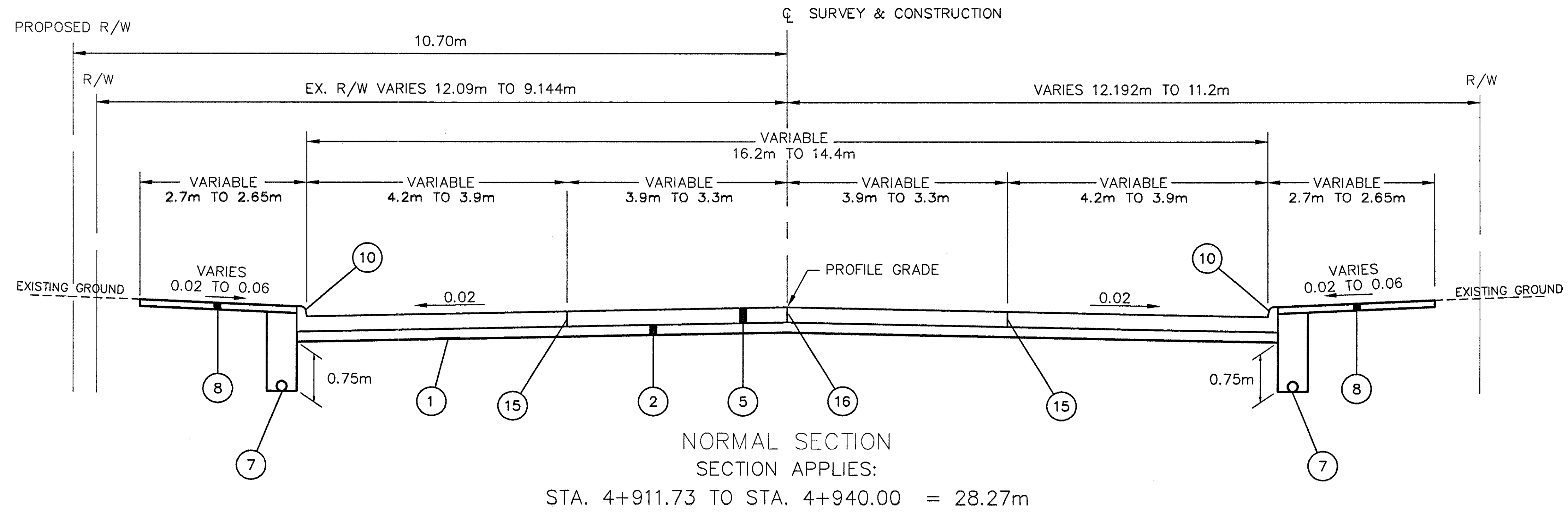


# TYPE 451 VINE STREET



CALCULATED  
CHECKED

TYPICAL SECTION  
STA. 4+911.73 TO STA. 5+263.00

LAK-640-3.444