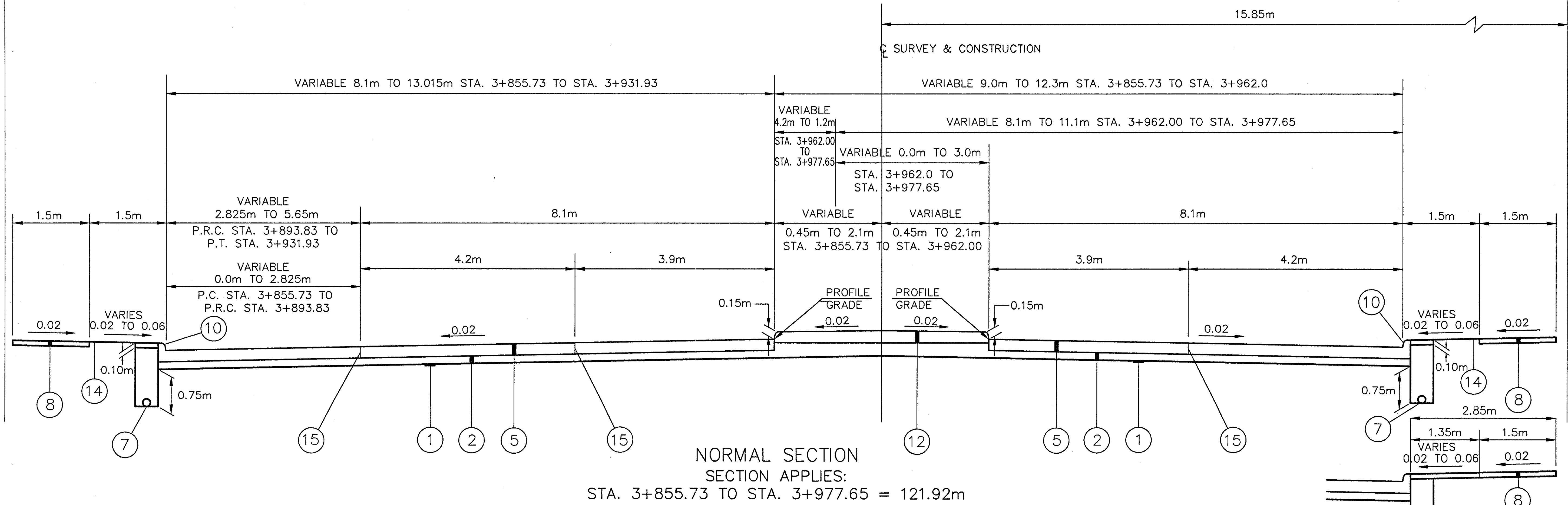


L/A

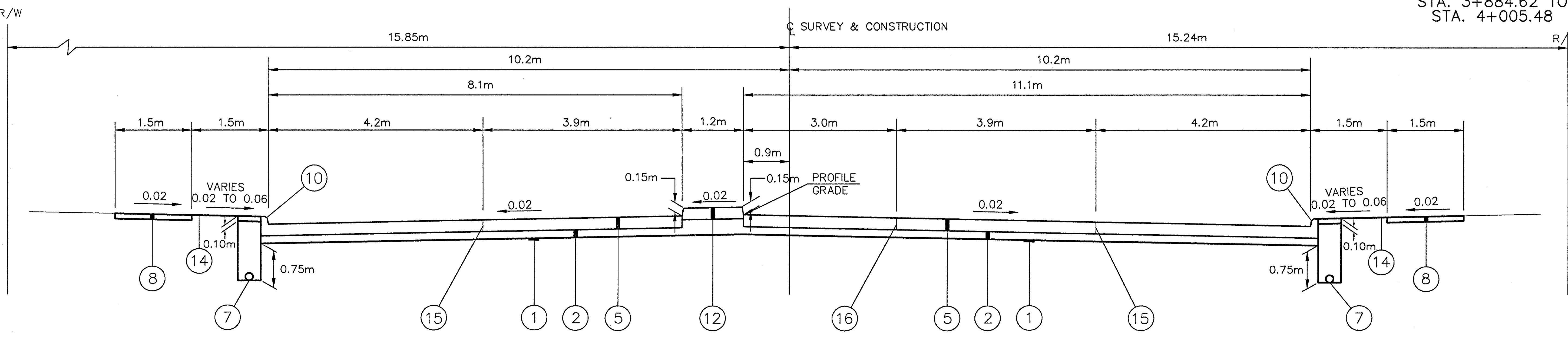
# VINE STREET

R/W

CALCULATED  
CHECKED



NORMAL SECTION  
SECTION APPLIES:  
STA. 3+855.73 TO STA. 3+977.65 = 121.92m



NORMAL SECTION  
SECTION APPLIES:  
STA. 3+977.65 TO STA. 4+015.15 = 37.50m

FOR LEGEND, SEE SHEET NO. 3

TYPICAL SECTION  
STA. 3+855.73 TO STA. 4+015.15

LAK-640-3.444

4  
214