

NOTES

1. Use 1/2" (13 mm) preformed joint filler as per 705.03 between foundations and adjacent paved areas.
2. A special foundation design will be required when soil with load bearing capacity of less than 2000 LB/FT² (9700 KG/M²) is encountered.
3. In lieu of providing reinforcing steel in the embedded pole foundation, the pole butt may be extended to within 3" (76 mm) of the foundation bottom. The pole base diameter as specified in the plans is the diameter of the pole at the groundline.
4. Provide all anchor bolts with standard steel hex nuts, leveling nuts, plain and lockwashers. The nuts shall be capable of developing the full strength of the anchor bolts.
5. At locations where the existing slope is 6:1 or greater, the buried depth of foundation shall apply to the low side of the slope. Set the top of the foundation 2" (50 mm) above the existing surface on the high side of the slope. The additional depth of foundation necessary to meet these requirements shall be added to the formed top.

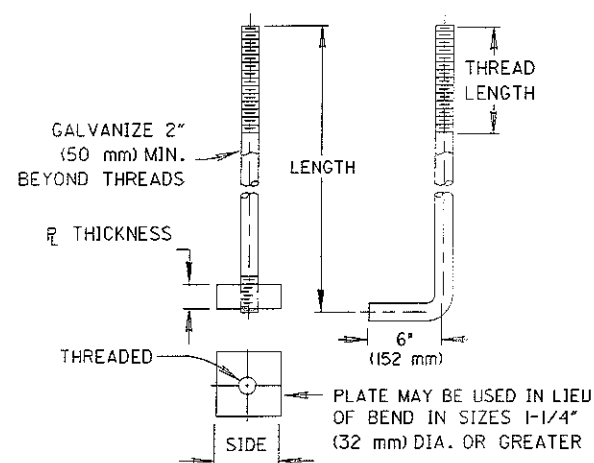
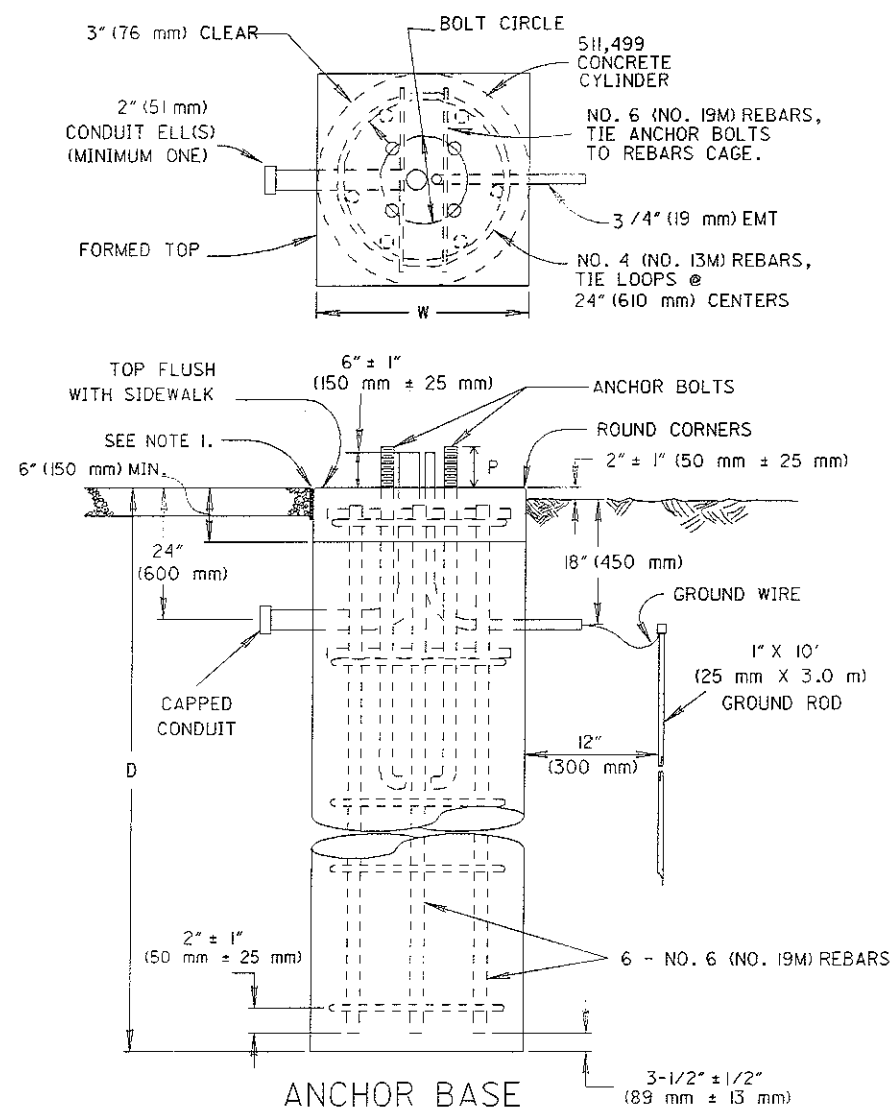
ALL DIMENSIONS IN INCHES UNLESS OTHERWISE NOTED

DIA.	LENGTH	THREAD LENGTH	R ₁ THICK	R ₂ SIDE	THREADS PER INCH
1/4	42	8	1/2	4	7
1/2	54	9	1/2	4	6
3/4	64	9	2	5	5
2	90	9	2	5	4 1/2
2 1/4	90	10	2 1/2	6	4 1/2
2 1/2	114	10	2 1/2	6	4
3	138	12	3	7	4

ALL DIMENSIONS IN MILLIMETERS UNLESS OTHERWISE NOTED

DIA.	LENGTH (meters)	THREAD LENGTH	R ₁ THICK	R ₂ SIDE	mm PER THREAD
32	1.1	203	38	102	3.6
38	1.4	229	38	102	4.2
45	2.1	229	51	127	5.1
51	2.3	229	51	127	5.6
57	2.3	254	64	152	5.6
64	2.9	254	64	152	6.4
76	3.5	305	76	178	6.4

ANCHOR BOLTS



ANCHOR BOLTS

