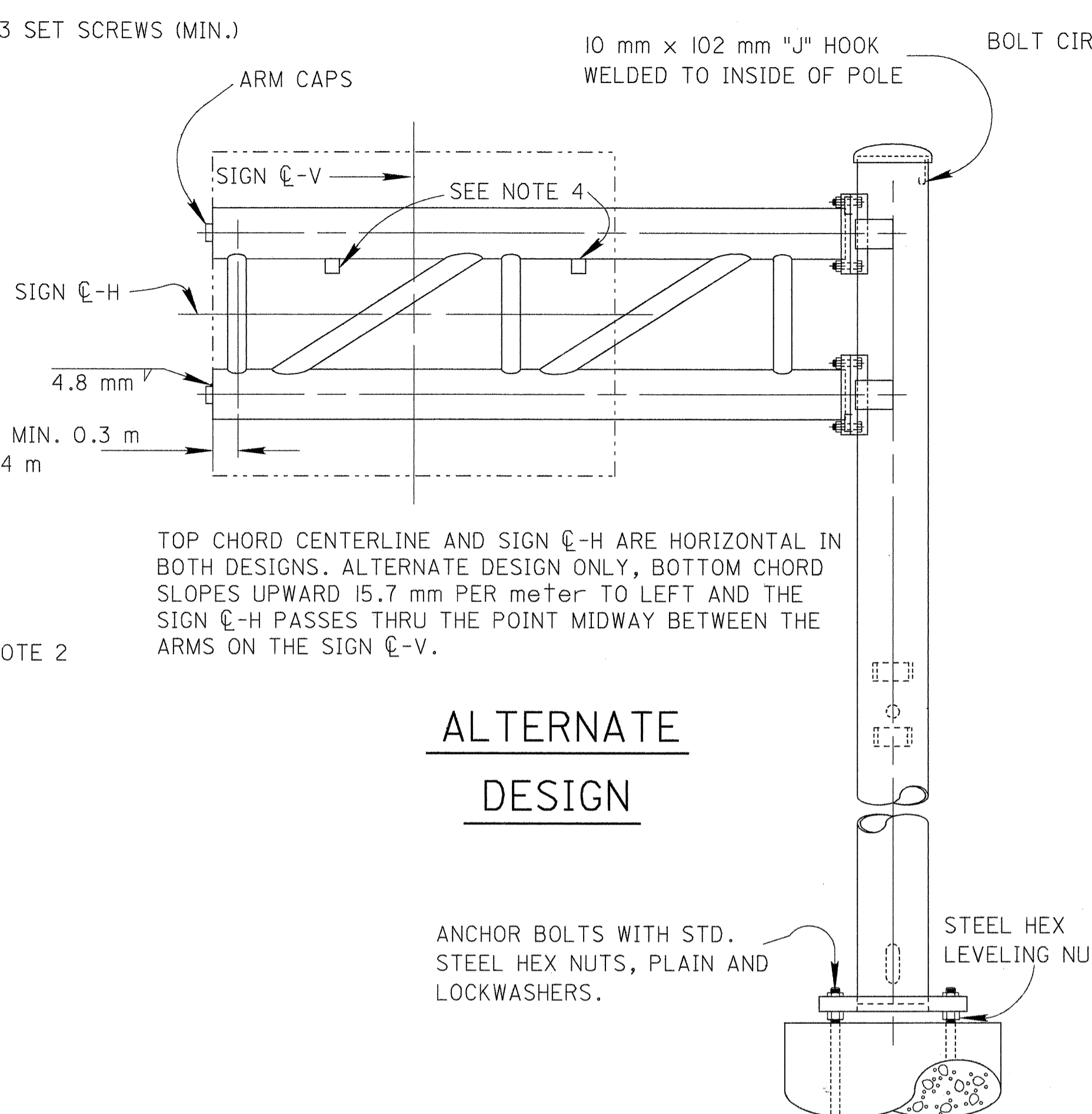
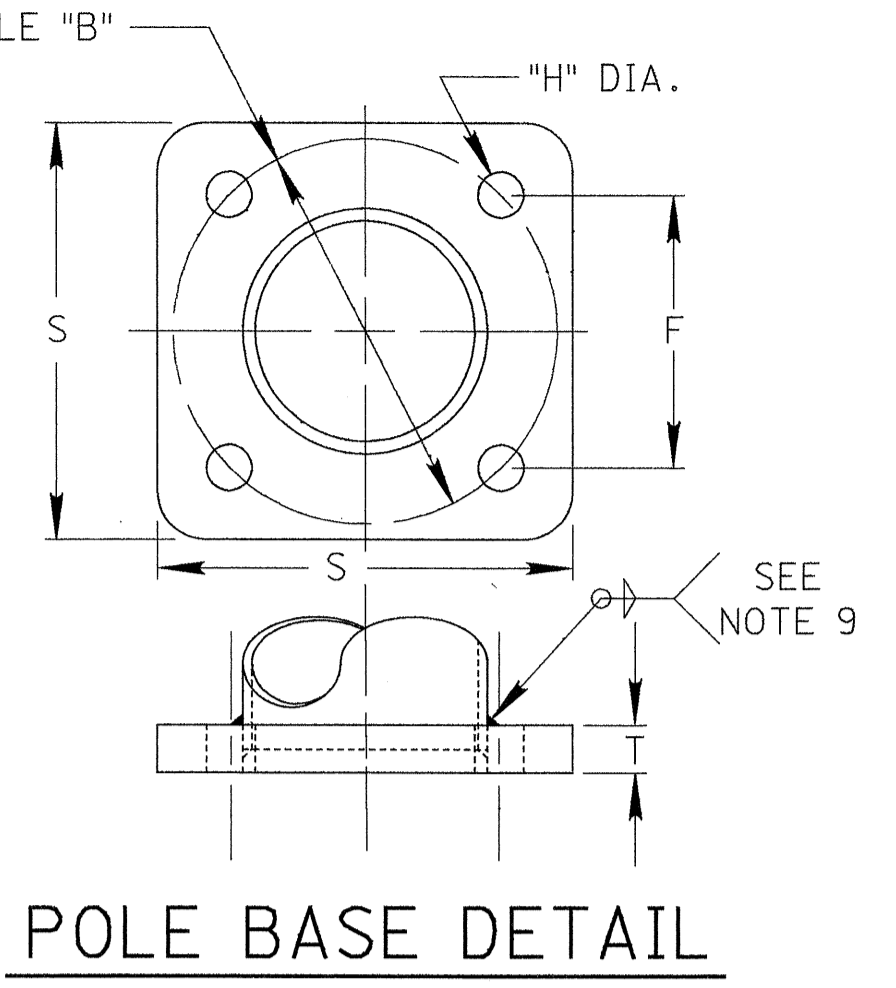


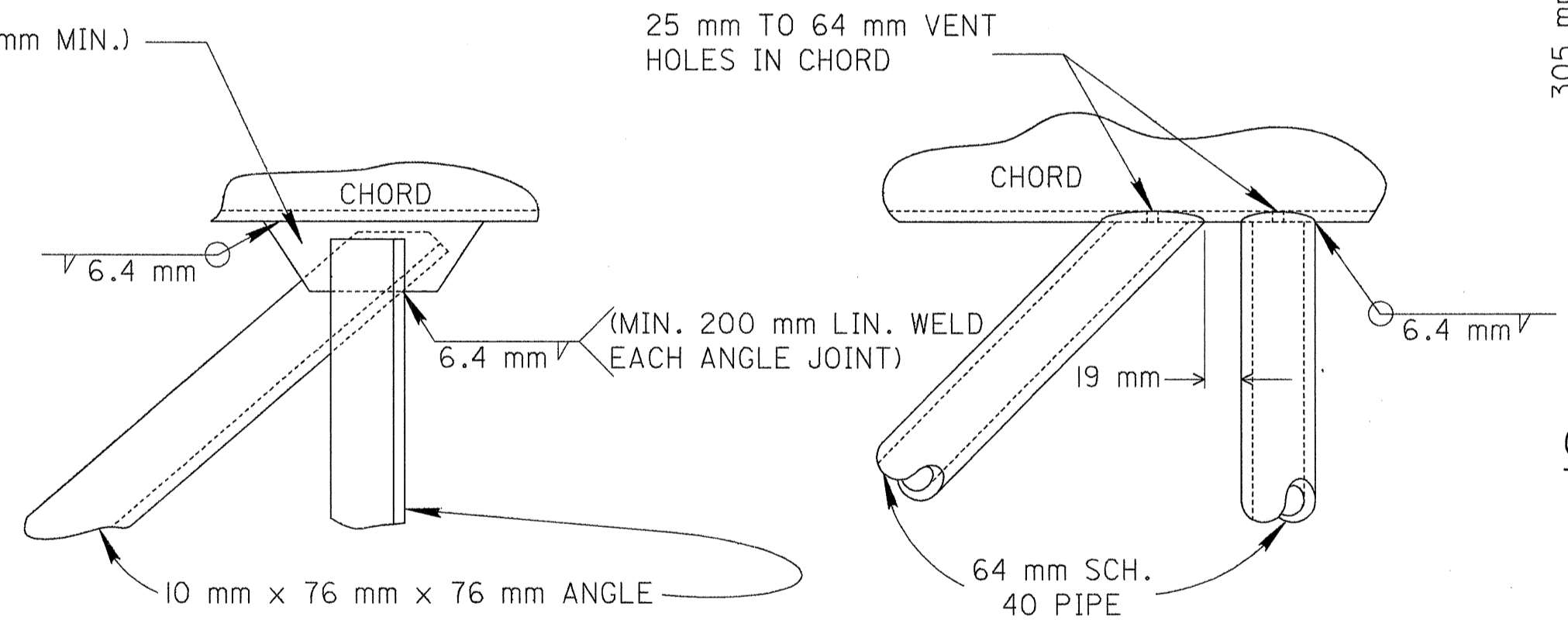
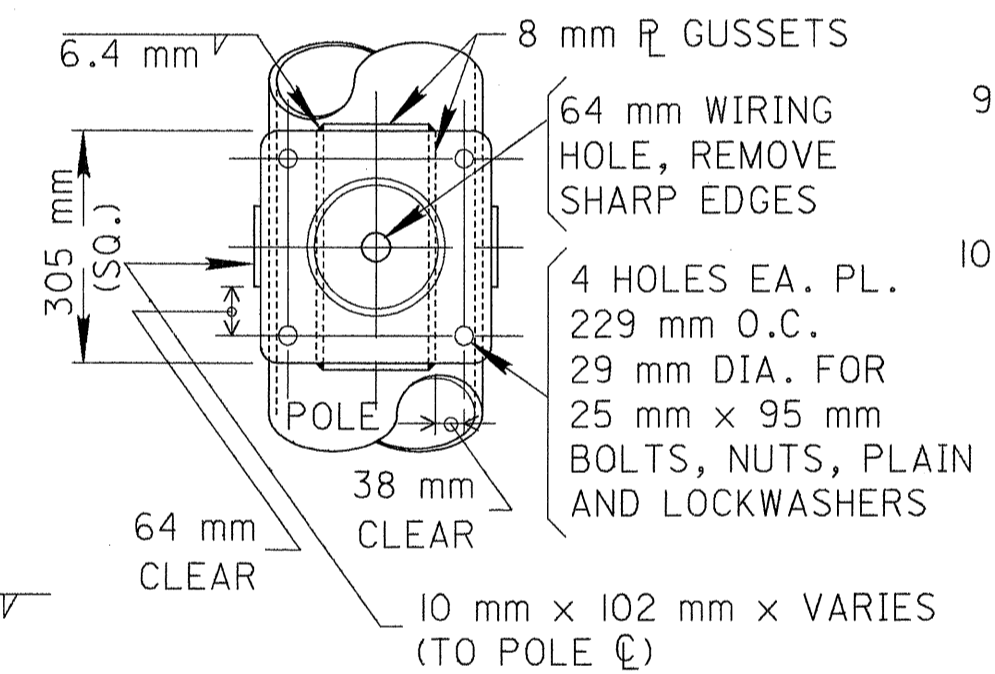
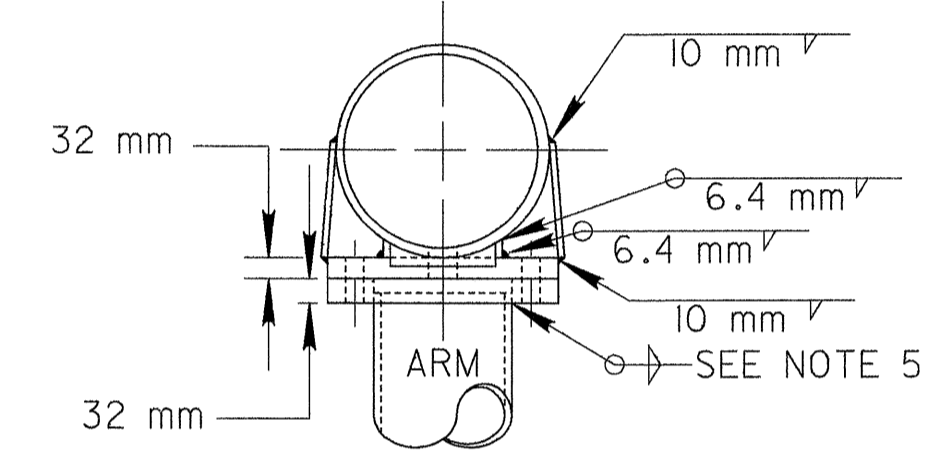
**STANDARD
DESIGN**



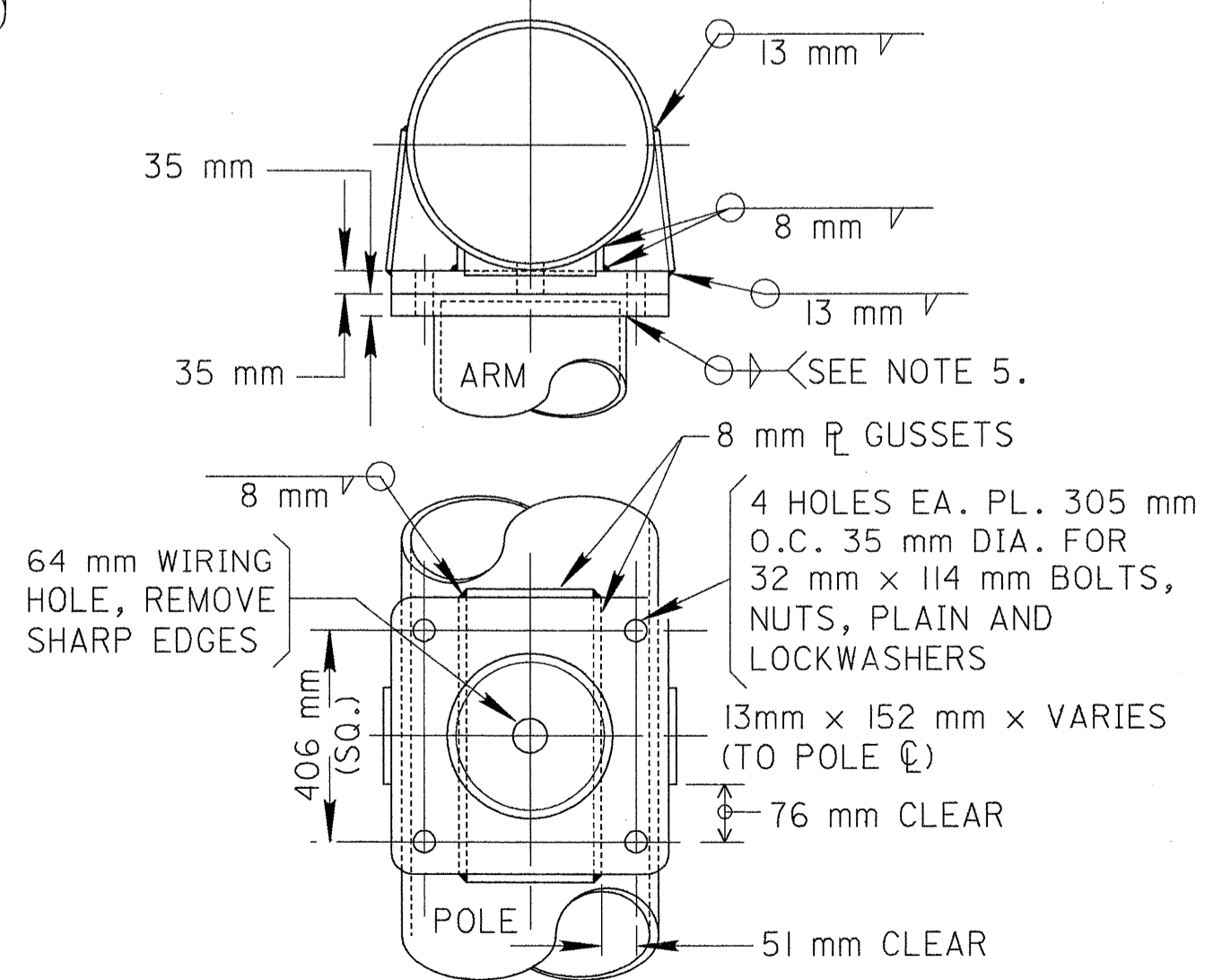
**ALTERNATE
DESIGN**



DESIGNS 1 - 4



ACCEPTABLE TRUSS JOINTS



ARM ATTACHMENT DETAIL

NOTES

- UNLESS OTHERWISE NOTED, DIMENSIONS AND INSTRUCTIONS APPLY TO BOTH THE STANDARD AND ALTERNATE DESIGNS.
- FOR SIGN ATTACHMENT ASSEMBLIES TO BE FURNISHED WITH THIS SUPPORT, CONSTRUCTION DETAILS AND LOCATION OF HANDHOLES AND SWITCH ENCLOSURE MOUNTING BRACKETS. SEE DRAWINGS TC-22.10M AND TC-22.20M.
- FOR FOUNDATION DETAILS, SEE DRAWING TC-21.20M.
- FOR SIGNS UNDER 6.1 m LONG, ONE THREADED STEEL 32 mm PIPE COUPLING SHALL BE WELDED TO THE TOP CHORD APPROXIMATELY 300 mm OUTBOARD OF FIRST SIGN BRACKET. FOR SIGNS 6.1 m LONG OR OVER, A SECOND THREADED STEEL 32 mm PIPE COUPLING IS REQUIRED 300 mm OUTBOARD OF THE SECOND PIPE BRACKET. ALL SHARP EDGES INSIDE THE CHORD AND PIPE COUPLING SHALL BE REMOVED.
- ARM ATTACHMENT PLATE TO BE WELDED INSIDE AND OUTSIDE WITH FILLET WELDS. EACH FILLET WELD SHALL BE EQUAL TO THE WALL THICKNESS OF THE RESPECTIVE TUBING.
- FOR DESIGNS 11 AND 12 CHANGE THE 13 mm x 152 mm PLATES TO 19 mm x 152 mm, THE 13 mm FILLET WELDS TO 19 mm, THE 32 mm x 114 mm BOLTS TO 35 mm x 121 mm AND 35 mm DIA. HOLES TO 38 mm DIA. HOLES. ALL OTHER NOTES AND DIMENSIONS TO BE HELD.
- SIGN SUPPORT ARMS UNDER 5.5 m DO NOT REQUIRE TRUSSING.
- FOR MODIFICATION OF POLE TO SUPPORT ROADWAY LIGHTING. SEE DRAWINGS TC-22.10M AND HL-10.12M.
- THE BASE PLATE SHALL BE WELDED TO TWO PLY POLES WITH AWS PREQUALIFIED WELDS IN CONFORMANCE WITH 730.04.
- ALL UNUSED COUPLINGS AND WIRE OUTLETS SHALL BE PROVIDED WITH A REMOVABLE GALVANIZED CAST IRON PLUG.

ALL DIMENSIONS IN MILLIMETERS UNLESS OTHERWISE NOTED

DESIGN NUMBER	OUTSIDE DIAMETERS	
	POLE SIZE	ARM SIZE
1	2 PLY..4.55 x 254 x 165 x 7.6 m	4.55 x 152 x 96 x 4.9 m
1 ALT.	219 x 13 WALL x 7.6 m	141 x 6.6 WALL x 4.9 m
2	2 PLY..4.55 x 254 x 165 x 7.6 m	6.07 x 152 x 117 x 6.1 m
2 ALT.	219 x 14 WALL x 7.6 m	141 x 9 WALL x 6.1 m
3	7.59 x 330 x 234 x 8.2 m	4.55 x 203 x 146 x 4.9 m
3 ALT.	273 x 11 WALL x 8.2 m	168 x 6.4 WALL x 4.9 m
4	7.59 x 330 x 234 x 8.2 m	4.55 x 229 x 157 x 6.1 m
4 ALT.	273 x 13 WALL x 8.2 m	168 x 9 WALL x 6.1 m
5	7.59 x 381 x 281 x 8.5 m	4.55 x 241 x 163 x 6.7 m
5 ALT.	324 x 13 WALL x 8.5 m	219 x 6.4 WALL x 6.7 m
6	2 PLY..4.55 x 381 x 281 x 8.5 m	6.07 x 254 x 162 x 7.9 m
6 ALT.	324 x 14 WALL x 8.5 m	219 x 8 WALL x 7.9 m
7	2 PLY..4.55 x 419 x 320 x 8.5 m	6.07 x 254 x 169 x 7.3 m
7 ALT.	356 x 14 WALL x 8.5 m	219 x 8 WALL x 7.3 m
8	2 PLY..6.07 x 419 x 320 x 8.5 m	6.07 x 279 x 180 x 8.5 m
8 ALT.	356 x 15 WALL x 8.5 m	273 x 7 WALL x 8.5 m
9	2 PLY..6.07 x 419 x 312 x 9.1 m	6.07 x 279 x 187 x 7.9 m
9 ALT.	356 x 17 WALL x 9.1 m	273 x 7 WALL x 7.9 m
10	2 PLY..6.07 x 457 x 351 x 9.1 m	6.07 x 330 x 224 x 9.1 m
10 ALT.	406 x 17 WALL x 9.1 m	273 x 11 WALL x 9.1 m
11	2 PLY..6.07 x 457 x 351 x 9.1 m	6.07 x 318 x 225 x 7.9 m
11 ALT.	406 x 17 WALL x 9.1 m	273 x 9 WALL x 7.9 m
12	2 PLY..7.59 x 457 x 351 x 9.1 m	7.59 x 330 x 224 x 9.1 m
12 ALT.	406 x 22 WALL x 9.1 m	273 x 13 WALL x 9.1 m

ALL DIMENSIONS IN MILLIMETERS UNLESS OTHERWISE NOTED

DESIGN NUMBER	DESIGN SIZE (m ²)	DESIGN MOMENT ARM (m)	DIM. "F"	DIM. "P"	DIM. "S"	DIM. "T"	BOLT CIRCLE "B"	ANCHOR BOLTS	DIM. "H"
1	6.2	3.7	270	197	397	51	381	45 x 2.1 m	54
2	6.2	4.9	270	197	397	51	381	45 x 2.1 m	54
3	9.3	3.7	324	216	470	51	457	51 x 2.3 m	60
4	9.3	4.9	324	216	470	51	457	51 x 2.3 m	60
5	13.9	4.3	394	216	584	51	559	51 x 2.3 m	60
6	13.9	5.5	394	216	584	51	559	51 x 2.3 m	60
7	18.6	4.3	422	248	622	64	597	64 x 2.9 m	73
8	18.6	5.5	422	248	622	64	597	64 x 2.9 m	73
9	23.2	4.7	422	248	622	64	597	64 x 2.9 m	73
10	23.2	5.9	457	248	673	64	648	64 x 2.9 m	73
11	27.9	4.7	457	248	673	64	648	64 x 2.9 m	73
12	27.9	5.9	457	286	673	76	648	76 x 3.5 m	86

METRIC

BUREAU OF DESIGN SERVICES
DIVISION OF HIGHWAYS
OHIO DEPARTMENT OF TRANSPORTATION

TRAFFIC CONTROL	DATE 02/01/94
CANTILEVER OVERHEAD SIGN SUPPORT	
STANDARD CONSTRUCTION DRAWING	TC-12.30M
APPROVED <i>Day & Creger</i> ENGR. OF DESIGN SERVICES	