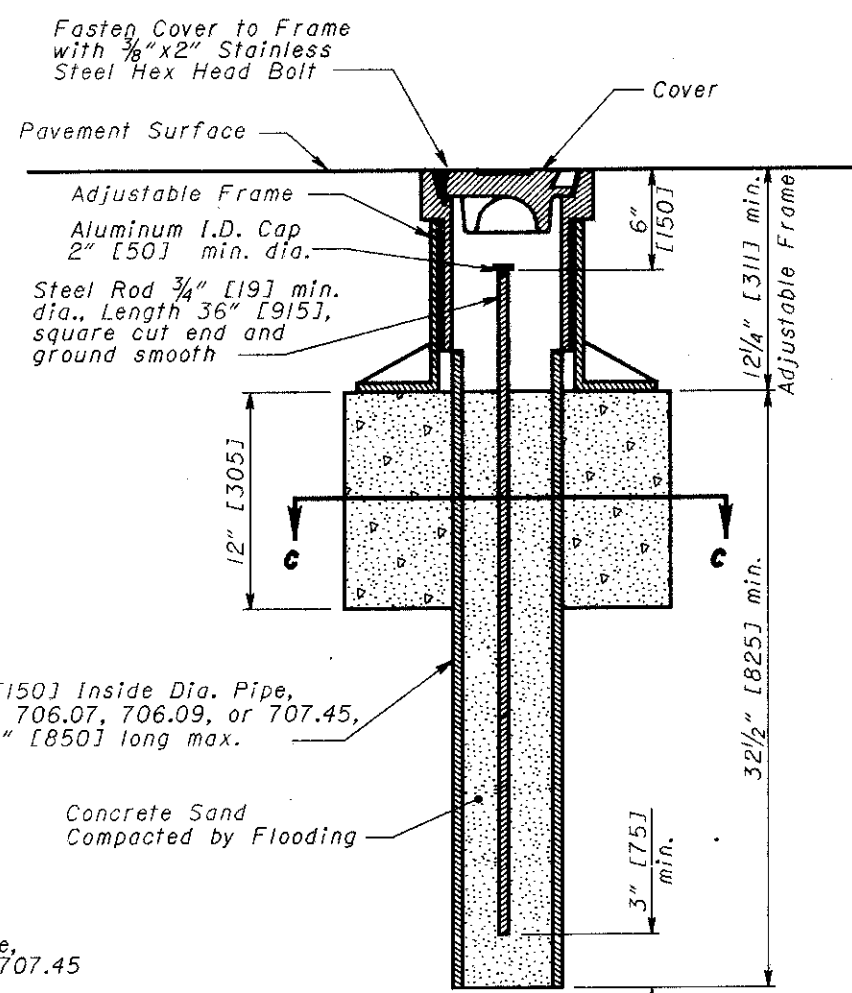
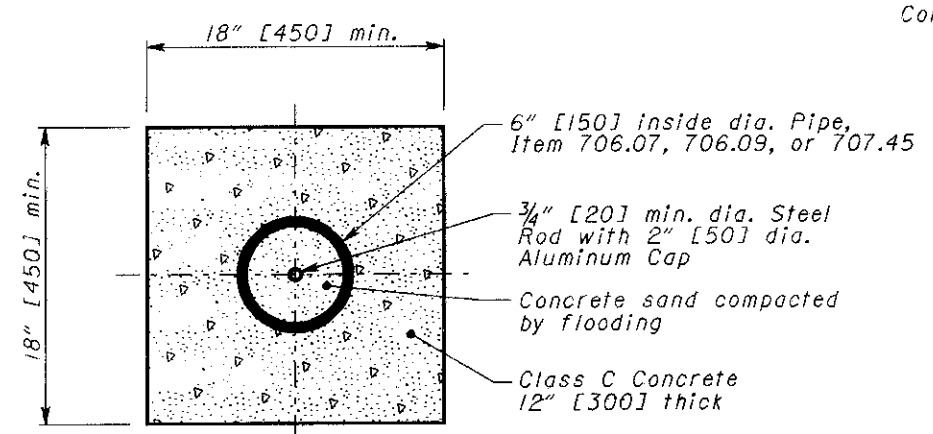


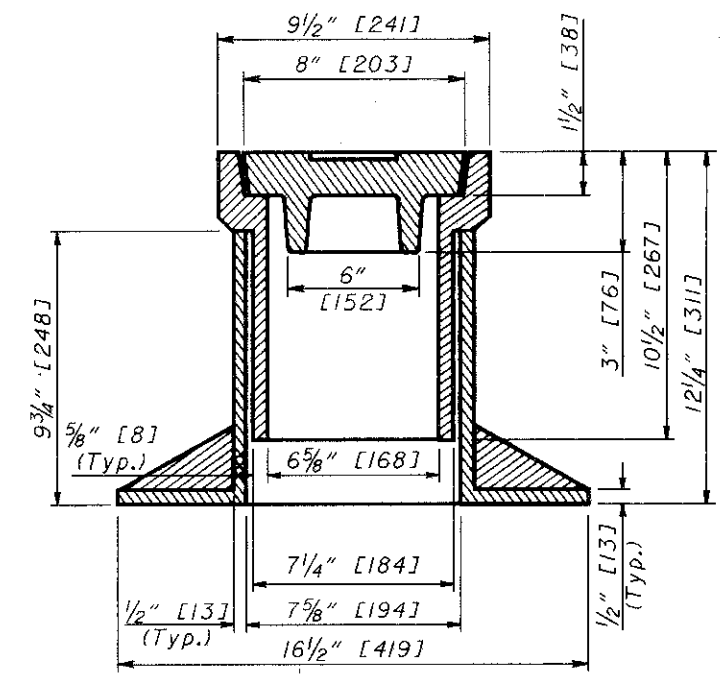
TOP VIEW



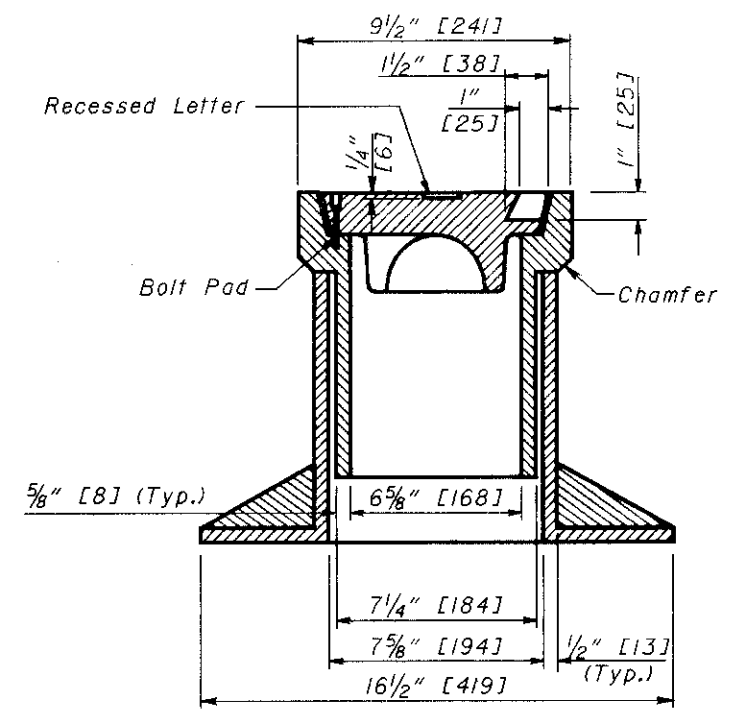
SIDE VIEW



SECTION C-C



SECTION A-A



SECTION B-B

ADJUSTABLE CENTERLINE MONUMENT DETAILS

THIS DRAWING REPLACES RM-1.1M DATED 4-8-97.

NUMBER RM-1.1	STANDARD ROADWAY CONSTRUCTION DRAWING ROADWAY MONUMENTS	DESIGN AGENCY OFFICE OF PLANNING	REVISOR M. EVANS	DATE 4-29-99
		DESIGN AGENCY OFFICE OF PLANNING	DRAWN D. FOCKE	DATE 4-29-99