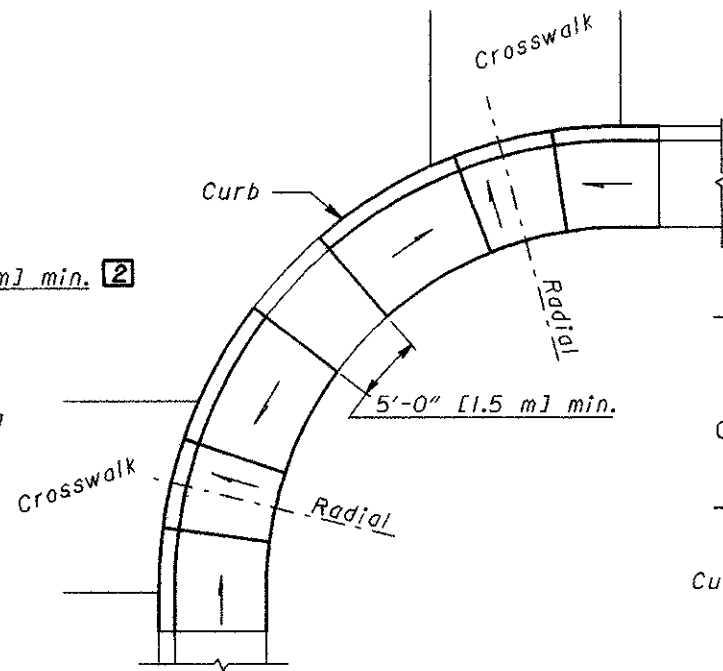
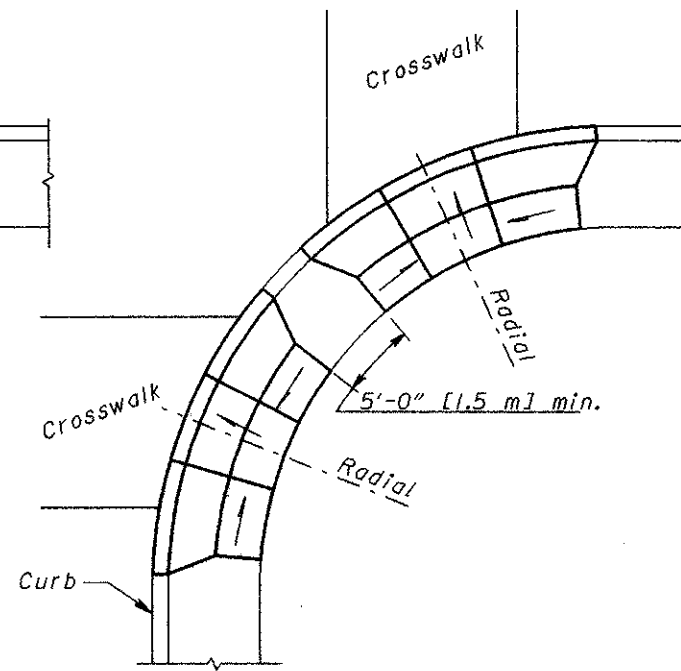


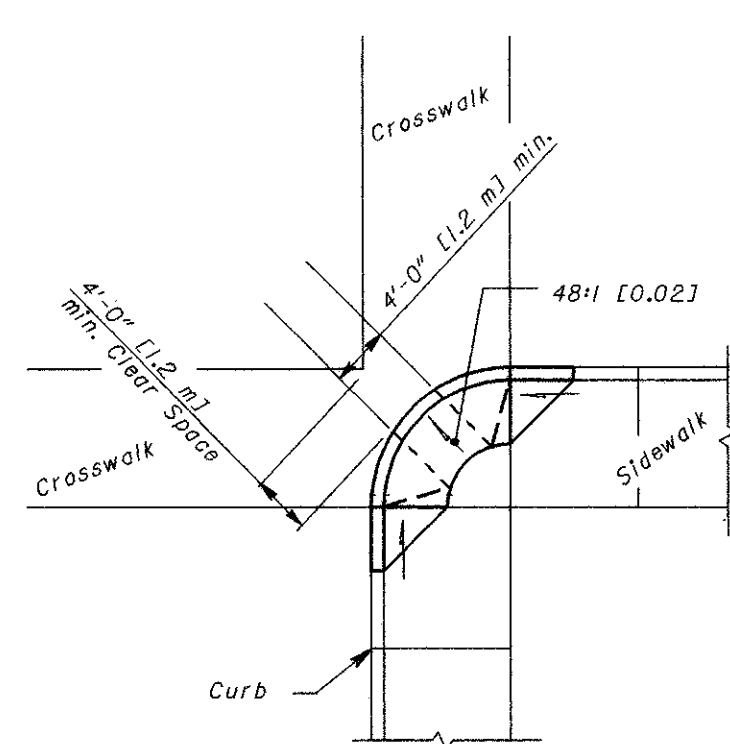
DESIGN A  
PERPENDICULAR RAMP



DESIGN B  
PARALLEL RAMP



DESIGN C  
COMBINATION RAMP

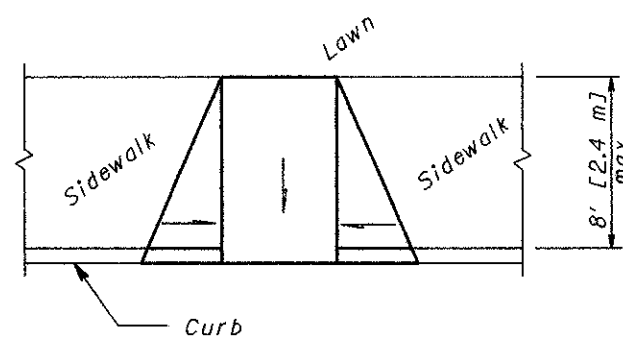


DESIGN D  
DIAGONAL RAMP

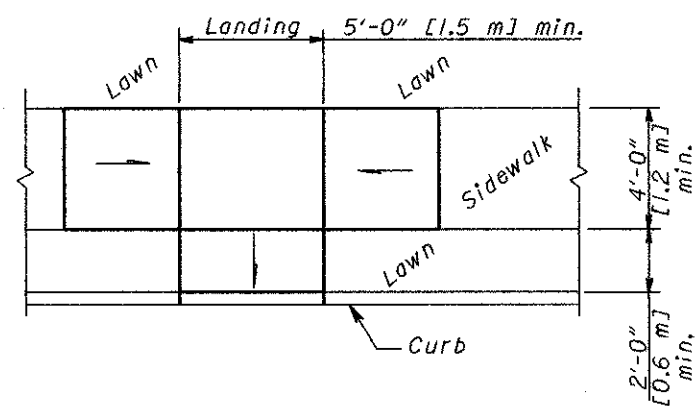
CORNER CURB RAMP DESIGNS

(See Curb Ramp Details on Sht. 1/3 for additional requirements.)

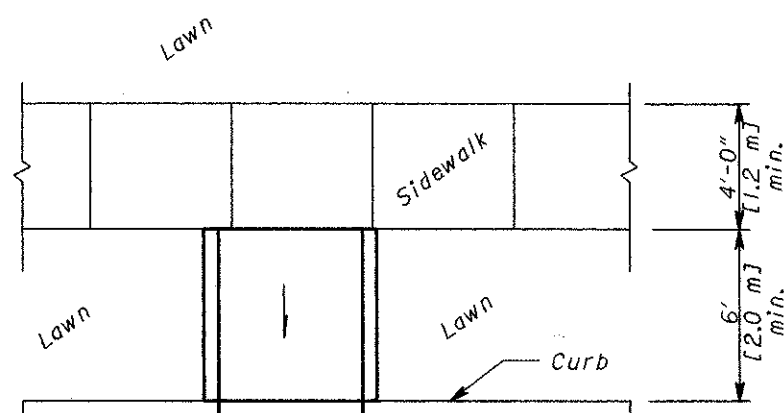
Use in existing walks only and when site constraints prohibit other designs. The diagonal ramp may be perpendicular, parallel or combination. Avoid using where curb radii are less than 20'-0" [6.0 m].



DESIGN E  
PERPENDICULAR RAMP



DESIGN F  
PARALLEL RAMP



DESIGN G  
PERPENDICULAR RAMPS  
w/o FLARES

MID BLOCK CURB RAMP DESIGNS

(See Curb Ramp Details on Sht. 1/3 for additional requirements.)

THIS DRAWING REPLACES BP-7.1M DATED 10-28-94.

NUMBER	BP-7.1	2 / 3
STANDARD ROADWAY CONSTRUCTION DRAWING	CURB RAMPS	
ROADWAY ENGINEERING SERVICES		
STDS. ENGR.	M. EVANS	
DRAWN	D. FOCKE	
REVISIONS		
OHIO DEPARTMENT OF TRANSPORTATION		
		DATE