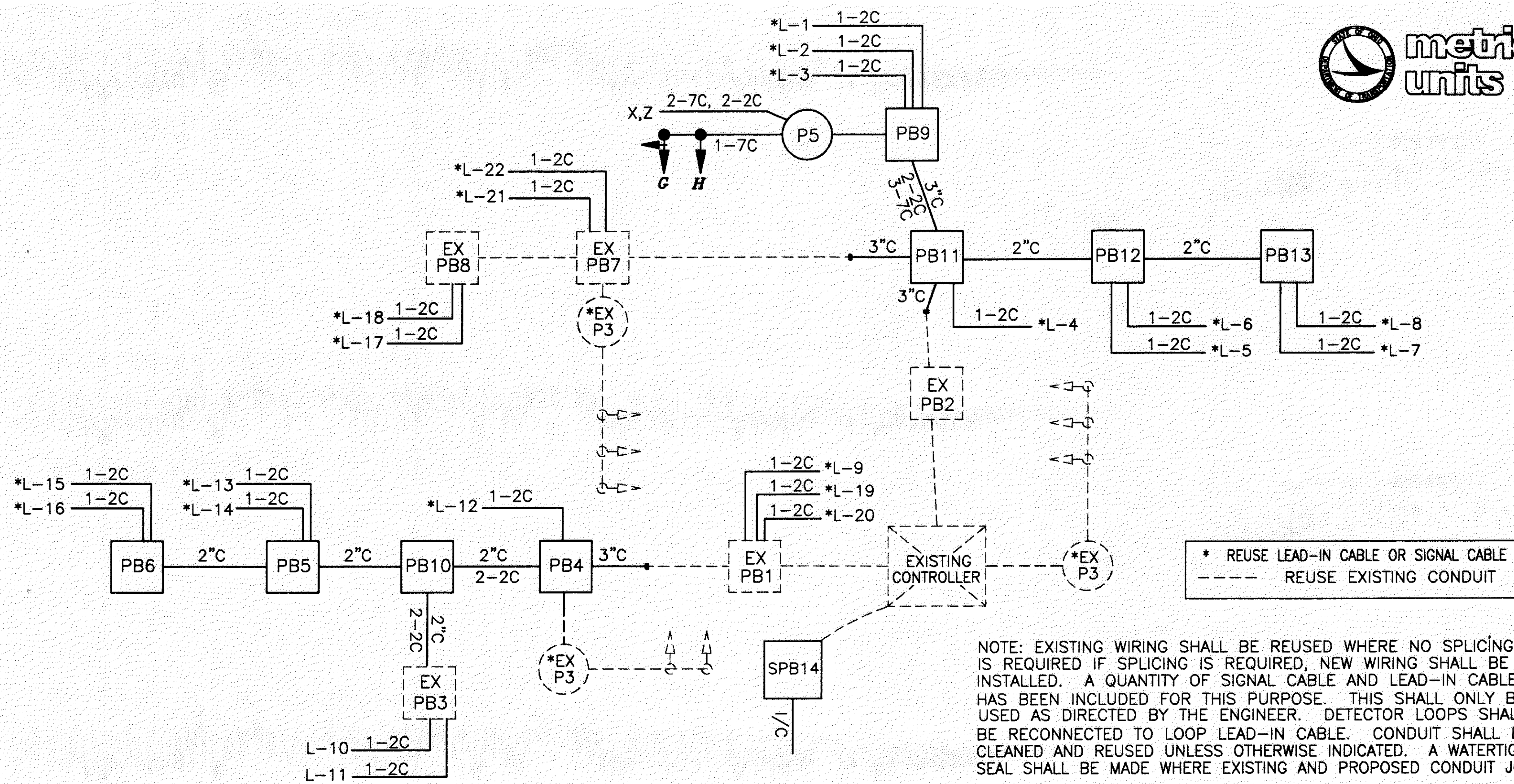
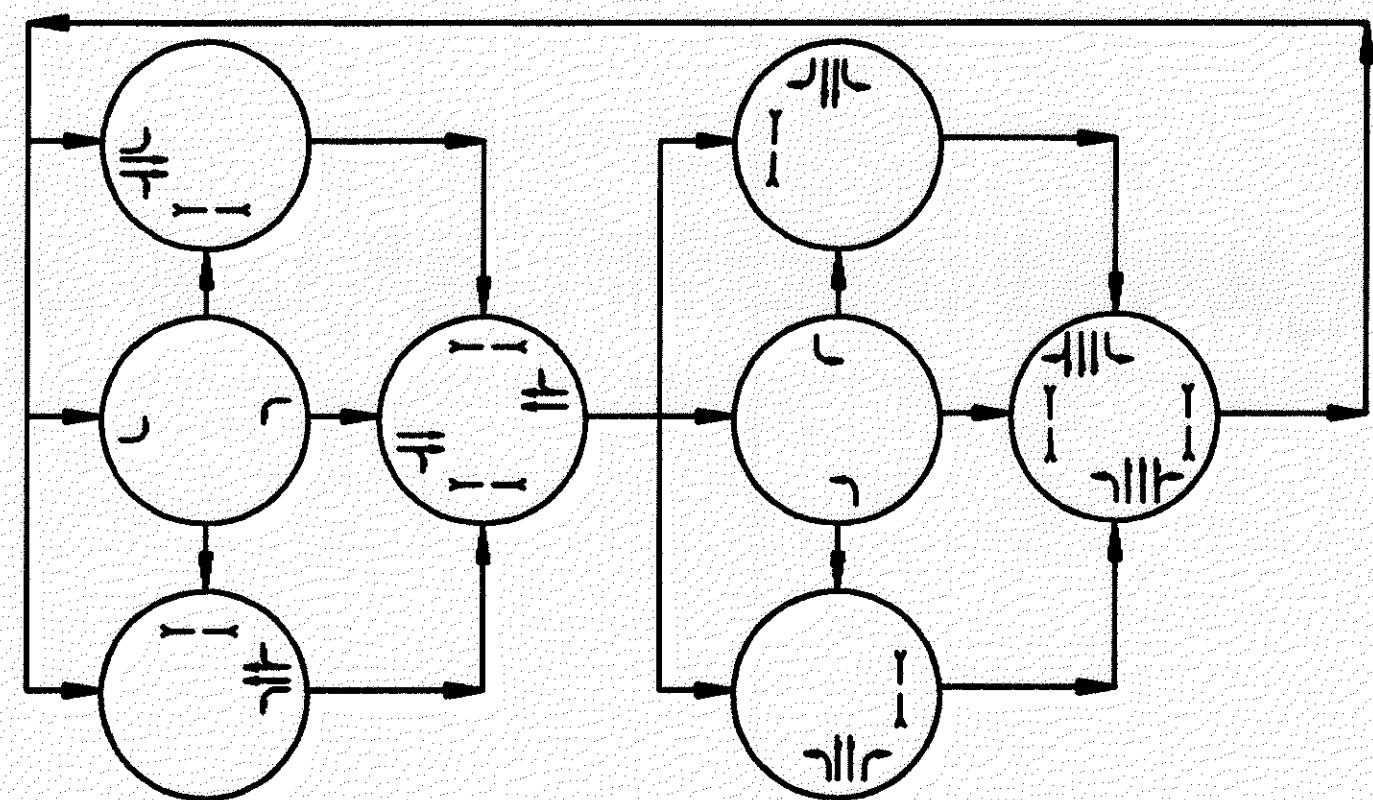


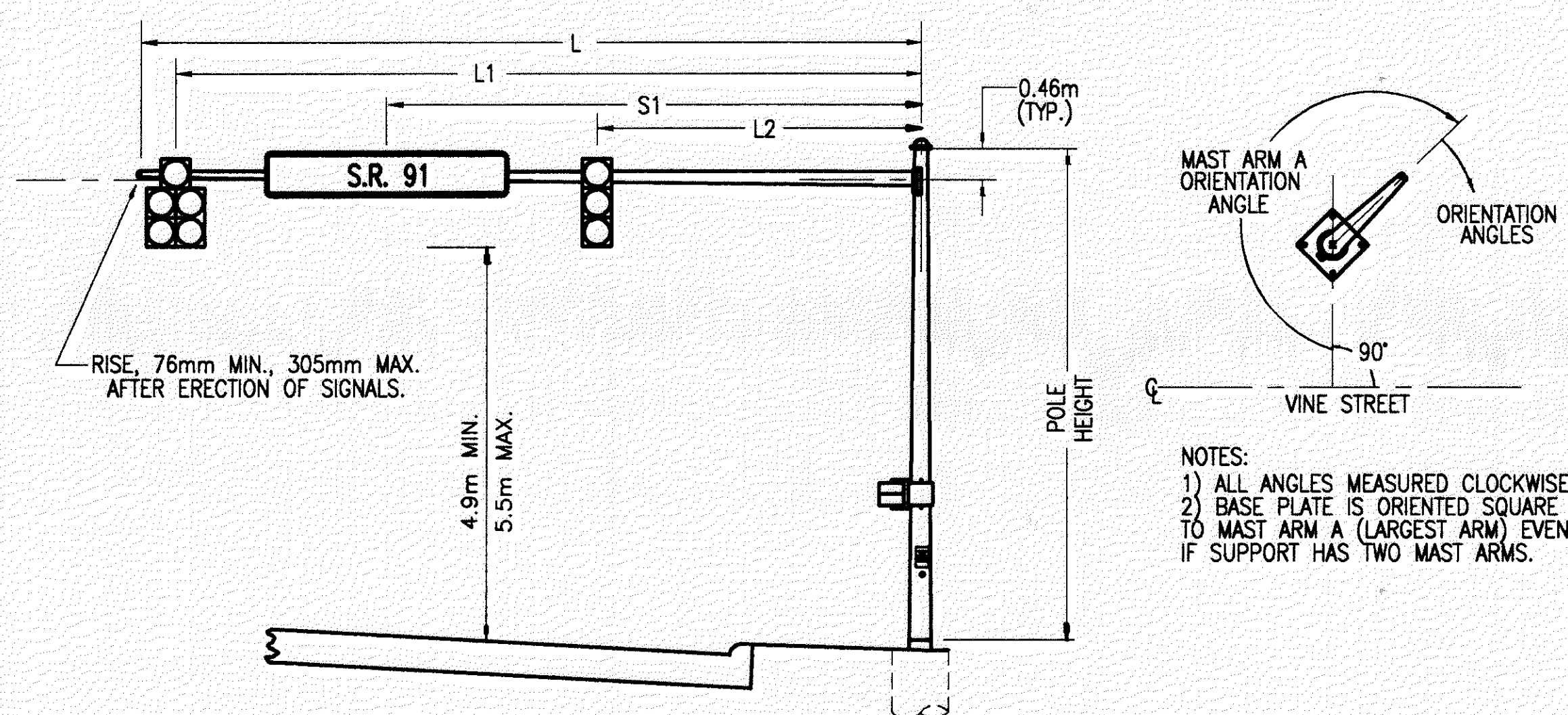
PHASING DIAGRAM



WIRING DIAGRAM

NOTE: EXISTING WIRING SHALL BE REUSED WHERE NO SPLICING IS REQUIRED. IF SPLICING IS REQUIRED, NEW WIRING SHALL BE INSTALLED. A QUANTITY OF SIGNAL CABLE AND LEAD-IN CABLE HAS BEEN INCLUDED FOR THIS PURPOSE. THIS SHALL ONLY BE USED AS DIRECTED BY THE ENGINEER. DETECTOR LOOPS SHALL BE RECONNECTED TO LOOP LEAD-IN CABLE. CONDUIT SHALL BE CLEANED AND REUSED UNLESS OTHERWISE INDICATED. A WATERTIGHT SEAL SHALL BE MADE WHERE EXISTING AND PROPOSED CONDUIT JOIN.

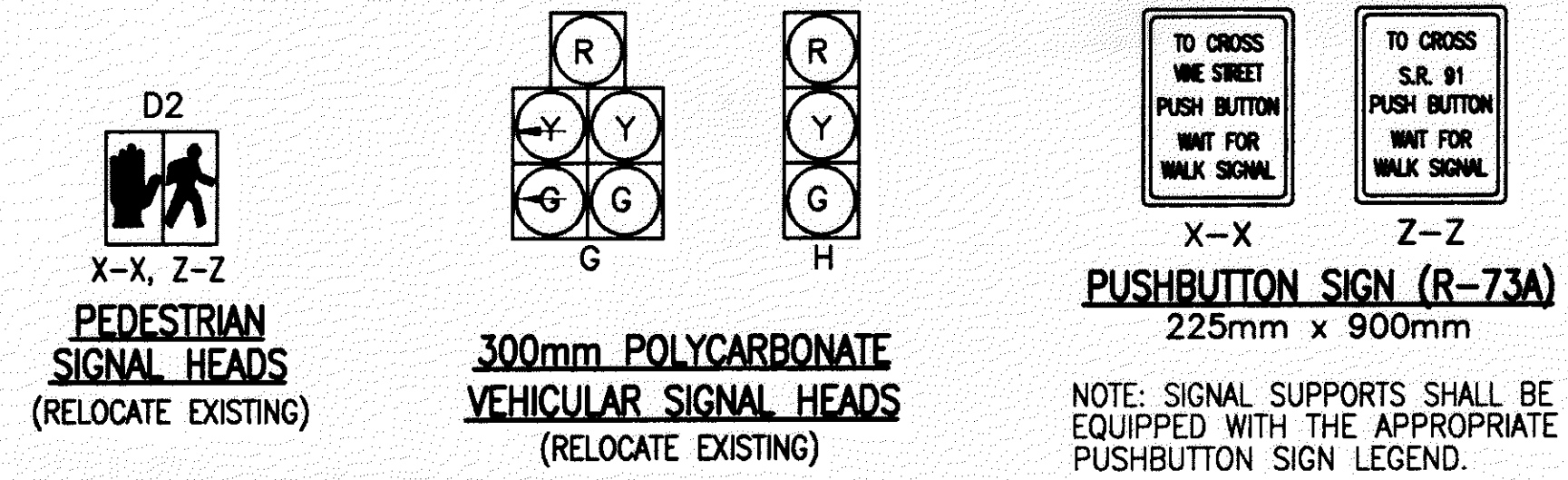
* REUSE LEAD-IN CABLE OR SIGNAL CABLE
 --- REUSE EXISTING CONDUIT



SIGNAL SUPPORT DETAIL & ORIENTATION ANGLE

STATION	OFFSET	POLE NUMBER	SIGNAL SUPPORT TYPE TC-81.20M					MAST ARM A ANGLE (DEGREES)	ORIENTATION ANGLE (DEG) FROM MAST ARM A									
			DESIGN NUMBER	POLE HEIGHT (Meters)	ARM LENGTH 'L' (Meters)				SIGNALS	SIGNS	MAST ARM B	PEDESTRIAN SIGNAL	PED. PUSHBUTTON	POWER SERVICE	CONTROLLER	LUMINAIRE BRACKET	HANDHOLE	CABLE ENTRANCE
2+776.28	16.18m LT.	P5	12	6.4	14.63	14.33	9.49		11.91	0	0/90	0/90					180	

NOTE: SIGNAL WILL CONTINUE TO OPERATE ON EXISTING PHASING AND TIMING.



LOOP	SIZE	TURNS	MODE	DELAY	PHASE	REMARK	LOCATION 1st FRONT CORNER	LOCATION 2nd FRONT CORNER
L-1	1.8x12.2	2	PRESENCE	-	φ3	STANDARD	2+765.6	2+777.8
L-2	1.8x1.8	3	PRESENCE	-		SYSTEM	2+765.6	2+767.4
L-3	1.8x1.8	3	PRESENCE	-		SYSTEM	2+765.6	2+767.4
L-4	1.8x12.2	2	PRESENCE	-	φ1	STANDARD	1+014.3(SR91)	1+026.5
L-5	1.8x1.8	3	PRESENCE	-	φ6	STANDARD	1+043.2(SR91)	1+045.0
L-6	1.8x1.8	3	PRESENCE	-	φ6	STANDARD	1+043.2(SR91)	1+045.0
L-7	1.8x1.8	3	PRESENCE	-	φ6	STANDARD	1+125.2(SR91)	1+127.0
L-8	1.8x1.8	3	PRESENCE	-	φ6	STANDARD	1+125.2(SR91)	1+127.0
L-9	1.8x12.2	2	PRESENCE	-	φ7	STANDARD	2+820.9	2+833.1
L-10	1.8x1.8	3	PRESENCE	-		SYSTEM	2+825.9	2+827.7
L-11	1.8x1.8	3	PRESENCE	-		SYSTEM	2+825.9	2+827.7
L-12	1.8x12.2	2	PRESENCE	-	φ5	STANDARD	0+974.2(SR91)	0+986.4
L-13	1.8x1.8	3	PRESENCE	-	φ2	STANDARD	0+949.0(SR91)	0+950.8
L-14	1.8x1.8	3	PRESENCE	-	φ2	STANDARD	0+949.0(SR91)	0+950.8
L-15	1.8x1.8	3	PRESENCE	-	φ2	STANDARD	0+876.1(SR91)	0+877.9
L-16	1.8x1.8	3	PRESENCE	-	φ2	STANDARD	0+876.1(SR91)	0+877.9
L-17	1.8x1.8	3	PRESENCE	-		SYSTEM	0+966.0(SR91)	0+964.2
L-18	1.8x1.8	3	PRESENCE	-		SYSTEM	0+966.0(SR91)	0+964.2
L-19	1.8x12.2	2	PRESENCE	-	φ4	STANDARD	2+820.9	2+833.1
L-20	1.8x12.2	2	PRESENCE	-	φ4	STANDARD	2+820.9	2+833.1
L-21	1.8x12.2	2	PRESENCE	-	φ8	STANDARD	2+765.6	2+777.8
L-22	1.8x12.2	2	PRESENCE	-	φ8	STANDARD	2+765.6	2+777.8

LOOP DETECTOR CHART

CALC. BY: A.E.P.
 CHECKED BY: I.M.H.

SIGNAL PLAN - SR. 91

LAK-640-2865 (178)