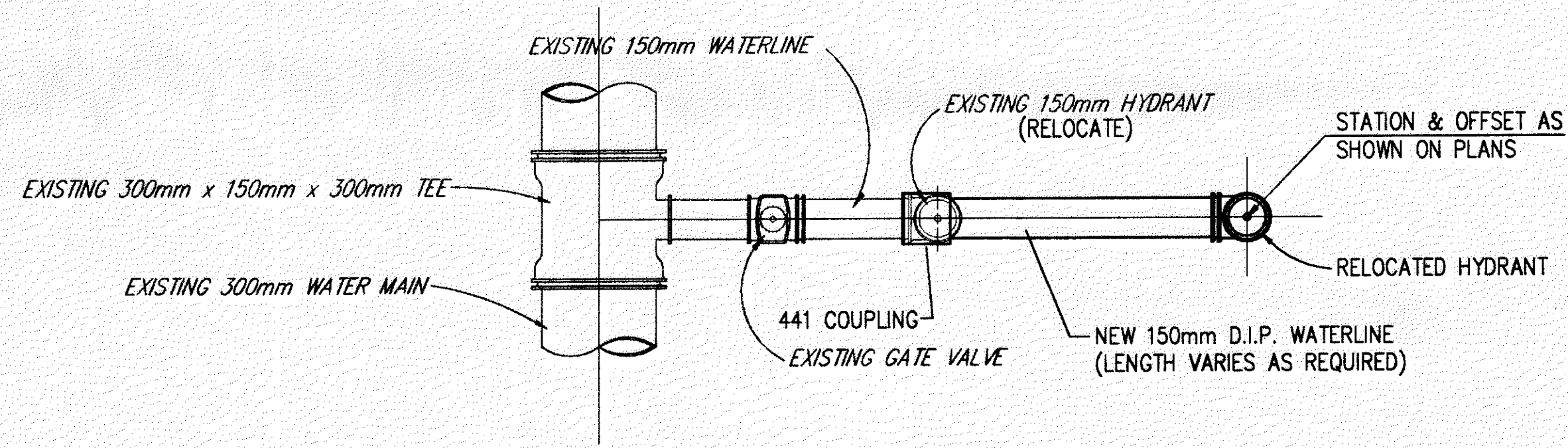
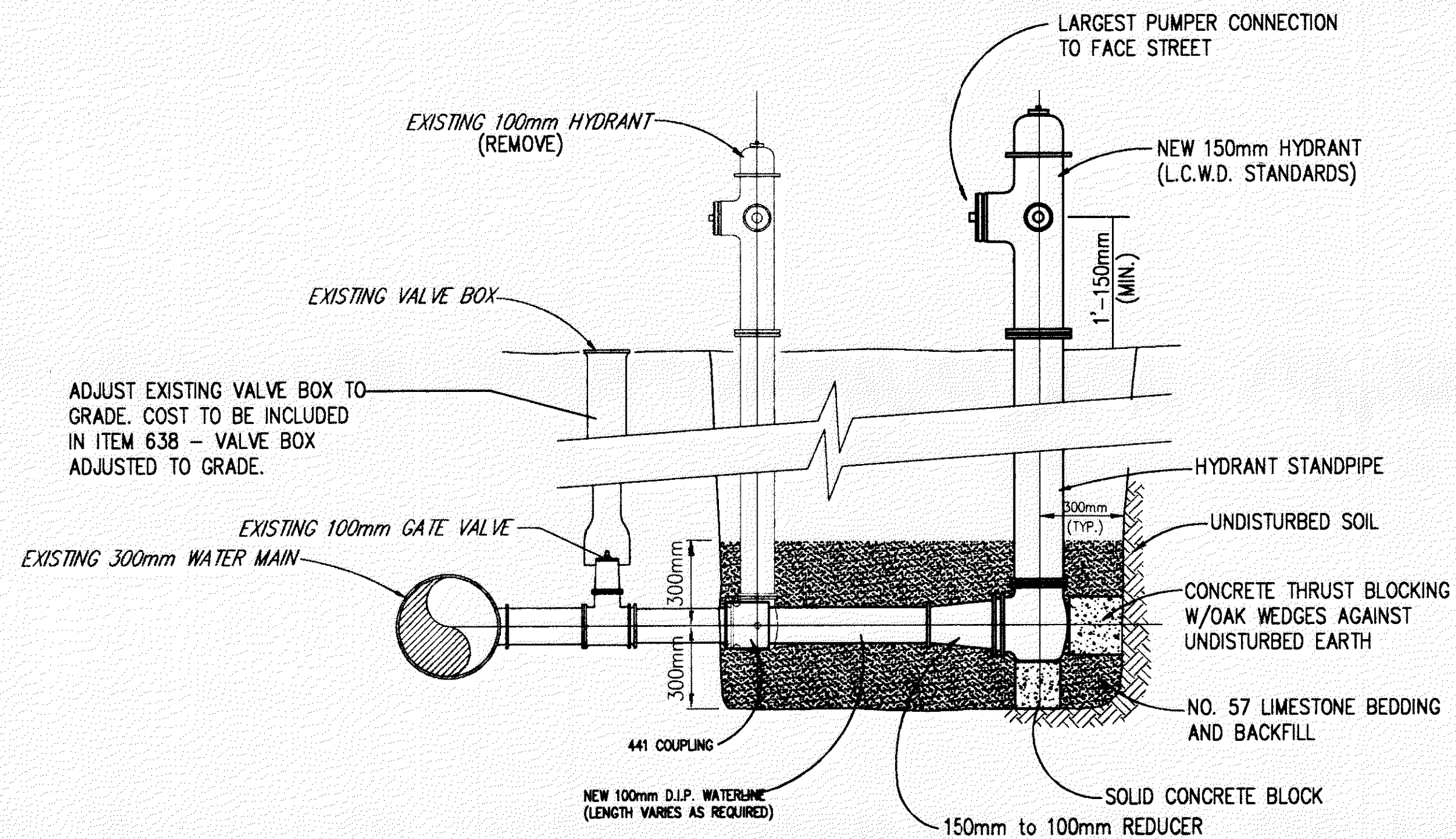


PLAN VIEW



PLAN VIEW

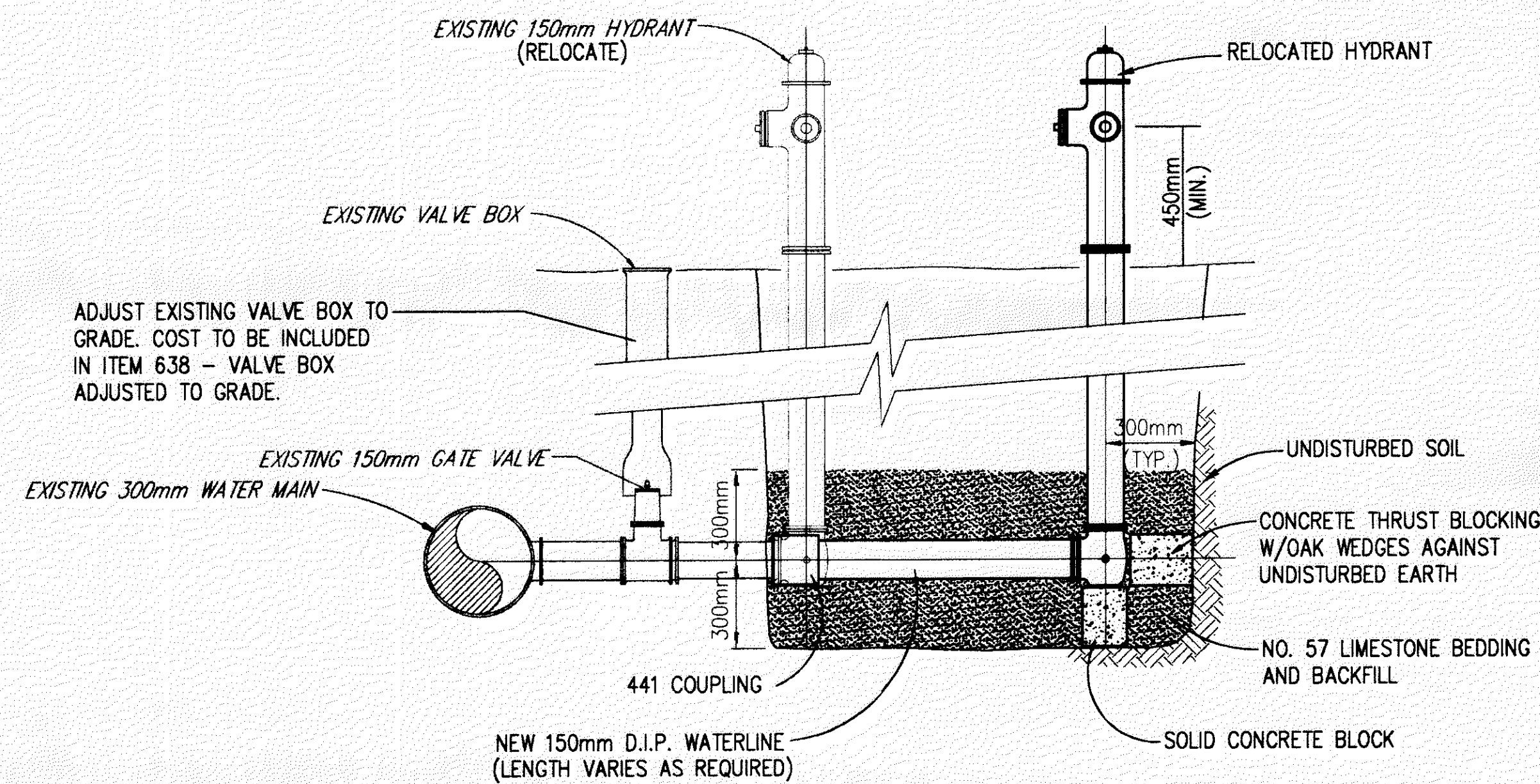


ELEVATION VIEW

ITEM SPEC. - HYDRANT REMOVED AND REPLACED

THE CONTRACTOR SHALL CAREFULLY REMOVE THE EXISTING HYDRANT, EXTEND THE 100mm WATERLINE AND INSTALL A 150mm TO 100mm REDUCER AND NEW 150mm FIRE HYDRANT AT THE LOCATIONS CALLED OUT ON THE PLAN SHEETS. ALL NEW WATERLINE MATERIAL AND FITTINGS SHALL BE PER LAKE COUNTY WATER DEPARTMENT STANDARDS. THE CONTRACTOR SHALL BE RESPONSIBLE FOR THE DISPOSAL OF THE EXISTING HYDRANT.

ALL COSTS ASSOCIATED WITH THIS WORK INCLUDING EXCAVATION; GRANULAR BACKFILL; FITTINGS; NUTS; BOLTS; ZINC PROTECTO CAPS; HYDRANT INLET PIPE AND EXTENSION; DEWATERING; SHEETING OR SHORING; PIPE BEDDING AND PIPE BACKFILL; DISPOSAL OF WASTE MATERIALS; PROTECTION OF STRUCTURES, UTILITIES, SERVICE CONNECTIONS OR OTHER FACILITIES; THRUST BLOCKING; JOINT RESTRAINTS; TESTING; FLUSHING; STERILIZING; AND PAINTING OF ALL HYDRANTS, TOGETHER WITH ALL LABOR, EQUIPMENT, TOOLS, AND MATERIALS NECESSARY TO COMPLETE THE WORK AS SHOWN, SPECIFIED OR AS DIRECTED BY THE ENGINEER SHALL BE INCLUDED IN ITEM SPEC. - HYDRANT REMOVED AND REPLACED



ELEVATION VIEW

ITEM SPEC. - HYDRANT REMOVED AND RELOCATED

THE CONTRACTOR SHALL CAREFULLY REMOVE THE EXISTING HYDRANT, EXTEND THE 150mm WATERLINE AND INSTALL THE RELOCATED FIRE HYDRANT AT THE LOCATION CALLED OUT ON THE PLANS. ALL NEW WATERLINE MATERIAL AND FITTINGS SHALL BE PER LAKE COUNTY WATER DEPARTMENT STANDARDS.

ALL COSTS ASSOCIATED WITH THIS WORK INCLUDING EXCAVATION; GRANULAR BACKFILL; FITTINGS; NUTS; BOLTS; ZINC PROTECTO CAPS; HYDRANT INLET PIPE AND EXTENSION; DEWATERING; SHEETING OR SHORING; PIPE BEDDING AND PIPE BACKFILL; DISPOSAL OF WASTE MATERIALS; PROTECTION OF STRUCTURES, UTILITIES, SERVICE CONNECTIONS OR OTHER FACILITIES; THRUST BLOCKING; JOINT RESTRAINTS; TESTING; FLUSHING; STERILIZING; AND PAINTING OF ALL HYDRANTS, TOGETHER WITH ALL LABOR, EQUIPMENT, TOOLS, AND MATERIALS NECESSARY TO COMPLETE THE WORK AS SHOWN, SPECIFIED OR AS DIRECTED BY THE ENGINEER SHALL BE INCLUDED IN ITEM SPEC. - HYDRANT REMOVED AND RELOCATED