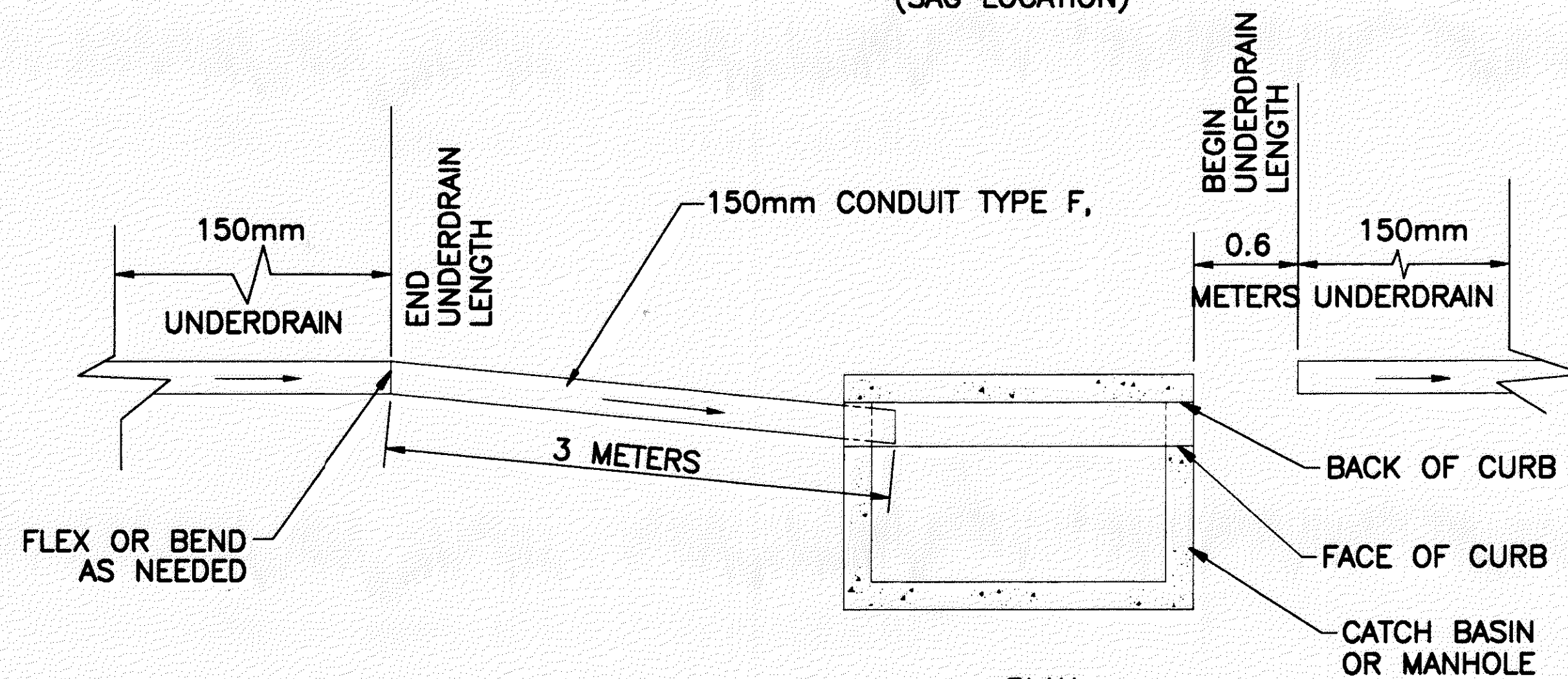


PLAN  
UNDERDRAIN CONNECTION TO OUTLET STRUCTURE  
(SAG LOCATION)



PLAN  
UNDERDRAIN CONNECTION TO OUTLET STRUCTURE  
(CONTINUOUS GRADE LOCATION)