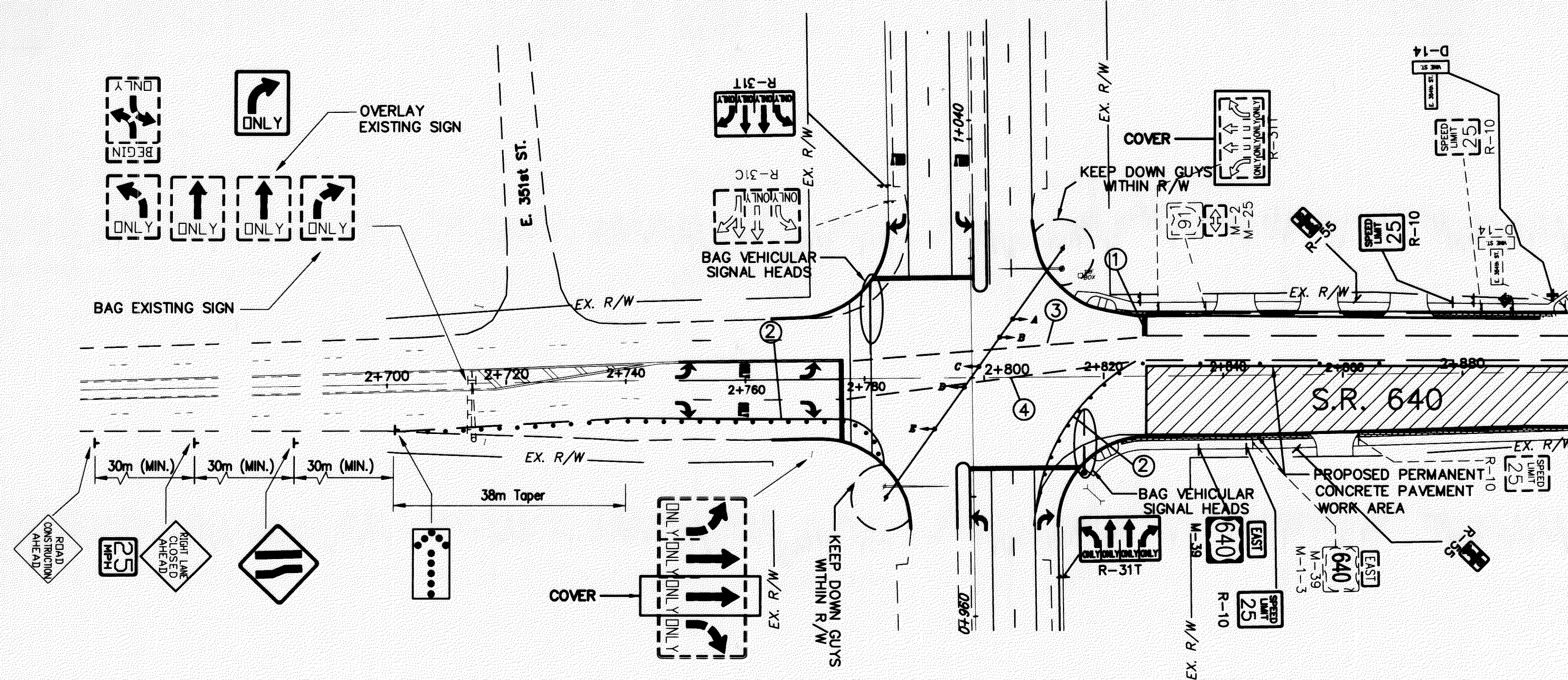


MAINTENANCE OF TRAFFIC

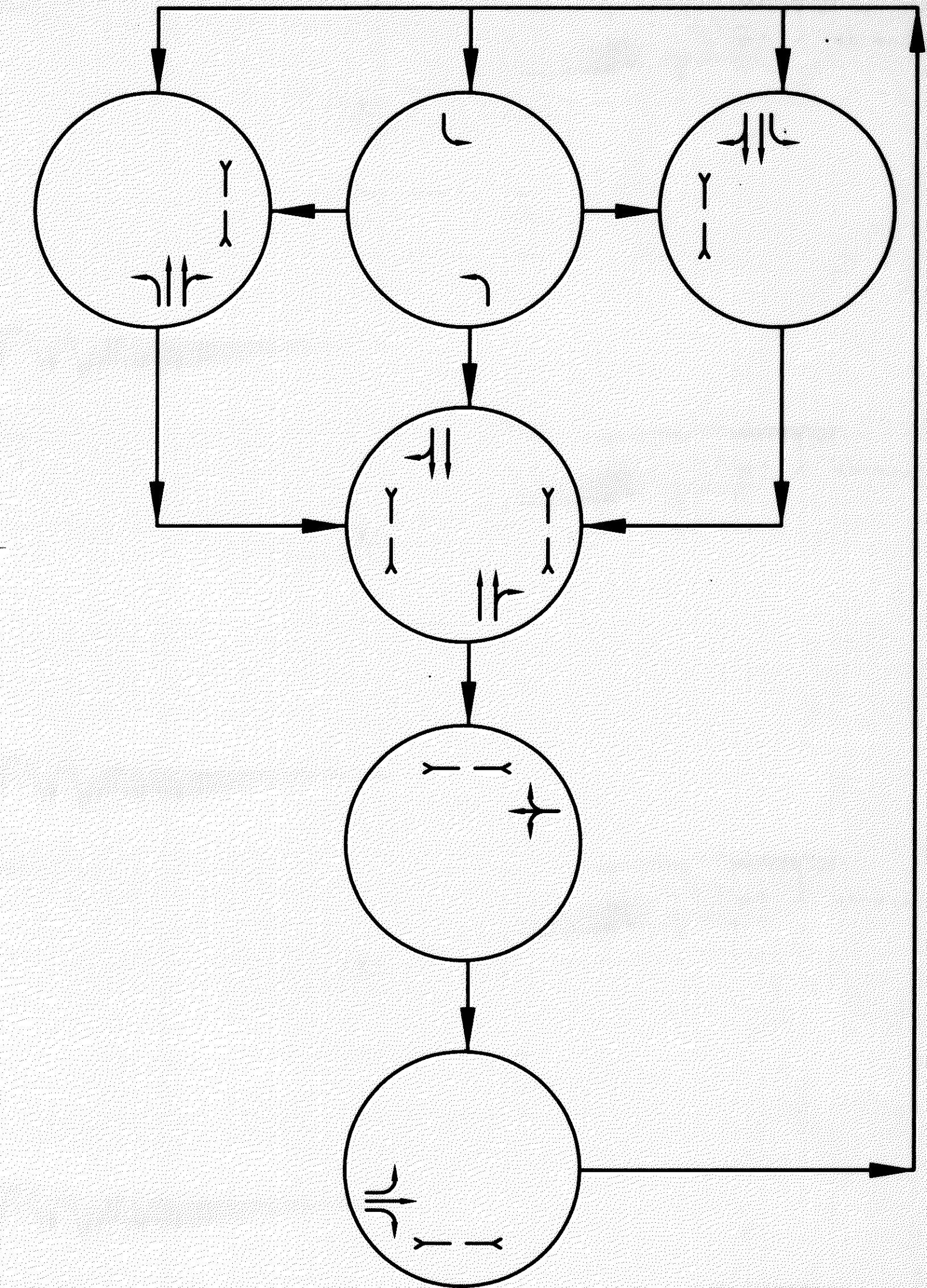
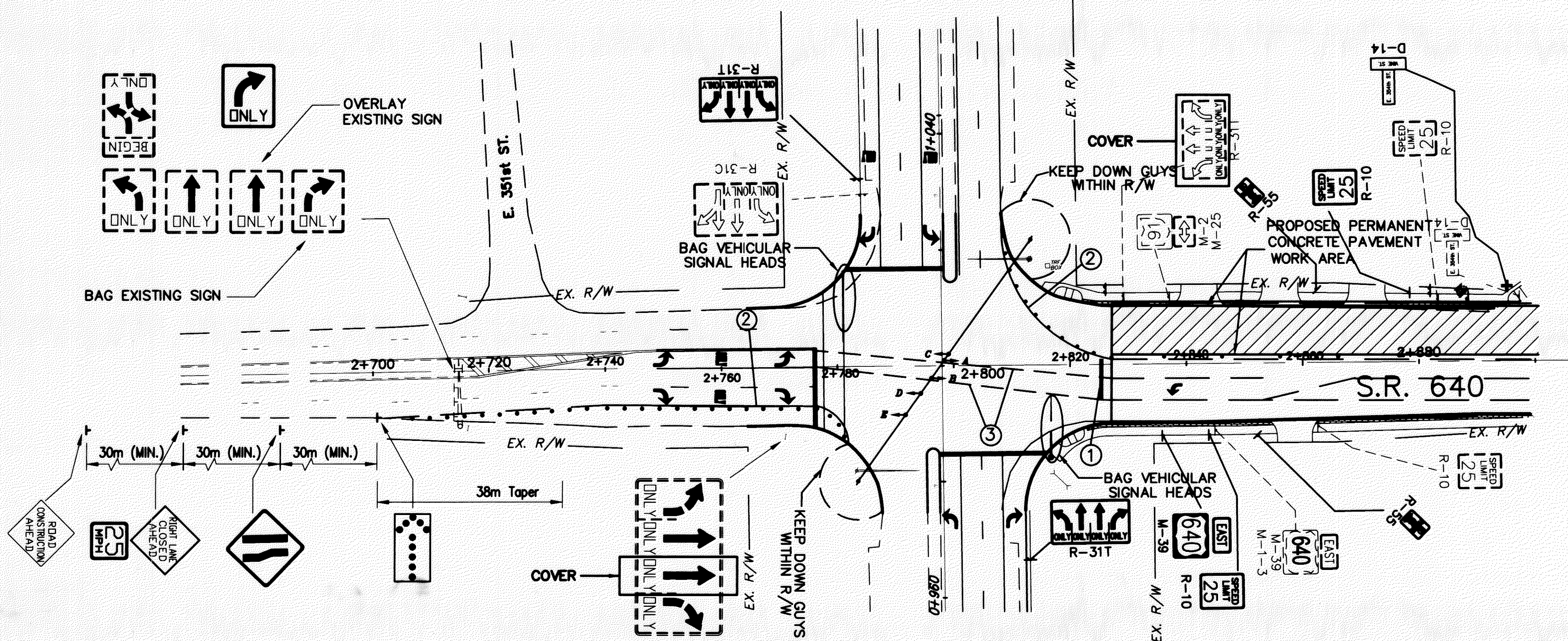
SECTION 1 - PHASE A

NOTE: WOOD POLES AND TEMPORARY SIGNAL SHALL BE INSTALLED AS INDICATED. FINAL SIGNAL HEAD LOCATION SHALL BE DETERMINED BY THE ENGINEER. PHASING SHALL BE SPLIT TO ALLOW SEPARATE WESTBOUND AND EASTBOUND MOVEMENTS. ENGINEER SHALL DETERMINE FINAL SIGNAL TIMINGS. ALL PEDESTRIAN SIGNALS AND PUSHBUTTONS SHALL REMAIN OPERATIONAL EXCEPT AS NEEDED FOR ONGOING CONDUIT WORK.

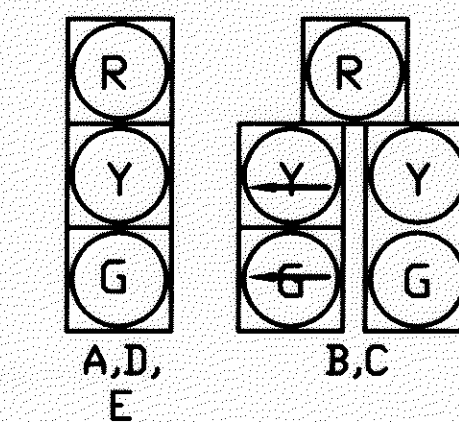


MAINTENANCE OF TRAFFIC

SECTION 1 - PHASE B



PHASING DIAGRAM



12" POLYCARBONATE VEHICULAR SIGNAL HEADS

- PLASTIC TRAFFIC DRUM
- ▨ PROPOSED PERMANENT PAVEMENT

CALC. BY: A.E.P.
CHECKED BY: I.M.H.

MAINTENANCE OF TRAFFIC
TEMPORARY SIGNAL DETAIL

LAK-640-2865 (1.78)

H:\1998\98208\DWG\MOT_Traf\MOTSIG.DWG (PLOT)