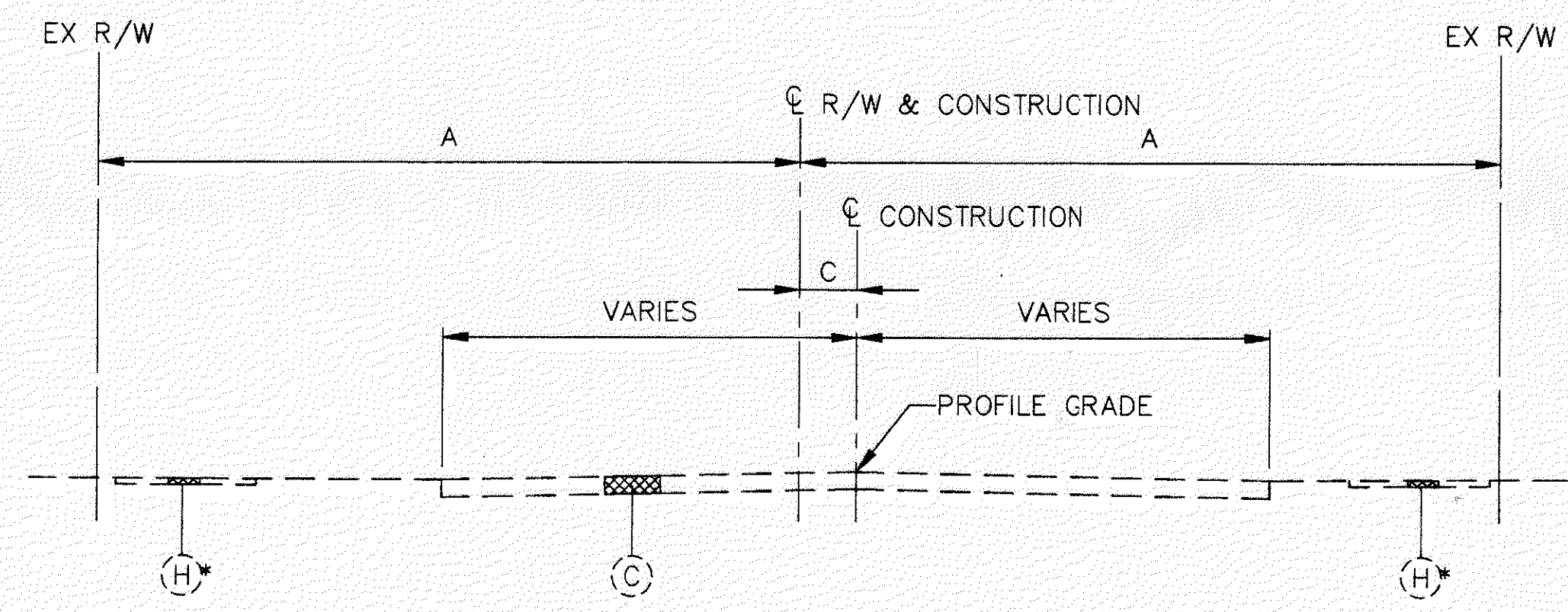
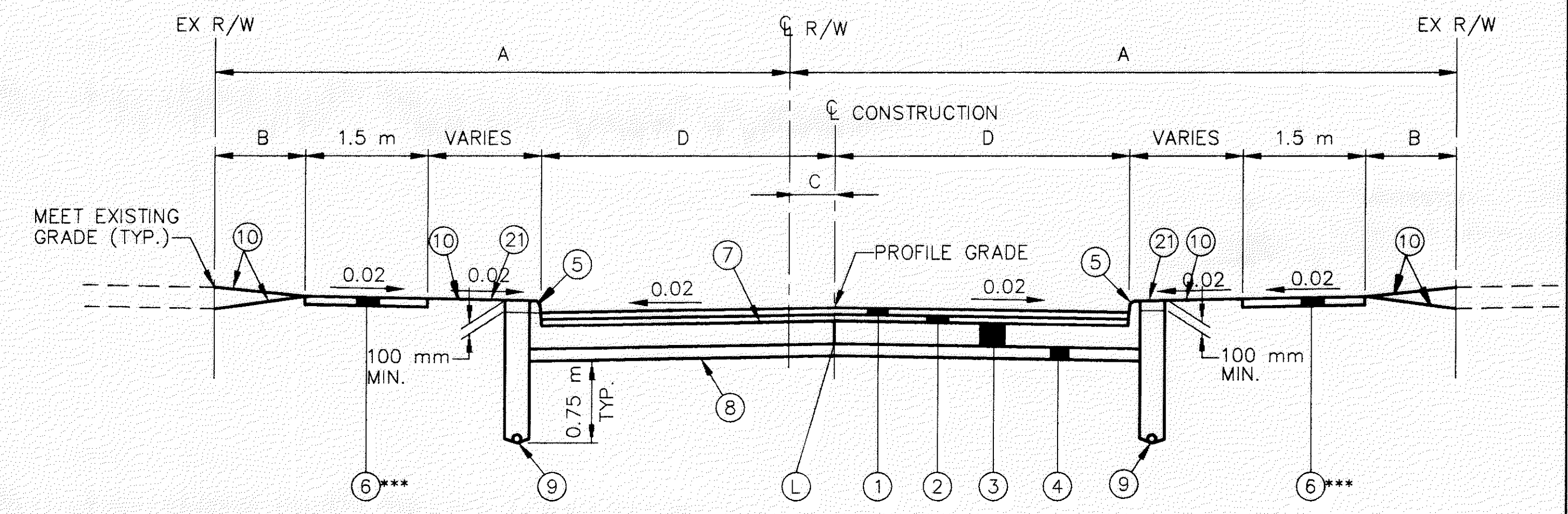


NOTE: PROPOSED CURB REVEAL SHALL BE 150mm.



EXISTING TYPICAL SECTION

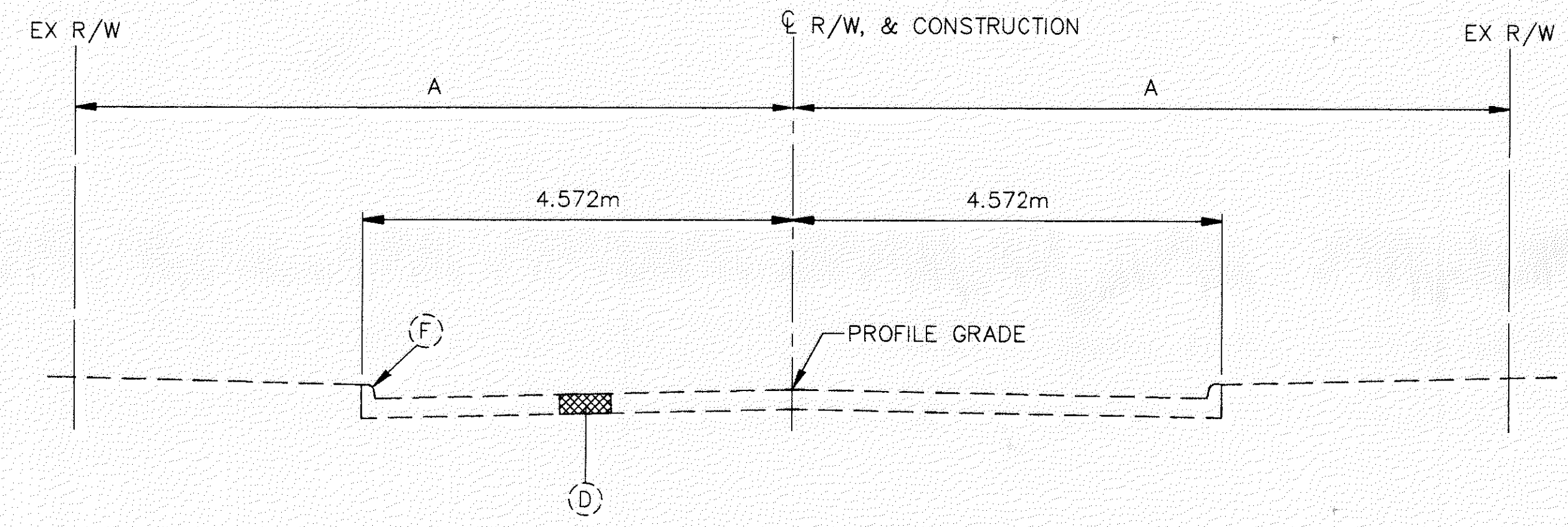
- * 354th ST., AND E. 355th ST., E. 357th ST.(NORTH), E. 359th ST.(NORTH),
- * 359th ST., (SOUTH), E. 360th ST., E. 362nd ST. E. 363rd ST., E. 364th ST.



NORMAL TYPICAL SECTION

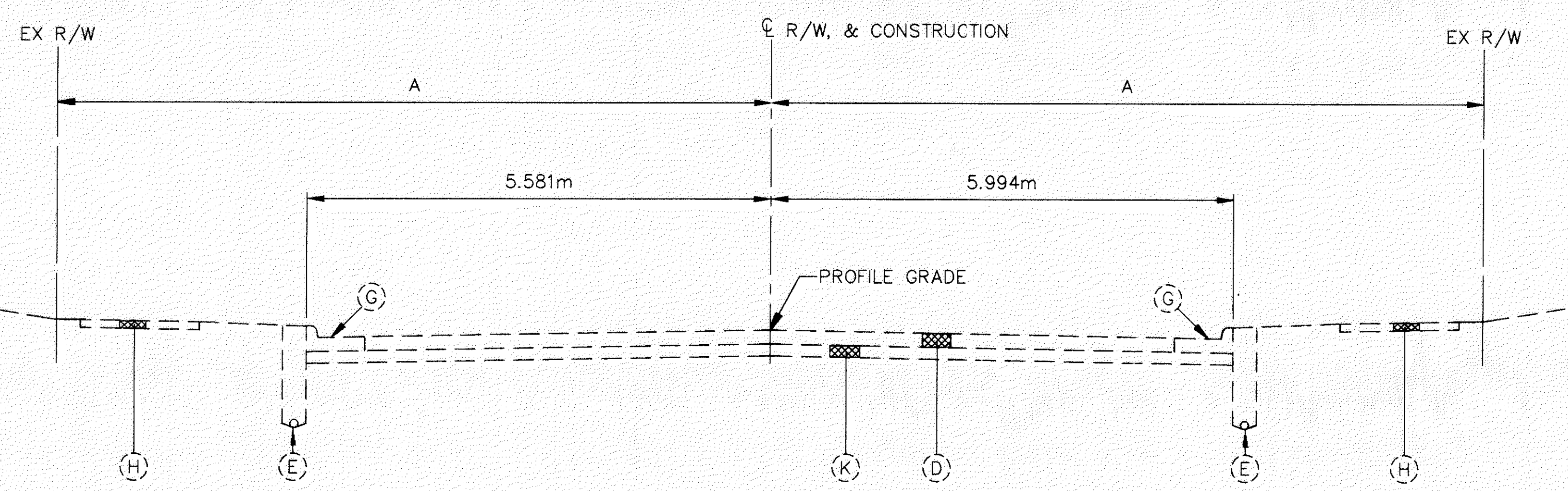
ALL SIDE ROADS

*** ITEM 608 - 100 mm CONCRETE WALK
E. 354th ST., E. 355th ST., E. 357th ST. (NORTH & SOUTH),
E. 359th ST. (NORTH & SOUTH), E. 360th ST. E. 361st ST., E. 362nd ST.
(LEFT SIDE ONLY), E. 363rd ST. (LEFT SIDE ONLY), and E. 364th ST.



EXISTING TYPICAL SECTION

EAST 357th STREET (SOUTH OF S.R. 640)



EXISTING TYPICAL SECTION

EAST 361st STREET

SIDE ROAD	STATION TO STATION	LENGTH meters	A	B	C	D
			meters	meters	meters	meters
E. 354th ST.	1+009.00 TO 1+030.00	21.00	9.144	0.337m (LT.) 0.108m (RT.)	0.656 LT.	3.6m
E. 355th ST.	0+970.00 TO 0+991.00	21.00	7.62	0.15m	0.4m LT.	3.6m
E. 357th ST. (NORTH OF S.R. 640)	1+009.00 TO 1+030.00	21.00	9.144	0.6m	0.0	3.6m
E. 357th ST. (SOUTH OF S.R. 640)	0+970.00 TO 0+991.00	21.00	7.620	0.6m	0.0	4.572
E. 359th ST. (NORTH OF S.R. 640)	1+009.00 TO 1+050.00	41.00	7.620	0.6m	0.0	3.6m
E. 359th ST. (SOUTH OF S.R. 640)	0+960.00 TO 0+991.00	31.00	7.620	0.6m	0.508 RT.	3.6m
E. 360th ST.	1+009.00 TO 1+050.00	41.00	6.096	0.252m (LT.) 1.14m (RT.)	0.444 LT.	3.6m
E. 361st ST.	0+970.00 TO 0+991.00	21.00	9.144	0.538m (LT.) 0.119m (RT.)	0.0	5.581 LT. 5.994 RT.
E. 362nd ST.	1+009.00 TO 1+050.00	41.00	6.096	0.6m (LT.)	1.039 RT.	3.6m
E. 363rd ST.	0+970.00 TO 0+991.00	21.00	6.096	0.6m (LT.)	1.061 RT.	3.6m
E. 364th ST.	1+009.00 TO 1+040.00	31.00	7.620	0.289m (LT.) 0.0m (RT.)	0.0	3.6m

FOR EXISTING LEGEND SEE SHEET 3.
FOR LEGEND SEE SHEET 4.

TYPICAL SECTIONS - SIDE ROADS

LAK - 640 - 2.865 (1.78)

H:\1998\98208\CAD\141995\0.DWG