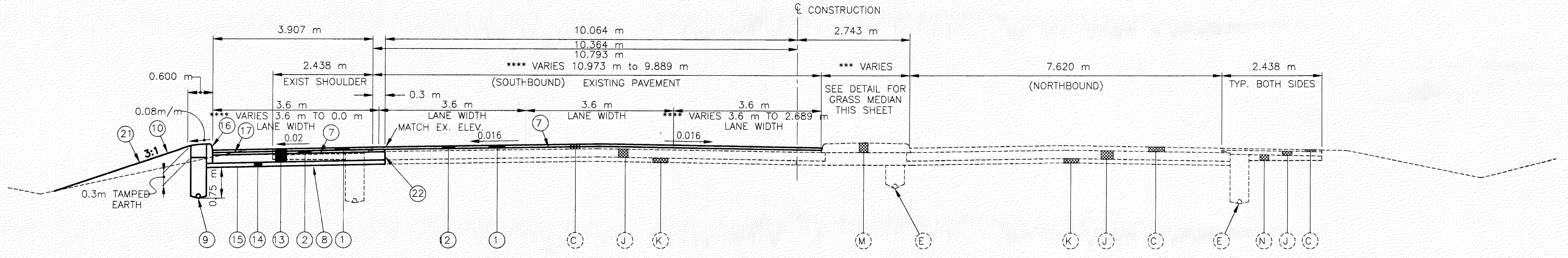


** 3.048 m at STA. 0+858.341 to 2.134 m at STA. 0+879.068
2.134 m from STA. 0+879.068 to STA. 0+974.768

NORMAL SECTION - S.R. 91

* STA. 0+810.000 to STA. 0+879.954	=	69.954 m
STA. 0+879.954 to STA. 0+974.789	=	94.835 m
		164.789 m

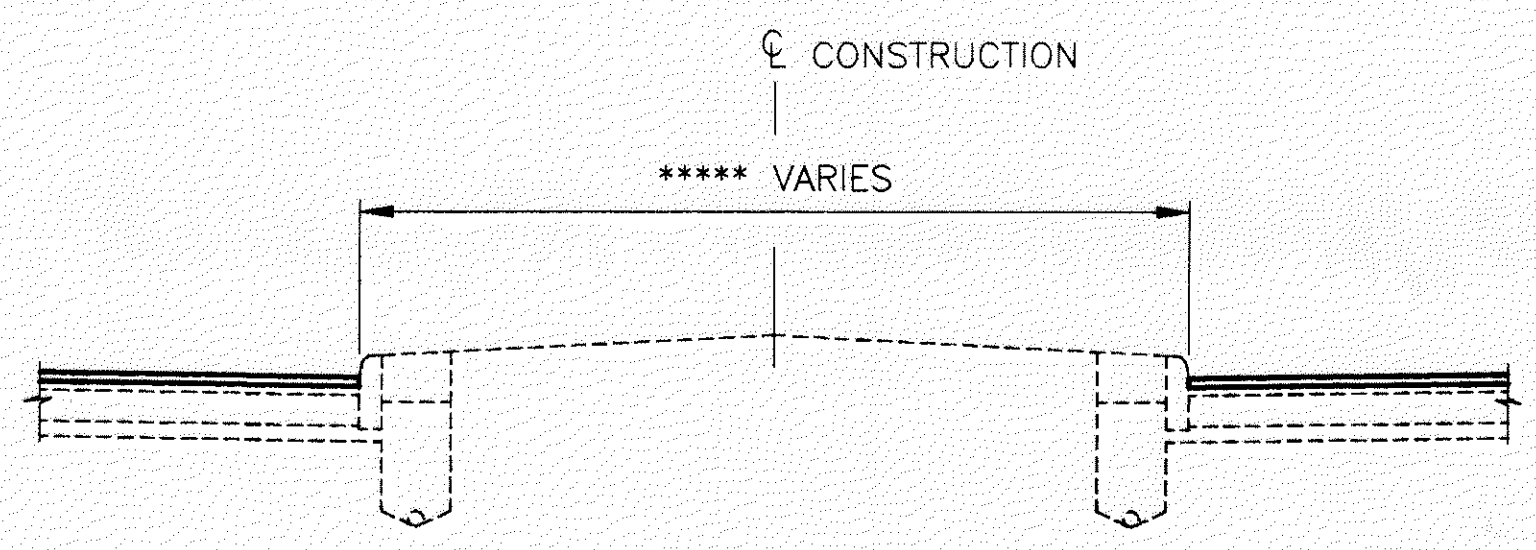
- NOTE: 1) EXISTING UNDERDRAINS TO BE REMOVED UNDER ITEM 203 - EXCAVATION, NOT INCLUDING EMBANKMENT CONSTRUCTION.
2) PROPOSED CURB REVEAL SHALL BE 150mm.



*** 2.134 m from STA. 1+120.774 to STA. 1+025.424
2.134 m at STA. 1+120.774 to 3.048 m at STA. 1+141.500

NORMAL SECTION - S.R. 91

STA. 1+025.305 to STA. 1+120.774	=	95.499 m
STA. 1+120.774 to STA. 1+150.000	=	29.226 m
		124.695 m



***** 3.203 m at STA. 0+854.768 to 3.048 m at STA. 0+858.341
3.048 m at STA. 1+141.50 to 3.218 m at STA. 1+145.424

GRASS MEDIAN DETAIL

FOR EXISTING LEGEND SEE SHEET 3
FOR LEGEND SEE SHEET 4