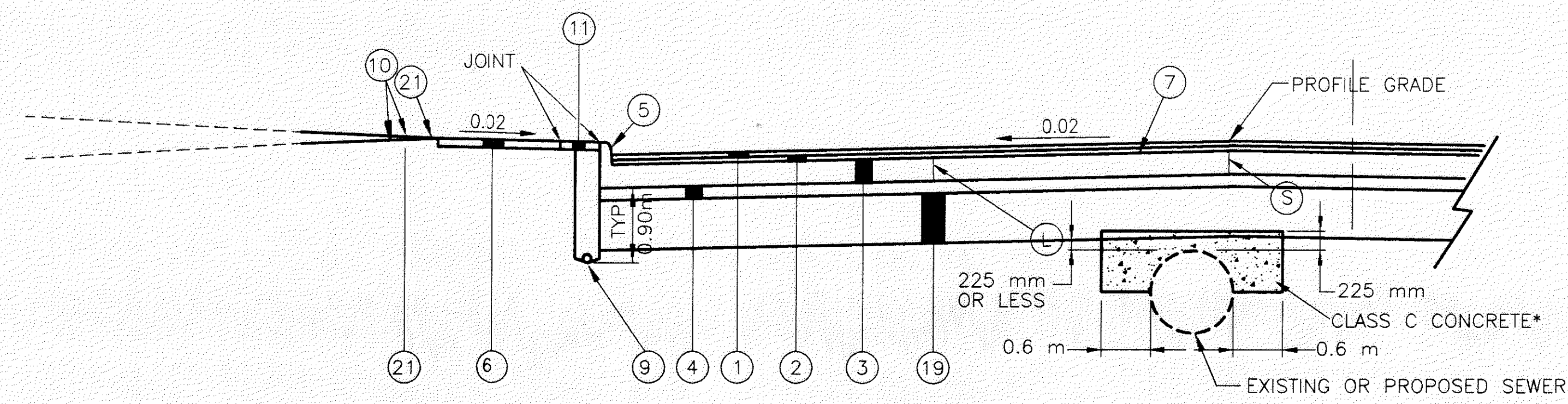


NORMAL SECTION - S.R. 640

STA. 2+827.154 TO STA. 2+840.000 = 12.846 m
 * STA. 2+840.000 TO STA. 2+890.000 = 50.000 m
 ** STA. 2+890.000 TO STA. 3+520.000 = 630.000 m
 *** STA. 3+520.000 TO STA. 3+539.400 = 19.400 m
 712.246 m

LEGEND

- ① ITEM 448 - 32 mm ASPHALT CONCRETE SURFACE COURSE, TYPE 1, PG. 64-22
- ② ITEM 448 - 45 mm ASPHALT CONCRETE INTERMEDIATE COURSE, TYPE 2, PG. 64-22
- ③ ITEM 305 - 230 mm CONCRETE BASE
- ④ ITEM 304 - 150 mm AGGREGATE BASE, AS PER PLAN
- ⑤ ITEM 830 - CURB, TYPE 2-B
- ⑥ ITEM 608 - 100 mm CONCRETE WALK
- ⑦ ITEM 407 - TACK COAT
- ⑧ ITEM 203 - SUBGRADE COMPACTION (FOR AREA 1.8 m OR GREATER IN WIDTH)
- ⑨ ITEM 605 - 150 mm SHALLOW PIPE UNDERDRAIN WITH FABRIC WRAP
- ⑩ ITEM 660 - SODDING UNSTAKED
- ⑪ ITEM 608 - 100 mm CONCRETE WALK, AS PER PLAN
- ⑫ ITEM 254 - 32 mm PAVEMENT PLANNING, BITUMINOUS
- ⑬ ITEM 301 - 220 mm BITUMINOUS AGGREGATE BASE, PG 64-22
- ⑭ ITEM 304 - 150 mm AGGREGATE BASE, AS PER PLAN (S.R. 91)
- ⑮ ITEM 408 - PRIME COAT
- ⑯ ITEM 830 - CURB, TYPE 6
- ⑰ ITEM 407 - TACK COAT FOR INTERMEDIATE COURSE
- ⑱ ITEM 301 - 118 mm BITUMINOUS AGGREGATE BASE
- ⑲ ITEM 304 - 600 mm AGGREGATE BASE, AS PER PLAN
- ⑳ ITEM 203 - LINEAR GRADING
- ㉑ ITEM 870 - TOPSOIL FURNISHED AND PLACED, AS PER PLAN
- ㉒ ITEM 255 - FULL DEPTH PAVEMENT SAWING
- L STANDARD LONGITUDINAL PAVEMENT JOINT
- S STANDARD LONGITUDINAL PAVEMENT JOINT WITHOUT TIE BARS



TYPICAL DETAIL - SOFT SUBGRADE - 600 mm UNDERCUT
 (ALL WORK SHALL BE AS DIRECTED BY THE ENGINEER)

*NOTE: THE COST OF FURNISHING AND PLACING CLASS C CONCRETE CAP SHALL BE CONSIDERED TO BE INCIDENTAL TO THE COST OF THE ITEM 304 - 600 mm AGGREGATE BASE, AS PER PLAN CONTINGENCY ITEM.

H:\1998\98208\DWG\14199GYA.DWG

TYPICAL SECTIONS - S.R. 640

LAK - 640 - 2.865 (1.78)