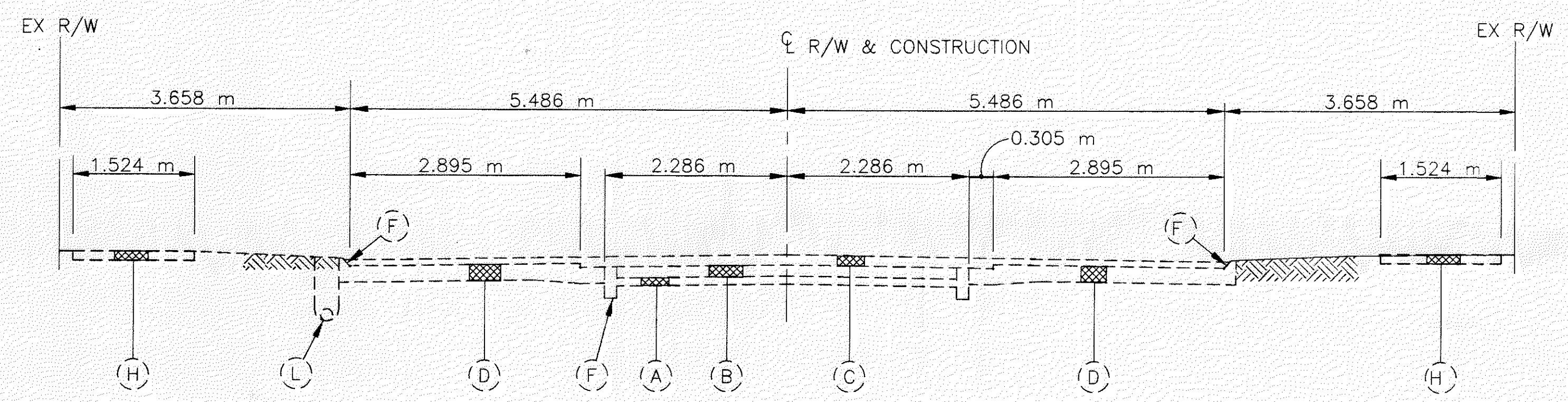
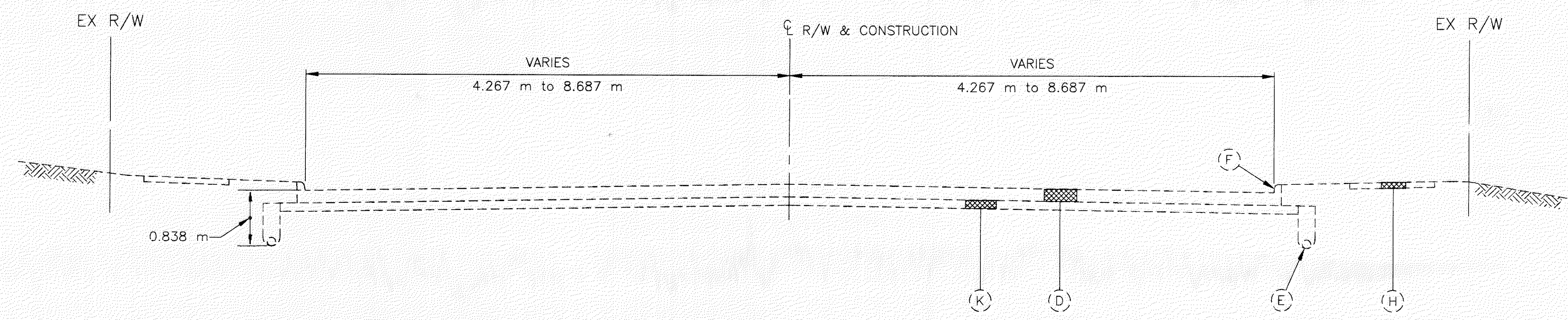


**EXISTING SECTION - S.R. 640**  
STA. 2+823.605 to STA. 2+948.00



**EXISTING SECTION - S.R. 640**  
STA. 2+948.00 to STA. 3+459.48



**EXISTING SECTION - S.R. 640**  
STA. 3+459.48 to STA. 3+540

- EXISTING LEGEND
- (A) EXISTING CONCRETE
  - (B) EXISTING BRICK W/SAND CUSHION
  - (C) EXISTING ASPHALT CONCRETE
  - (D) EXISTING REINFORCED CONCRETE
  - (E) EXISTING SHALLOW PIPE UNDERDRAIN
  - (F) EXISTING CONCRETE CURB
  - (G) EXISTING CONCRETE CURB AND GUTTER
  - (H) EXISTING CONCRETE SIDEWALK
  - (I) EXISTING RUBBERIZED SAND-ASPHALT
  - (J) EXISTING BITUMINOUS AGGREGATE BASE
  - (K) EXISTING SUBBASE
  - (L) EXISTING DRAIN TILE
  - (M) EXISTING CONCRETE MEDIAN
  - (N) EXISTING AGGREGATE BASE

H:\1998\98208\DWG\14199CYB.DWG