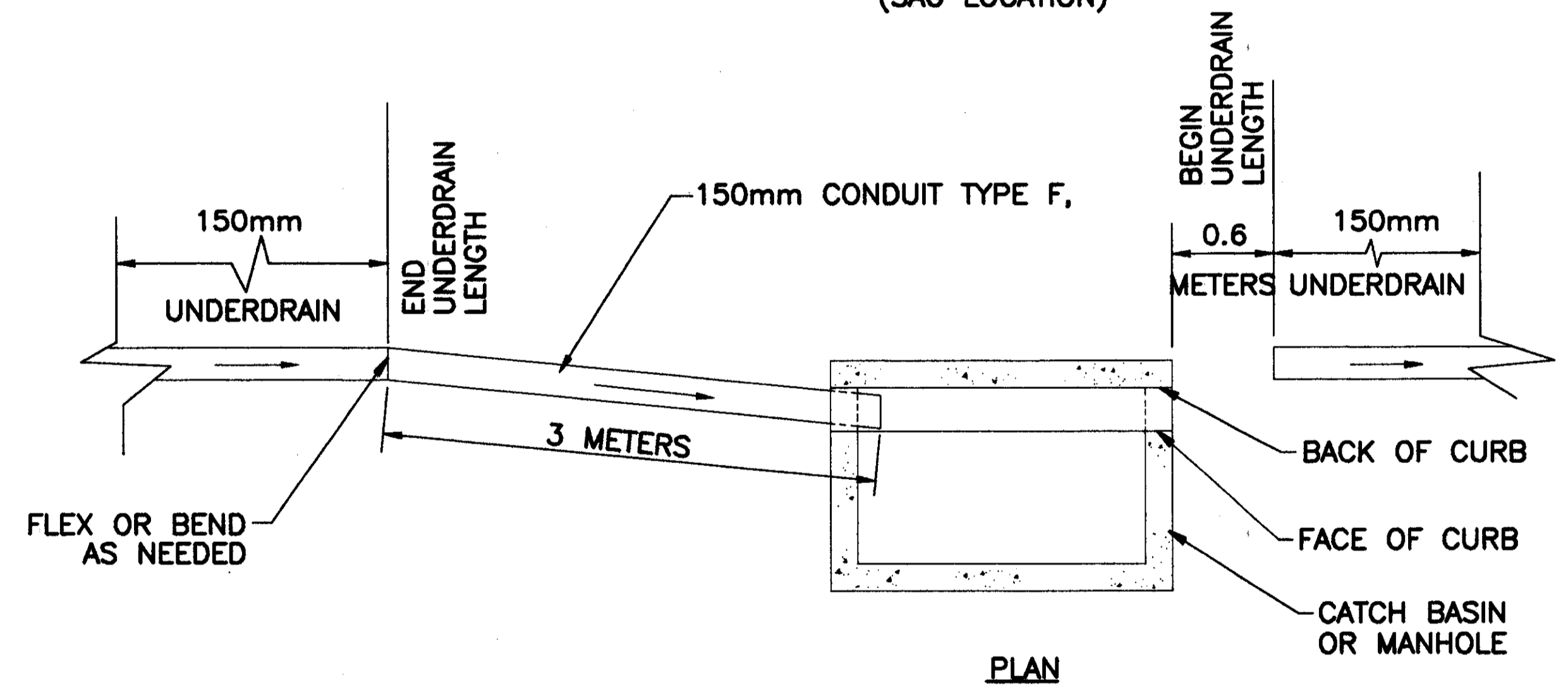


PLAN
UNDERDRAIN CONNECTION TO OUTLET STRUCTURE
(SAG LOCATION)



PLAN
UNDERDRAIN CONNECTION TO OUTLET STRUCTURE
(CONTINUOUS GRADE LOCATION)

H:\1998\98208\DWG\94035GM1.DWG