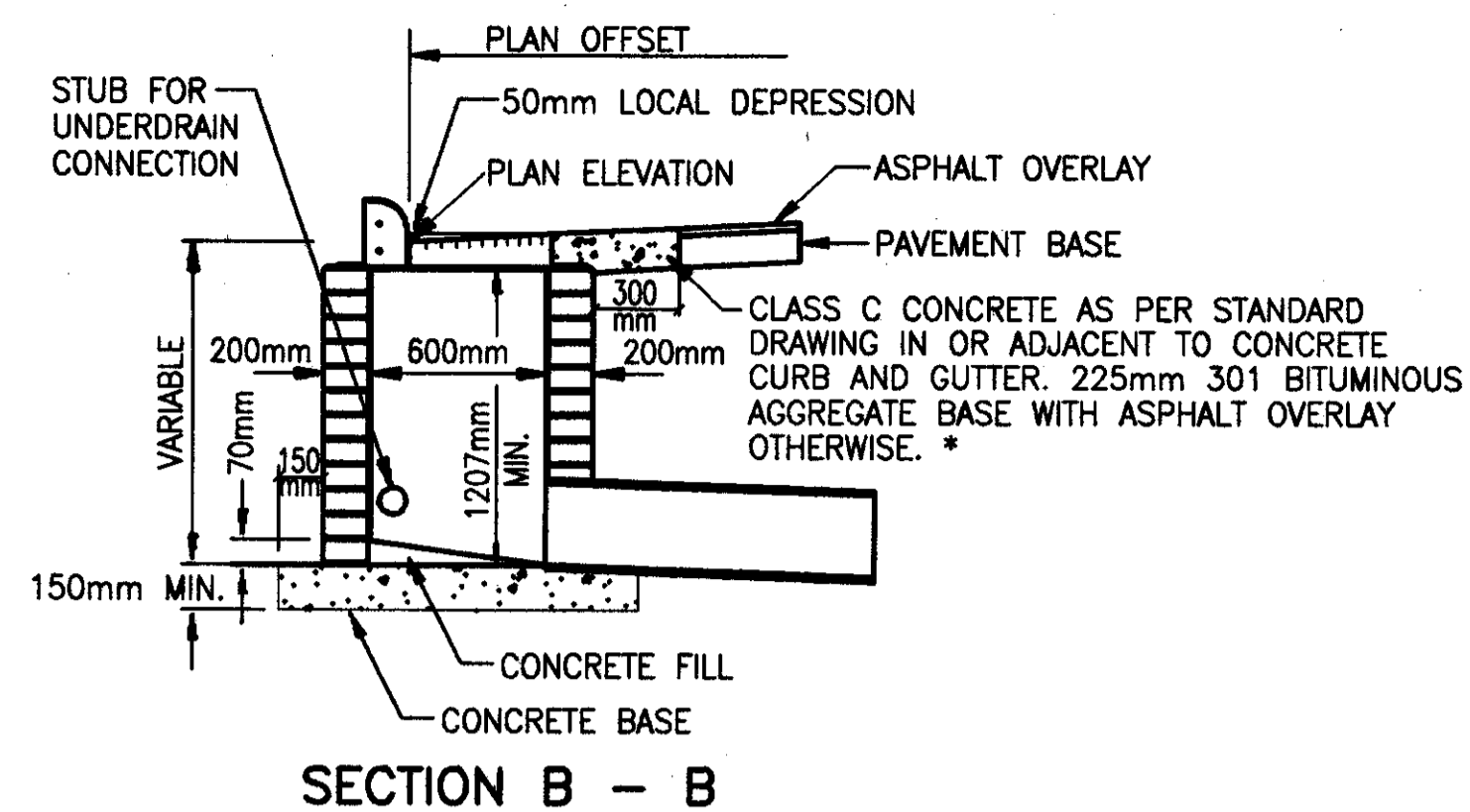
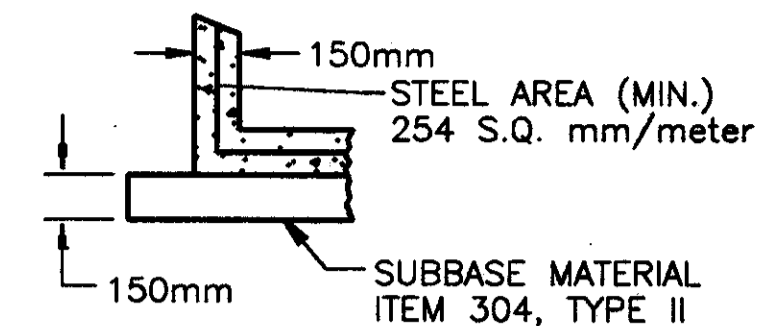


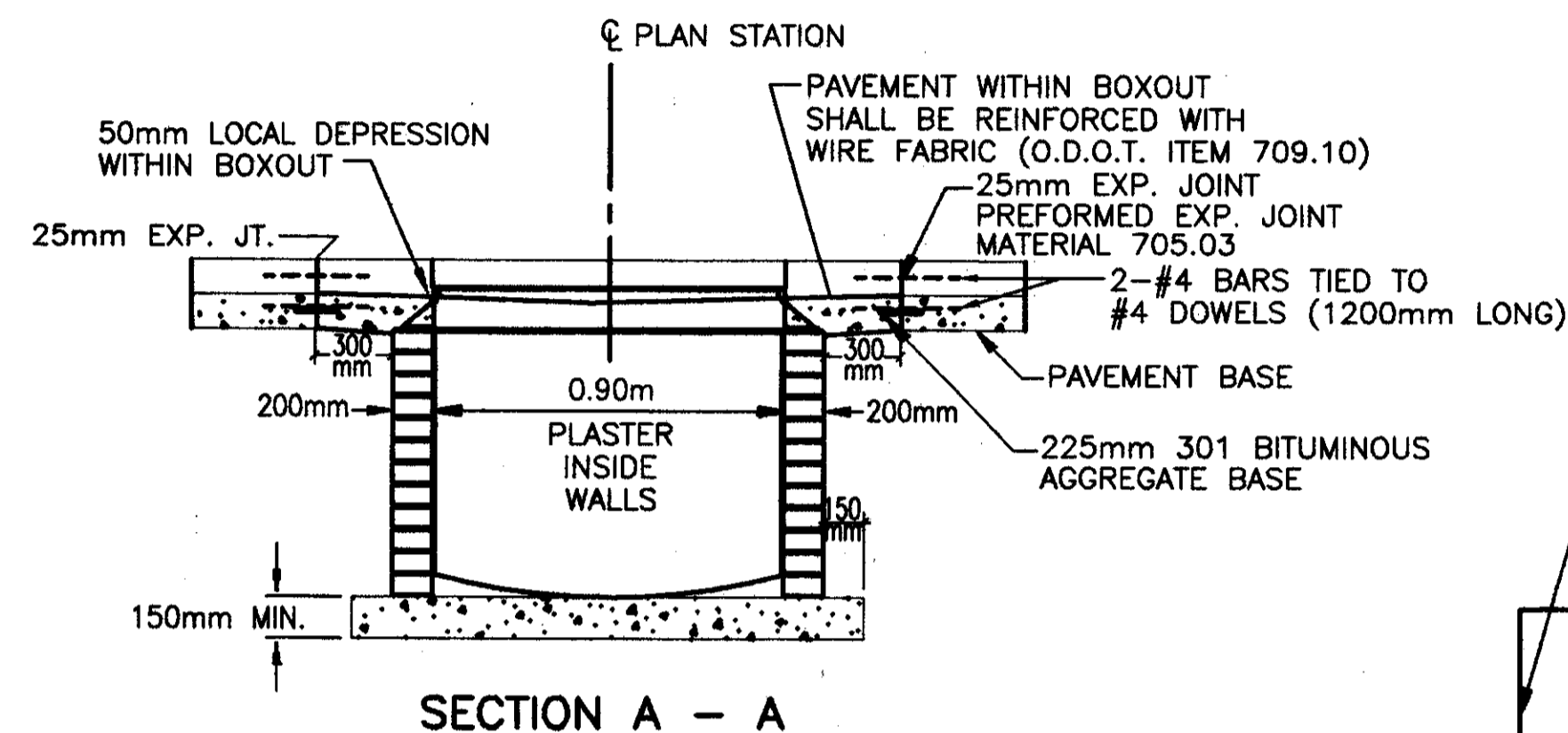
FIELD TEE CONNECTION
N.T.S.



SECTION B - B

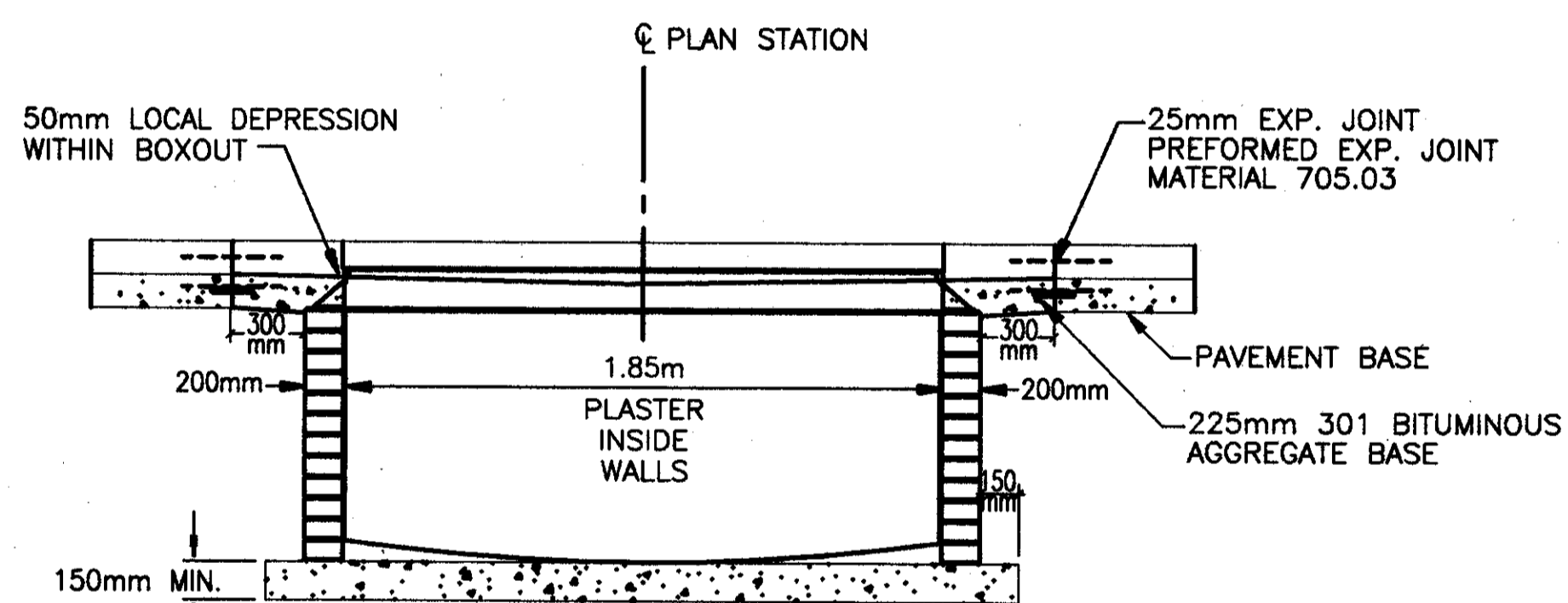


NO. 3 AND NO. 3A, AS PER PLAN
PRECAST OPTION



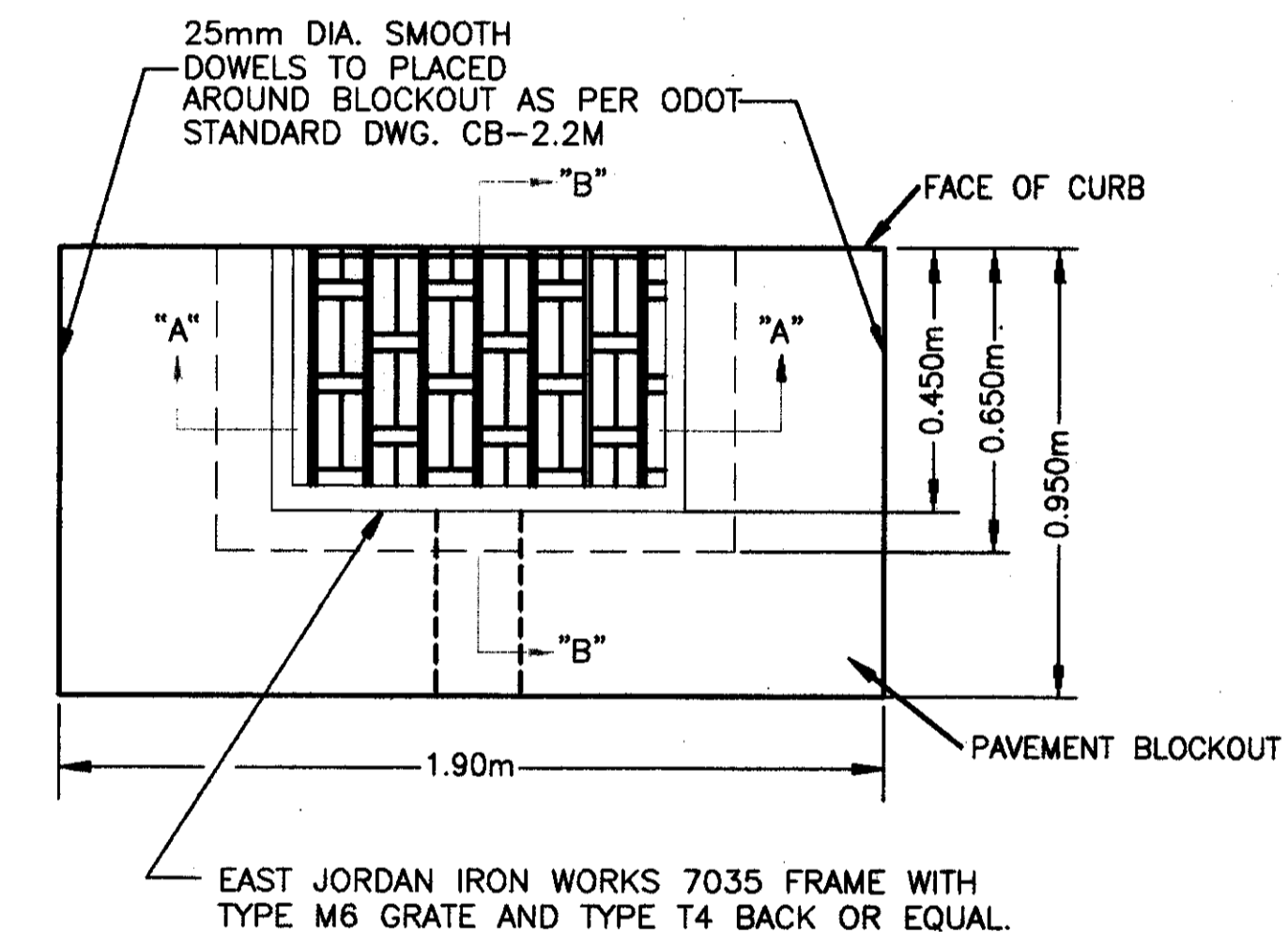
SECTION A - A

*ALL COSTS ASSOCIATED WITH THE PLACEMENT OF THE 225mm 301 BITUMINOUS AGGREGATE BASE SHALL BE INCLUDED IN THE UNIT PRICE BID FOR ITEM 604 CATCH BASIN NO. 3 OR NO. 3A, AS PER PLAN

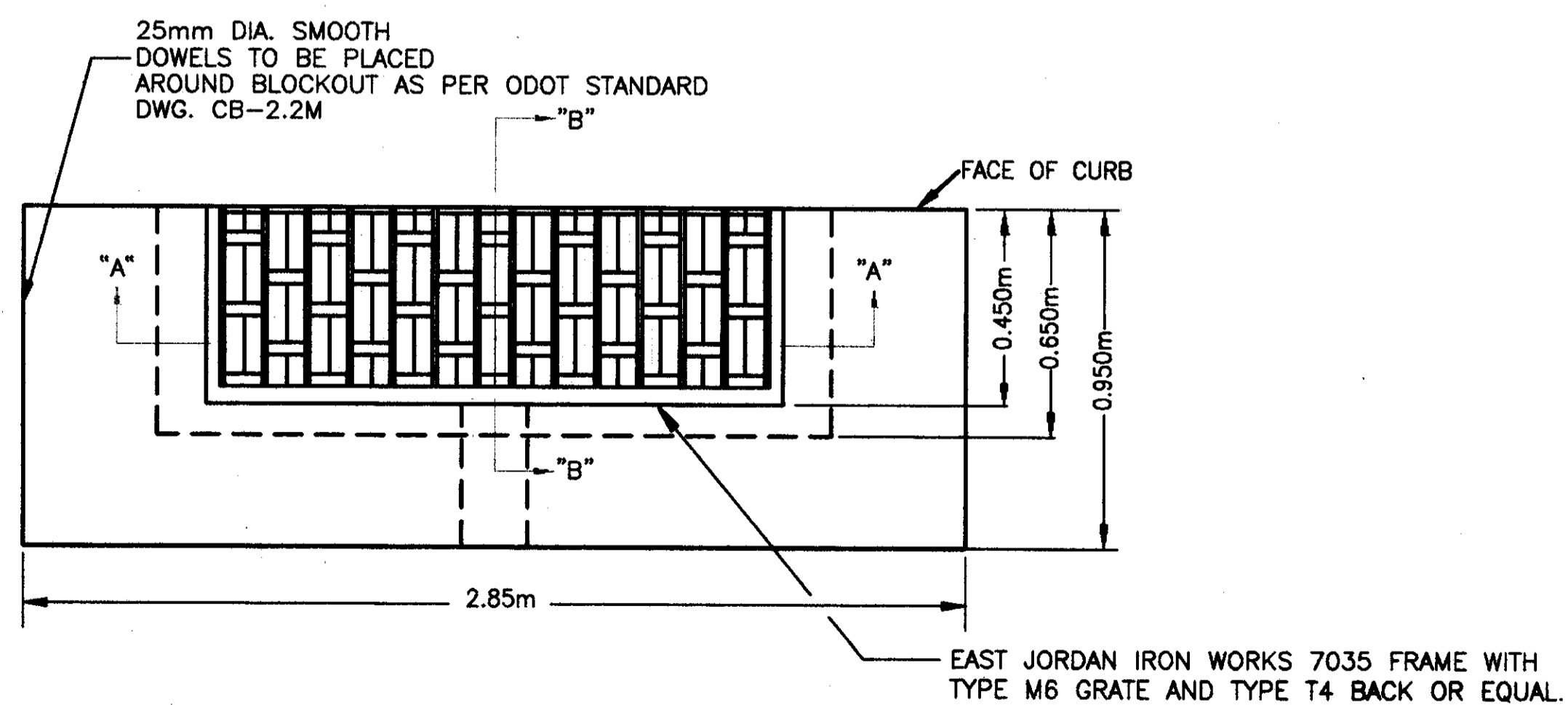


SECTION A - A

1. ALL WORK SHALL CONFORM TO ODOT ITEM 604.
2. ALL BRICK USED SHALL BE CLAY OR SHALE BRICK CONFORMING TO ODOT ITEM 704.01 (ASTM C32) UNLESS APPROVED IN WRITING BY THE ENGINEER.
3. IF PRECAST UNITS ARE USED, THE CONTRACTOR SHALL PROVIDE SHOP DRAWINGS TO THE ENGINEER FOR APPROVAL. PRECAST UNITS SHALL CONFORM TO ODOT ITEM 706.13
4. ALL CONCRETE SHALL CONFORM TO ODOT ITEM 499, CLASS "C" (27.6 MPa) NO SLAG.
5. THE ENTIRE EXCAVATED AREA AROUND THE BASIN SHALL BE BACKFILLED WITH ODOT ITEM 304.02 MECHANICALLY COMPACTED IN 150mm LIFTS.
6. PRECAST UNITS SHALL BE SET ON A 150mm STONE BASE.



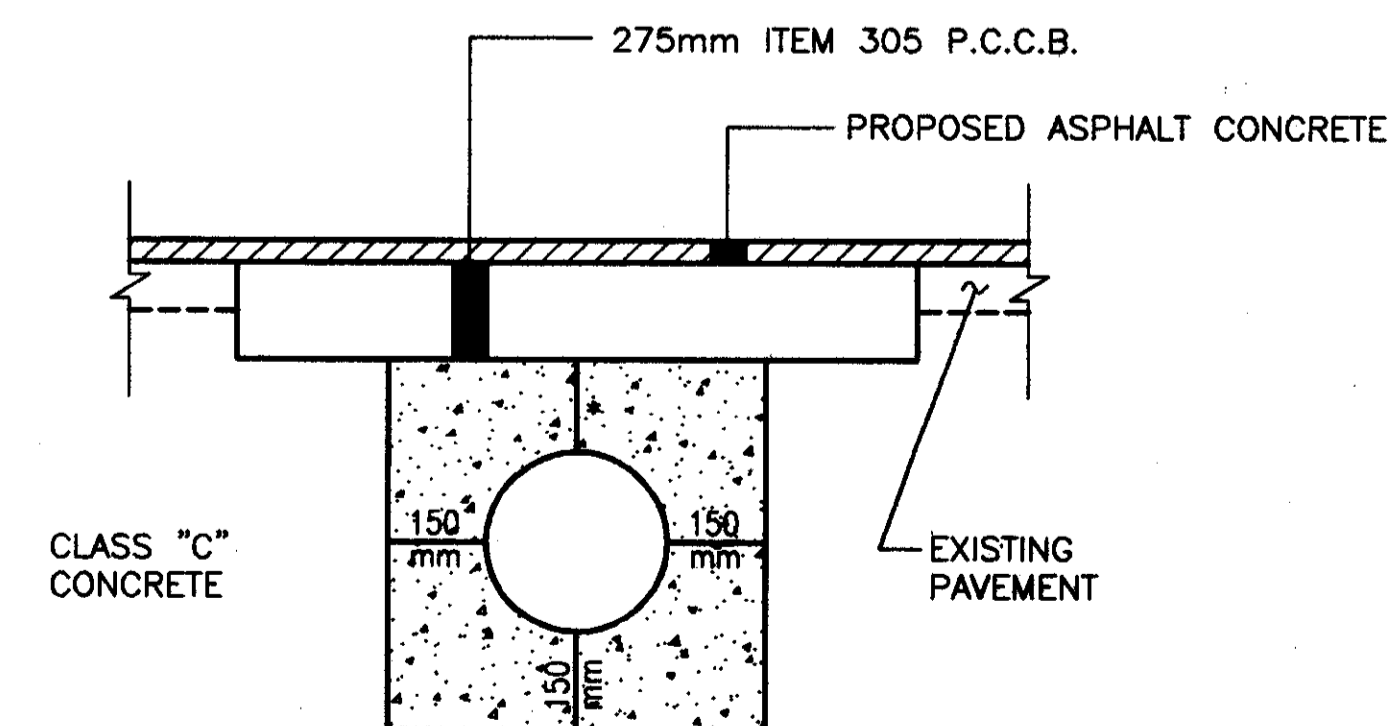
CATCH BASIN NO. 3A, AS PER PLAN



CATCH BASIN NO. 3, AS PER PLAN
N.T.S.

WALL CURB INLET BASIN & BOX-OUT DETAIL

NO SCALE



CONCRETE ENCASEMENT DETAIL

NO SCALE

*VARIABLE DEPTH CONCRETE ENCASEMENT