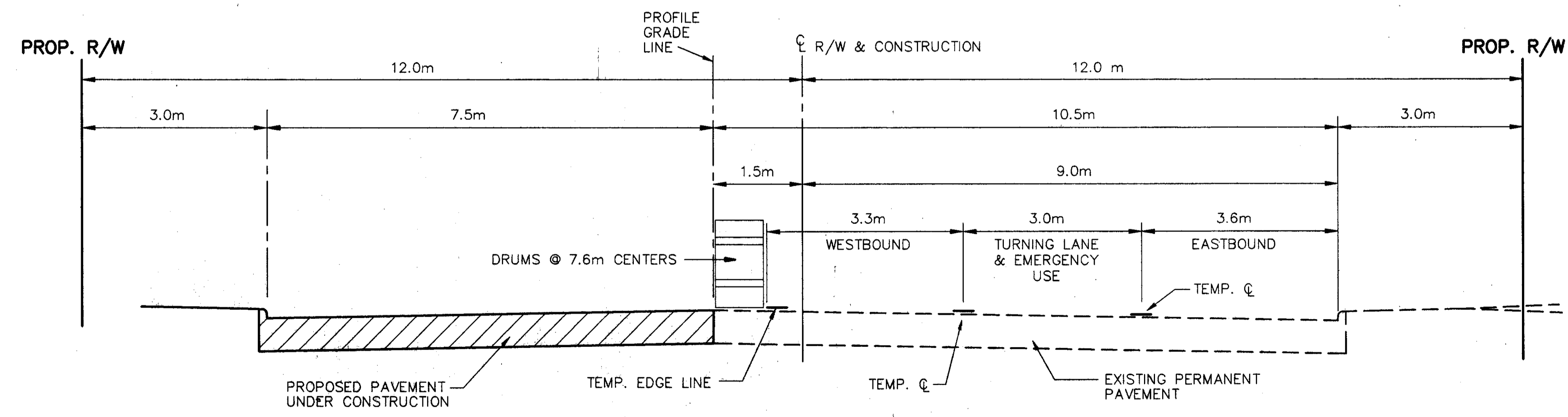
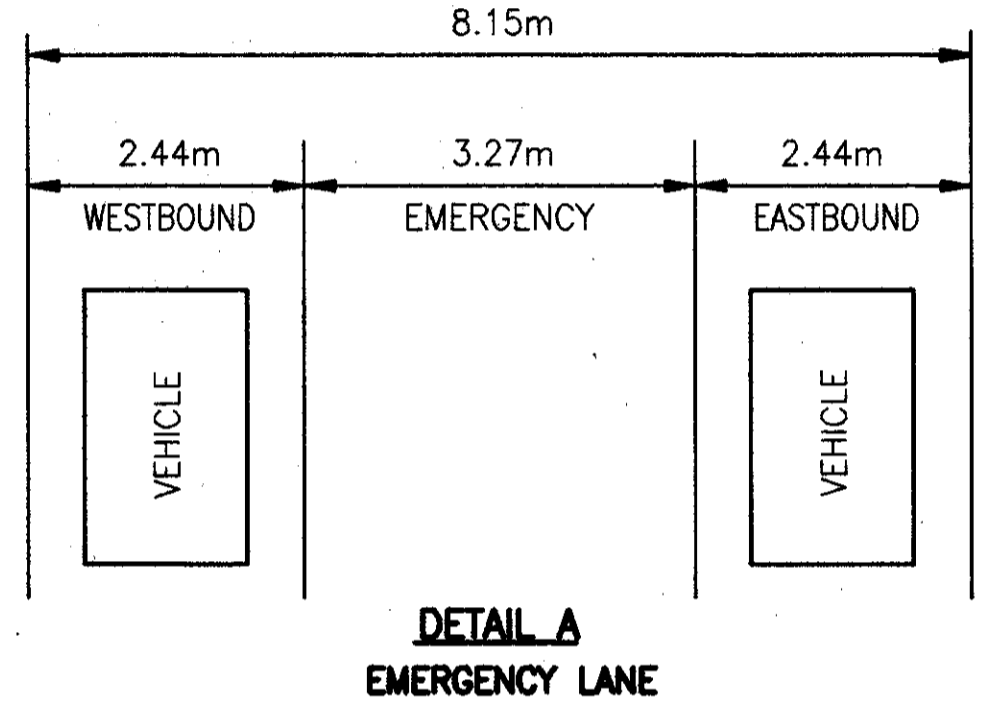
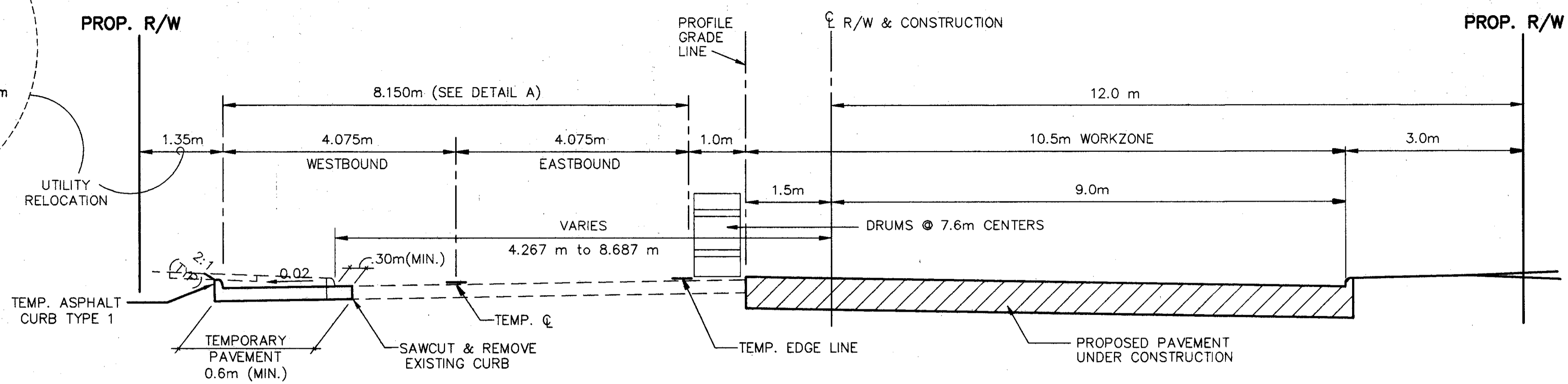
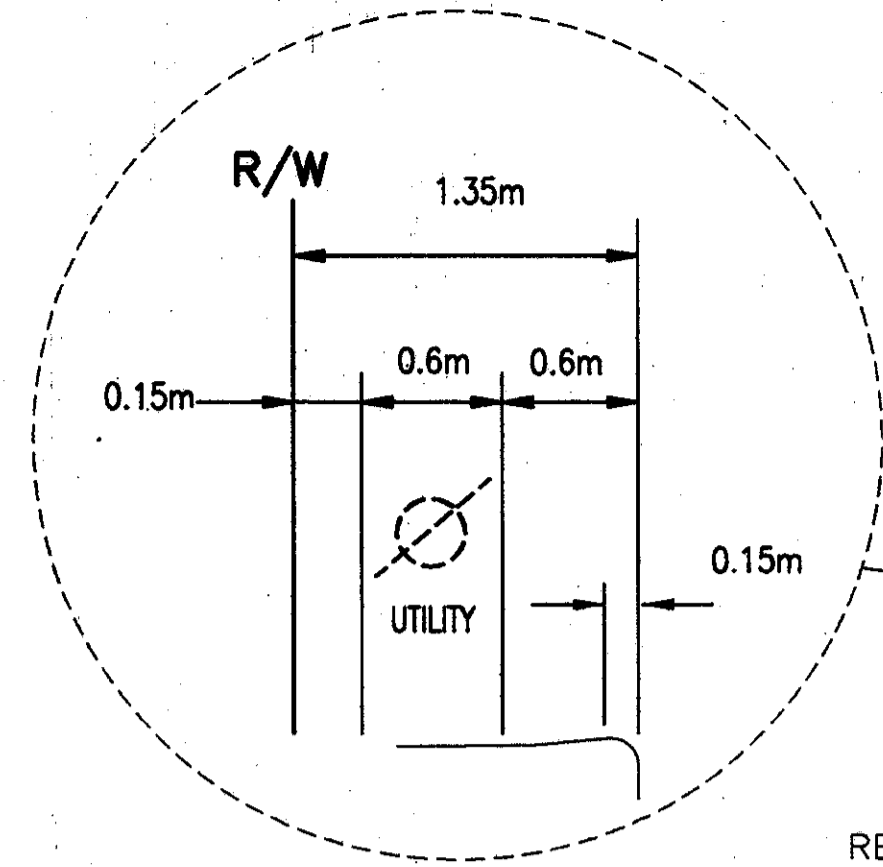


MAINTENANCE OF TRAFFIC



MAINTENANCE OF TRAFFIC - TYPICAL SECTIONS - S.R. 640

LAK-640-2865 (1.78)

H:\1998\98208\DWG\MOT_TRAF\MOT_TYP.DWG