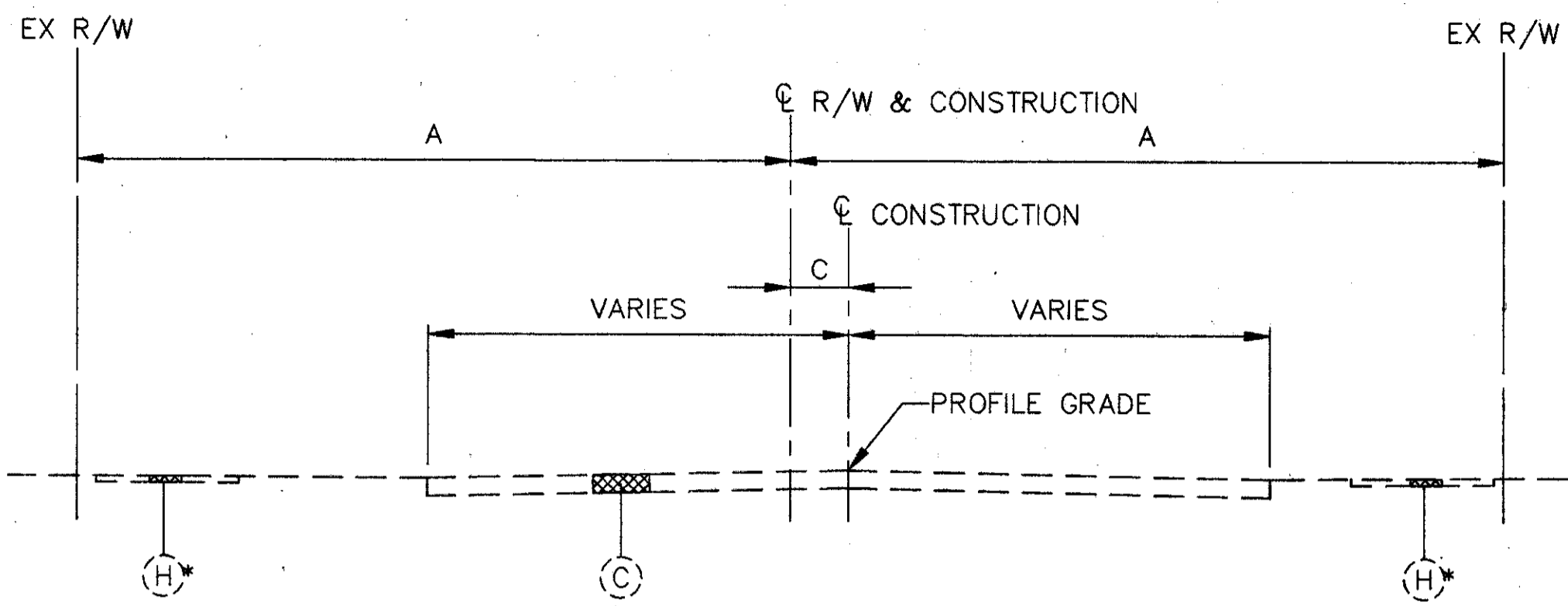
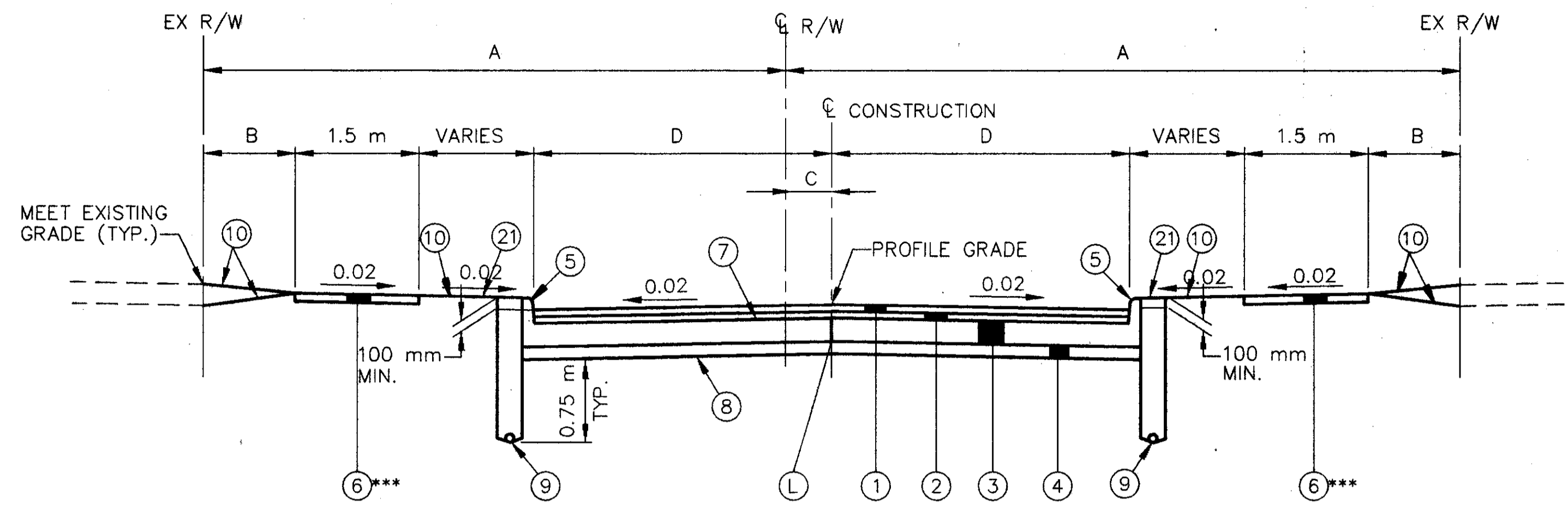


NOTE: PROPOSED CURB REVEAL SHALL BE 150mm.



**EXISTING TYPICAL SECTION**

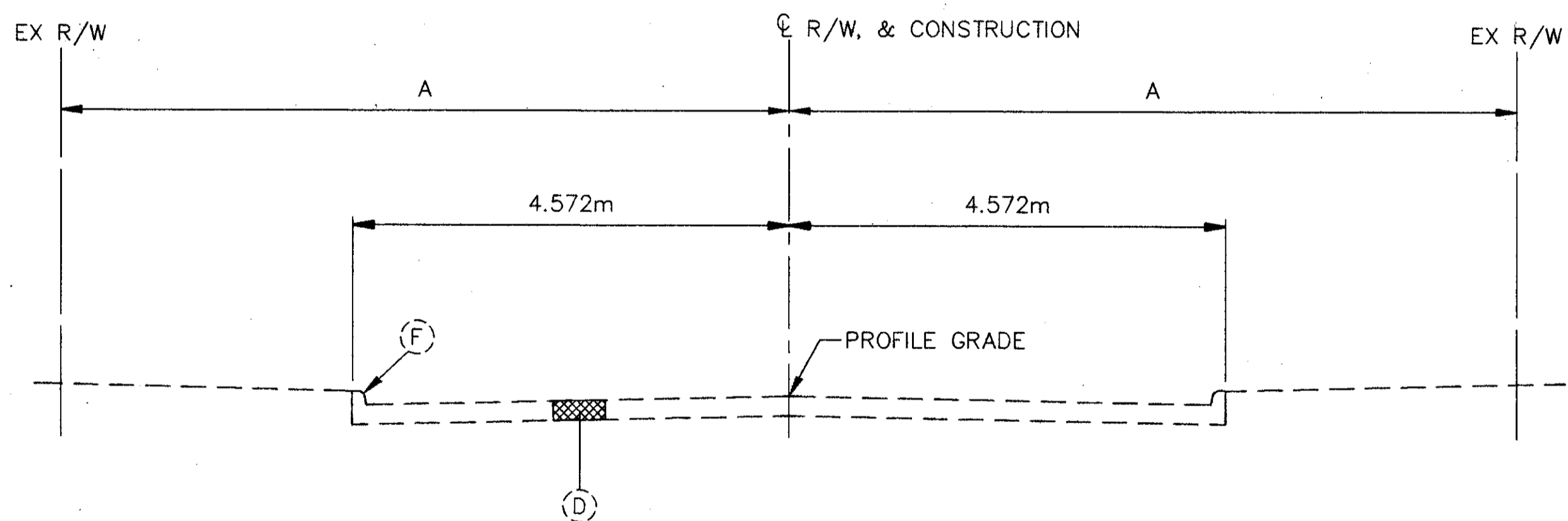
\* 354th ST., AND E. 355th ST., E. 357th ST.(NORTH), E. 359th ST.(NORTH),  
\* 359th ST., (SOUTH), E. 360th ST., E. 362nd ST. E. 363rd ST., E. 364th ST.



**NORMAL TYPICAL SECTION**

ALL SIDE ROADS

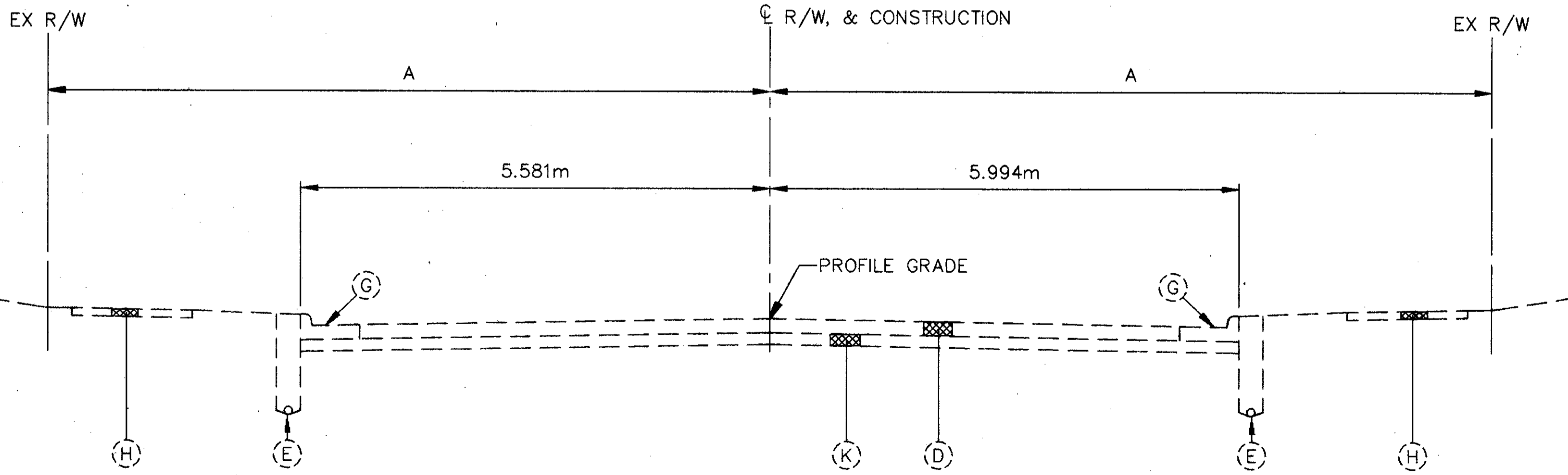
\*\*\* ITEM 608 - 100 mm CONCRETE WALK  
E. 354th ST., E. 355th ST., E. 357th ST. (NORTH & SOUTH),  
E. 359th ST. (NORTH & SOUTH), E. 360th ST. E. 361st ST., E. 362nd ST.  
(LEFT SIDE ONLY), E. 363rd ST. (LEFT SIDE ONLY), and E. 364th ST.



**EXISTING TYPICAL SECTION**

EAST 357th STREET (SOUTH OF S.R. 640)

| SIDE ROAD                           | STATION TO STATION   | LENGTH<br>meters | A      |                              | C         |        | D                      |        |
|-------------------------------------|----------------------|------------------|--------|------------------------------|-----------|--------|------------------------|--------|
|                                     |                      |                  | meters | meters                       | meters    | meters | meters                 | meters |
| E. 354th ST.                        | 1+009.00 TO 1+030.00 | 21.00            | 9.144  | 0.337m (LT.)<br>0.108m (RT.) | 0.656 LT. |        | 3.6m                   |        |
| E. 355th ST.                        | 0+970.00 TO 0+991.00 | 21.00            | 7.62   | 0.15m                        | 0.4m LT.  |        | 3.6m                   |        |
| E. 357th ST.<br>(NORTH OF S.R. 640) | 1+009.00 TO 1+030.00 | 21.00            | 9.144  | 0.6m                         | 0.0       |        | 3.6m                   |        |
| E. 357th ST.<br>(SOUTH OF S.R. 640) | 0+970.00 TO 0+991.00 | 21.00            | 7.620  | 0.6m                         | 0.0       |        | 4.572                  |        |
| E. 359th ST.<br>(NORTH OF S.R. 640) | 1+009.00 TO 1+050.00 | 41.00            | 7.620  | 0.6m                         | 0.0       |        | 3.6m                   |        |
| E. 359th ST.<br>(SOUTH OF S.R. 640) | 0+960.00 TO 0+991.00 | 31.00            | 7.620  | 0.6m                         | 0.508 RT. |        | 3.6m                   |        |
| E. 360th ST.                        | 1+009.00 TO 1+050.00 | 41.00            | 6.096  | 0.252m (LT.)<br>1.14m (RT.)  | 0.444 LT. |        | 3.6m                   |        |
| E. 361st ST.                        | 0+970.00 TO 0+991.00 | 21.00            | 9.144  | 0.538m (LT.)<br>0.119m (RT.) | 0.0       |        | 5.581 LT.<br>5.994 RT. |        |
| E. 362nd ST.                        | 1+009.00 TO 1+050.00 | 41.00            | 6.096  | 0.6m (LT.)                   | 1.039 RT. |        | 3.6m                   |        |
| E. 363rd ST.                        | 0+970.00 TO 0+991.00 | 21.00            | 6.096  | 0.6m (LT.)                   | 1.061 RT. |        | 3.6m                   |        |
| E. 364th ST.                        | 1+009.00 TO 1+040.00 | 31.00            | 7.620  | 0.289m (LT.)<br>0.0m (RT.)   | 0.0       |        | 3.6m                   |        |



**EXISTING TYPICAL SECTION**

EAST 361st STREET

FOR EXISTING LEGEND SEE SHEET 3.  
FOR LEGEND SEE SHEET 4.

TYPICAL SECTIONS - SIDE ROADS

LAK - 640 - 2.865 (1.78)

H:\1998\98208\CAD\14199G.DWG