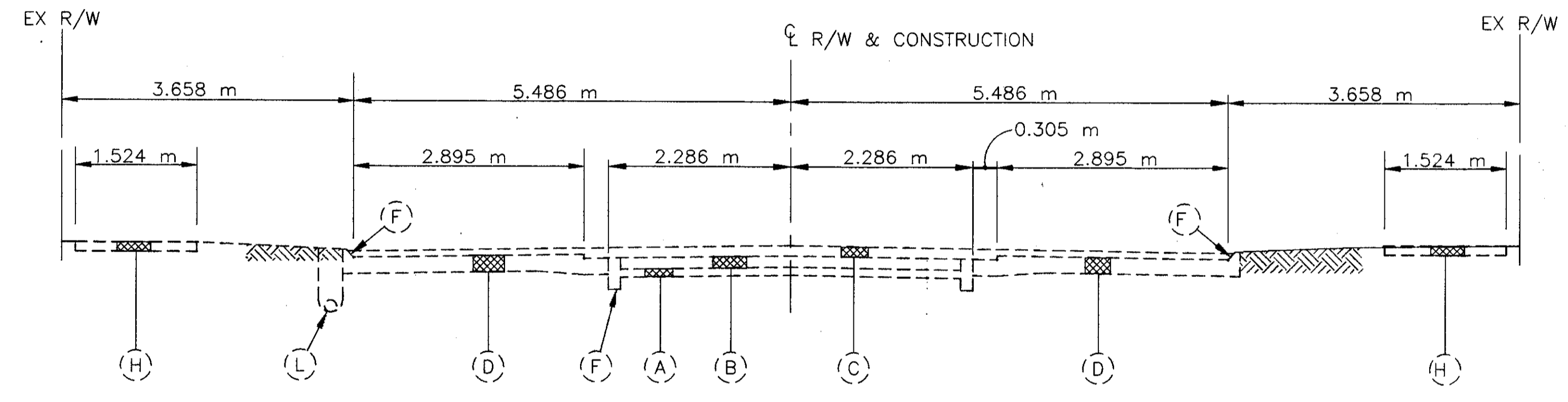
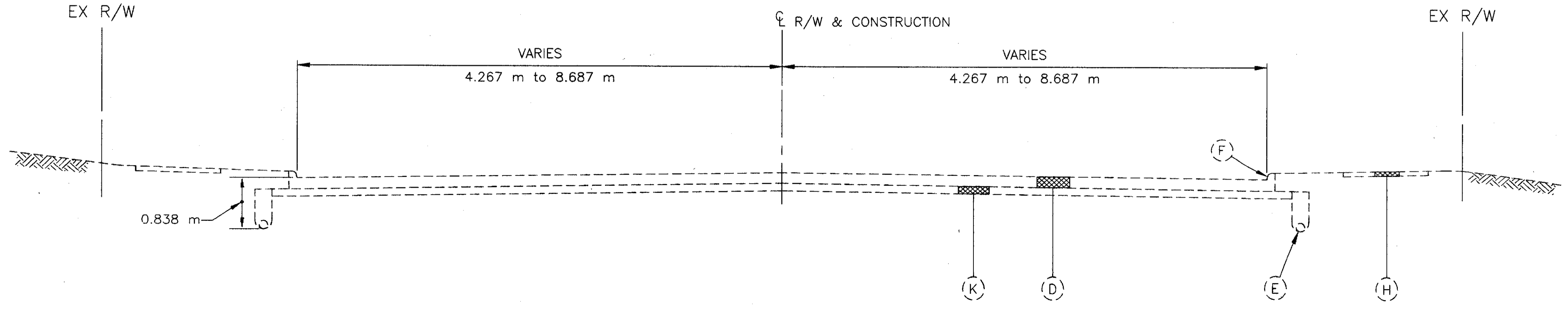


EXISTING SECTION - S.R. 640
STA. 2+823.605 to STA. 2+948.00



EXISTING SECTION - S.R. 640
STA. 2+948.00 to STA. 3+459.48



EXISTING SECTION - S.R. 640
STA. 3+459.48 to STA. 3+540

EXISTING LEGEND

- (A) EXISTING CONCRETE
- (B) EXISTING BRICK W/SAND CUSHION
- (C) EXISTING ASPHALT CONCRETE
- (D) EXISTING REINFORCED CONCRETE
- (E) EXISTING SHALLOW PIPE UNDERDRAIN
- (F) EXISTING CONCRETE CURB
- (G) EXISTING CONCRETE CURB AND GUTTER
- (H) EXISTING CONCRETE SIDEWALK
- (I) EXISTING RUBBERIZED SAND-ASPHALT
- (J) EXISTING BITUMINOUS AGGREGATE BASE
- (K) EXISTING SUBBASE
- (L) EXISTING DRAIN TILE
- (M) EXISTING CONCRETE MEDIAN
- (N) EXISTING AGGREGATE BASE

H:\1998\98208\DWG\14199GYB.DWG