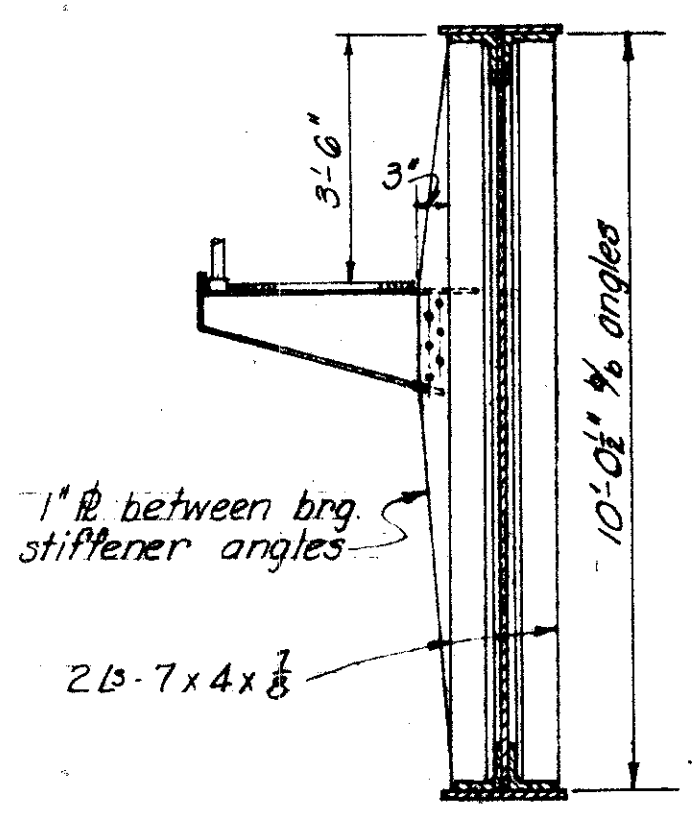
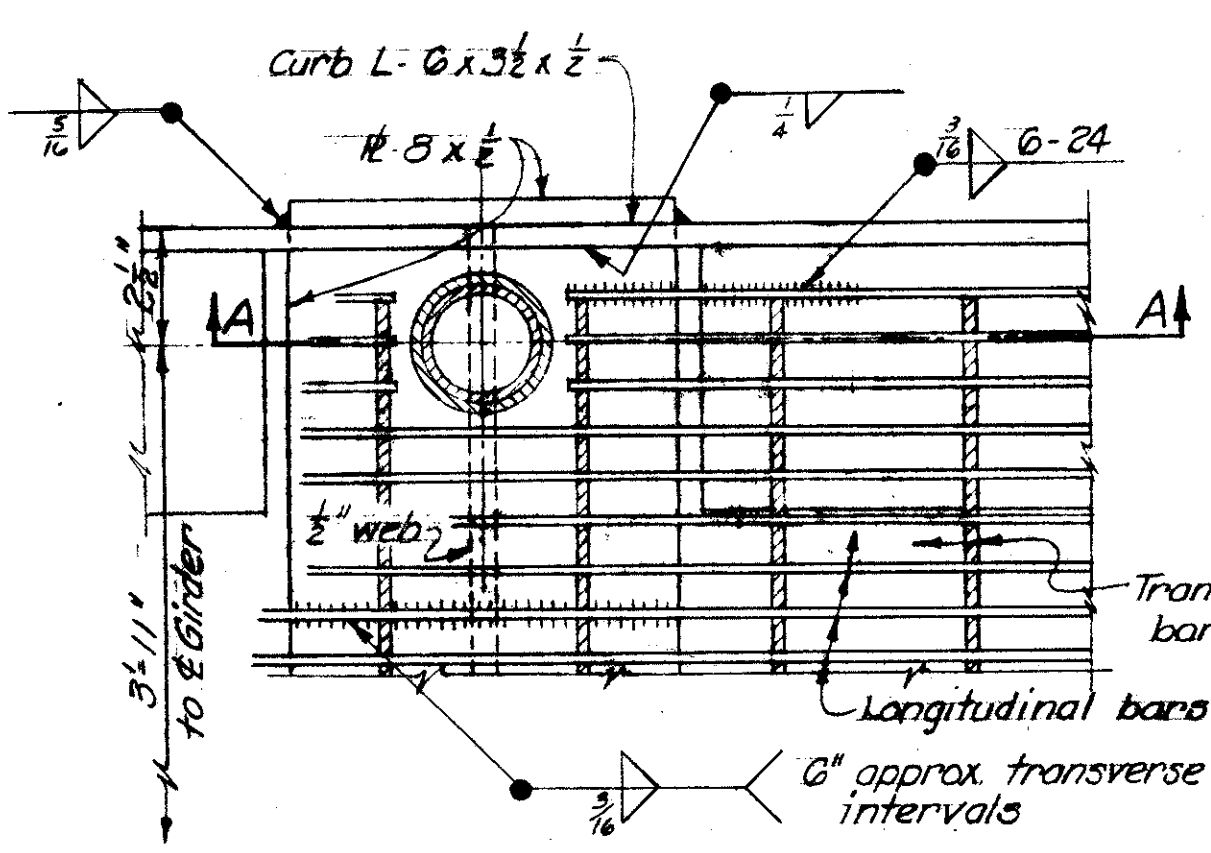


PART PLAN SHOWING SIDEWALK
(North side of bridge only)

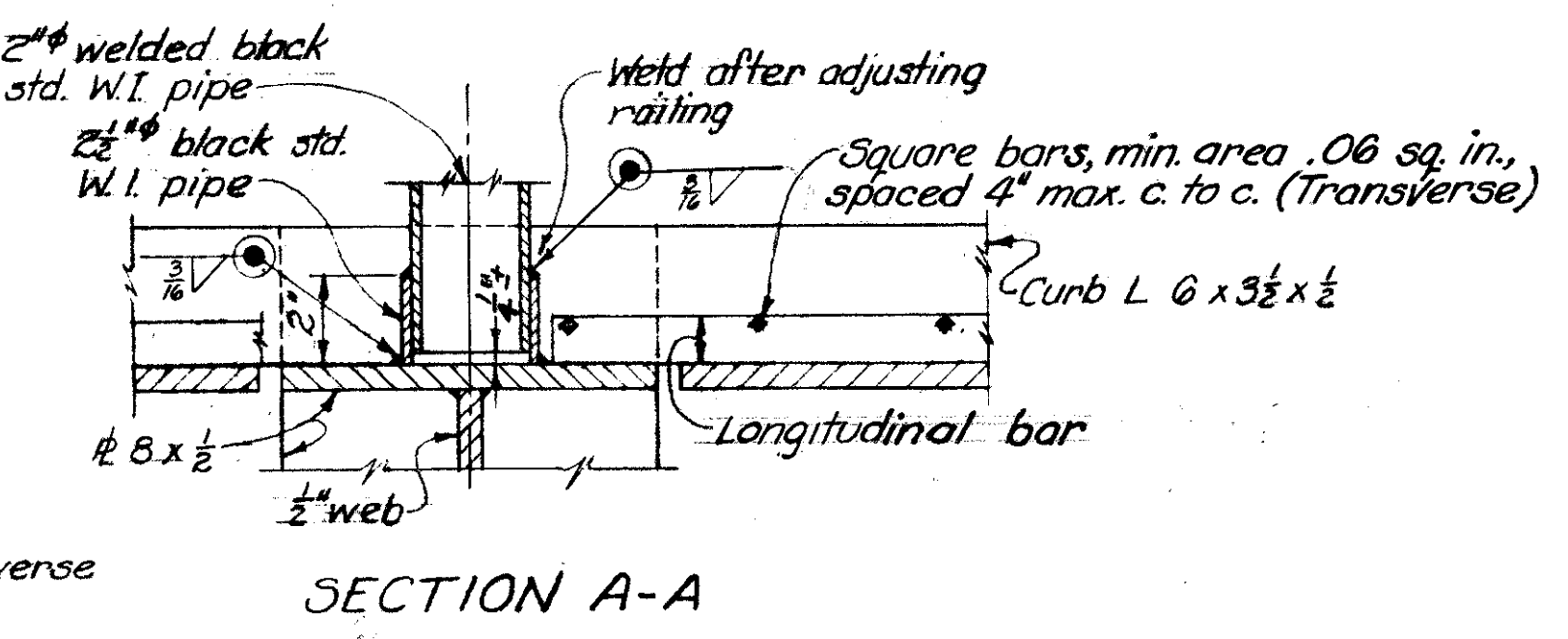


DETAIL "A"

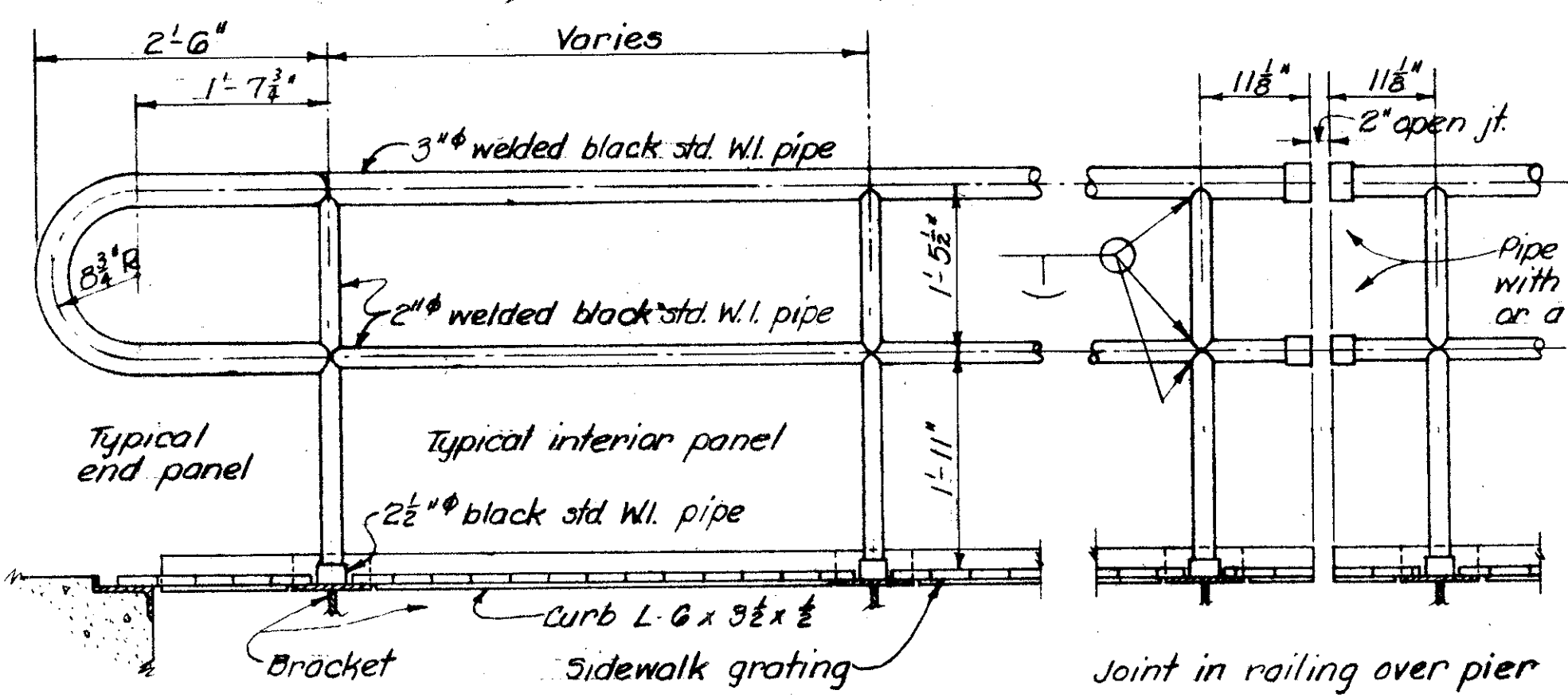
NOTE: For additional bracket and railing details see Sheet No. 95.



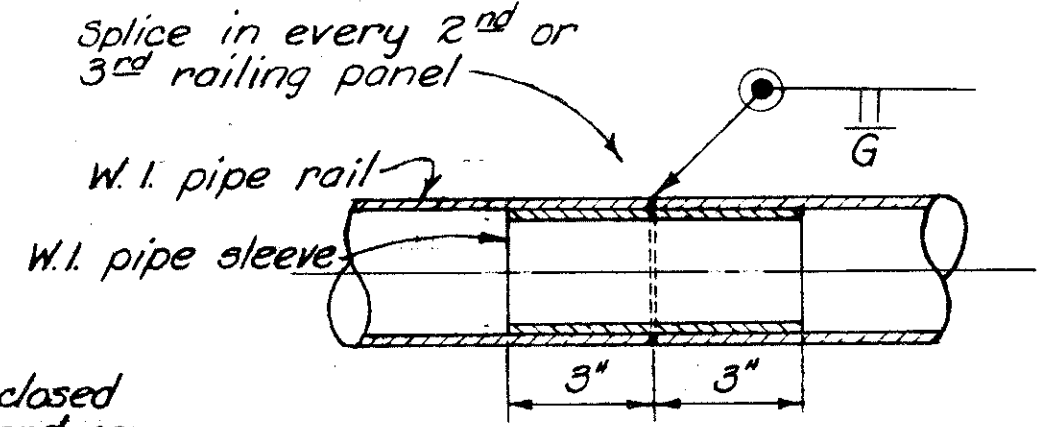
DETAIL "B"
Part Plan showing Sidewalk Grating



SECTION A-A



RAILING DETAIL



PIPE RAILING SPLICE DETAIL

STATE OF OHIO DEPARTMENT OF HIGHWAYS DIVISION OF DESIGN AND CONSTRUCTION BUREAU OF BRIDGES					
SIDEWALK & RAILING DETAILS					
BRIDGE NO. LAK-640-0286 N.Y.C. & ST. L.R.R. OVER SR 640 LAKE COUNTY Sta. 150 + 86.66					
DESIGNED NEY	DRAWN NEY	TRACED	CHECKED WCK	REVIEWED BFG	DATE 8-3-59