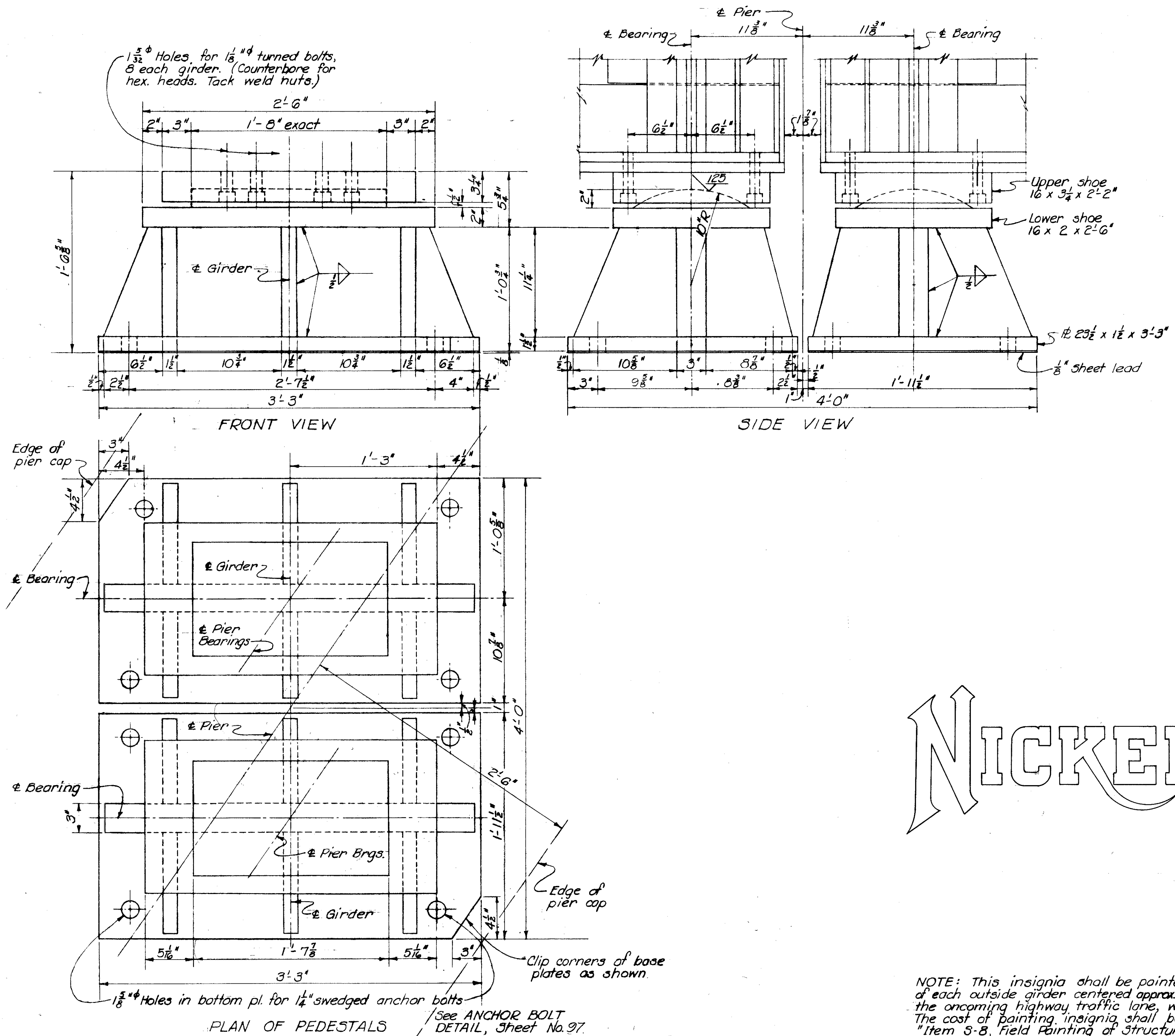


LAK-640-256



PLAN OF PEDESTALS  
DETAILS OF GIRDER BEARINGS ON PIERS (FIXED)

# NICKEL PLATE ROAD

NOTE: This insignia shall be painted on the web of each outside girder centered approx. over the middle of the oncoming highway traffic lane, with blue paint. The cost of painting insignia shall be included with Item S-B, Field Painting of Structural Steel. Contractor to contact N.P.C. & St. L. RR for stencil.

STANDARD INSIGNIA

STATE OF OHIO DEPARTMENT OF HIGHWAYS DIVISION OF DESIGN AND CONSTRUCTION BUREAU OF BRIDGES						
DETAILS OF GIRDER BEARINGS ON PIERS AND STANDARD INSIGNIA						
BRIDGE NO. LAK-640-0286						
N.Y. C. & St. L. RR OVER SR 640						
LAKE COUNTY Sta. 150 + 86.66						
DESIGNED	DRAWN	TRACED	CHECKED	REVIEWED	DATE	REVISED
NEY	NEY		WCK	BFG	9.8.57	10-1-53