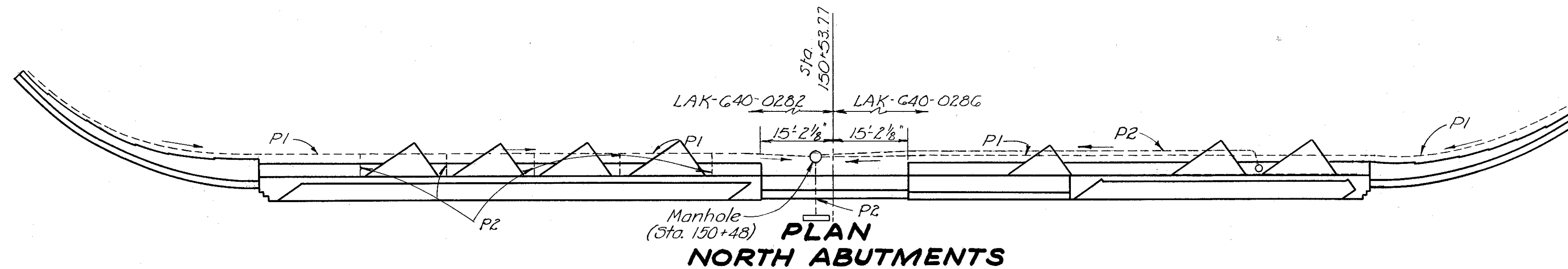
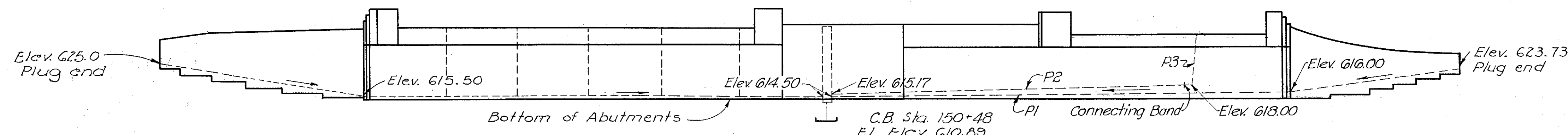


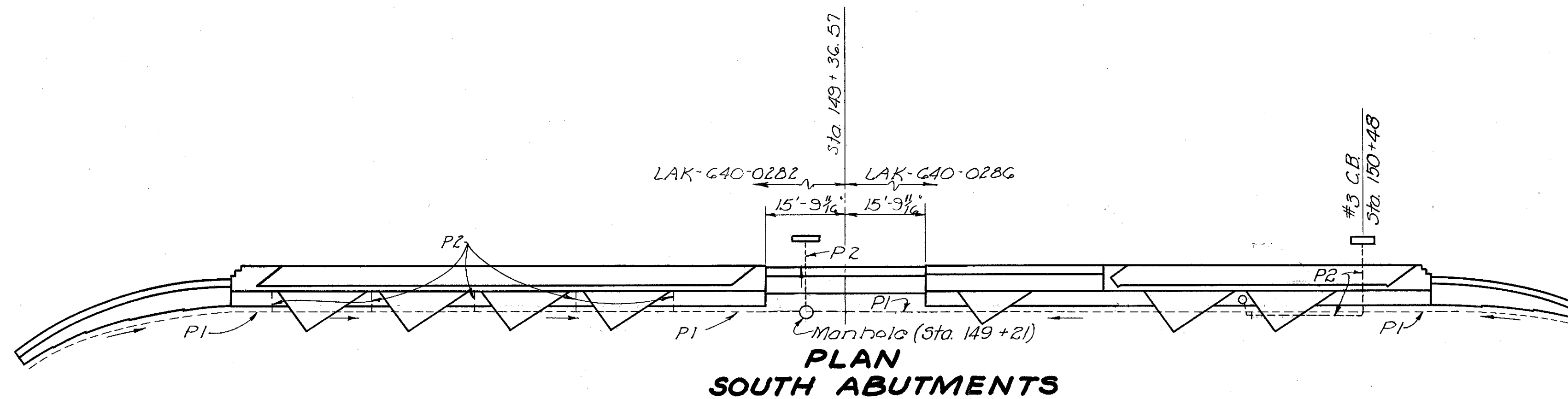
LAK-640-256



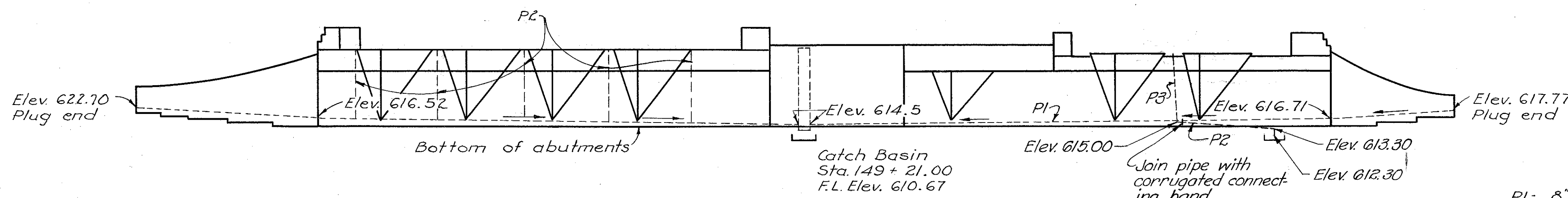
PLAN NORTH ABUTMENTS



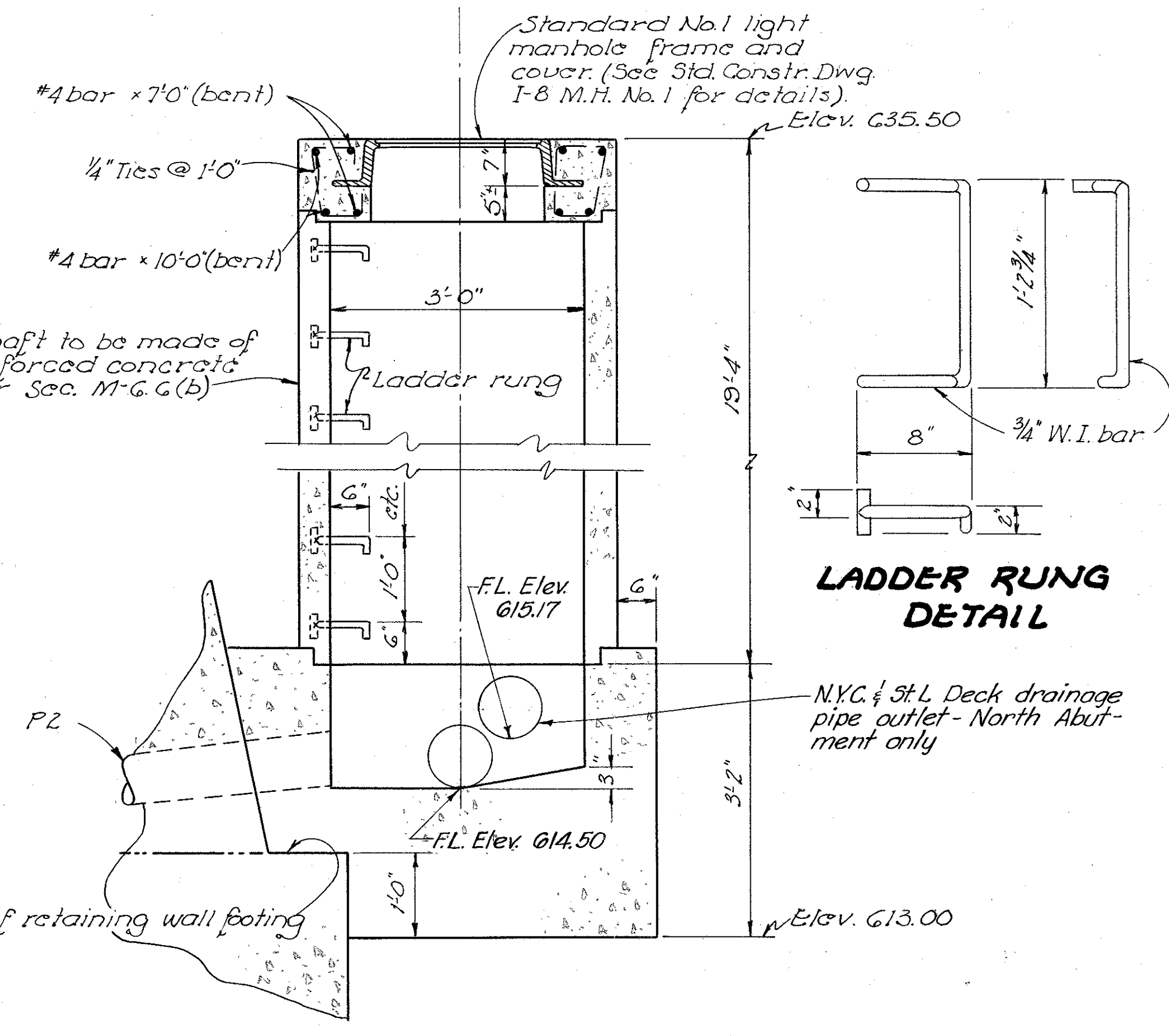
FRONT ELEVATION NORTH ABUTMENTS



PLAN SOUTH ABUTMENTS



REAR ELEVATION SOUTH ABUTMENTS



MANHOLE DETAILS

- P1- 3" ϕ perforated, bituminous coated, corrugated metal pipe.
 - P2- 8" ϕ bituminous coated, corrugated metal pipe
 - P3- 8" ϕ Cast Iron pipe (Class 50 minimum)
- ELEVATIONS are to invert of pipe.

BRIDGE NO. LAK-640-0286
Lump Sum price bid for Item 5-29, Drainage for structure, as per plan, shall include the following:

- Scuppers
- 6" W.I. pipe } including pointing
- 14" W.I. pipe }
- 8" C.I. pipe and specials
- 8" Bituminous coated corrugated metal pipe and specials
- Bracket for pipe support and pointing
- Oakum or Jute

ABUTMENT DRAINAGE DETAILS

STATE OF OHIO
DEPARTMENT OF HIGHWAYS
DIVISION OF DESIGN AND CONSTRUCTION
BUREAU OF BRIDGES

BRIDGE NOS.
LAK-640-0282
LAK-640-0286
N.Y.C., & ST.L. R.R. AND N.Y.C. R.R.
OVER S.R. 640
LAKE COUNTY

DESIGNED	DRAWN	TRACED	CHECKED	REVIEWED	DATE	REVISED
DM	DM	JGW	WCK	BFG	9.3.59	10-1-59