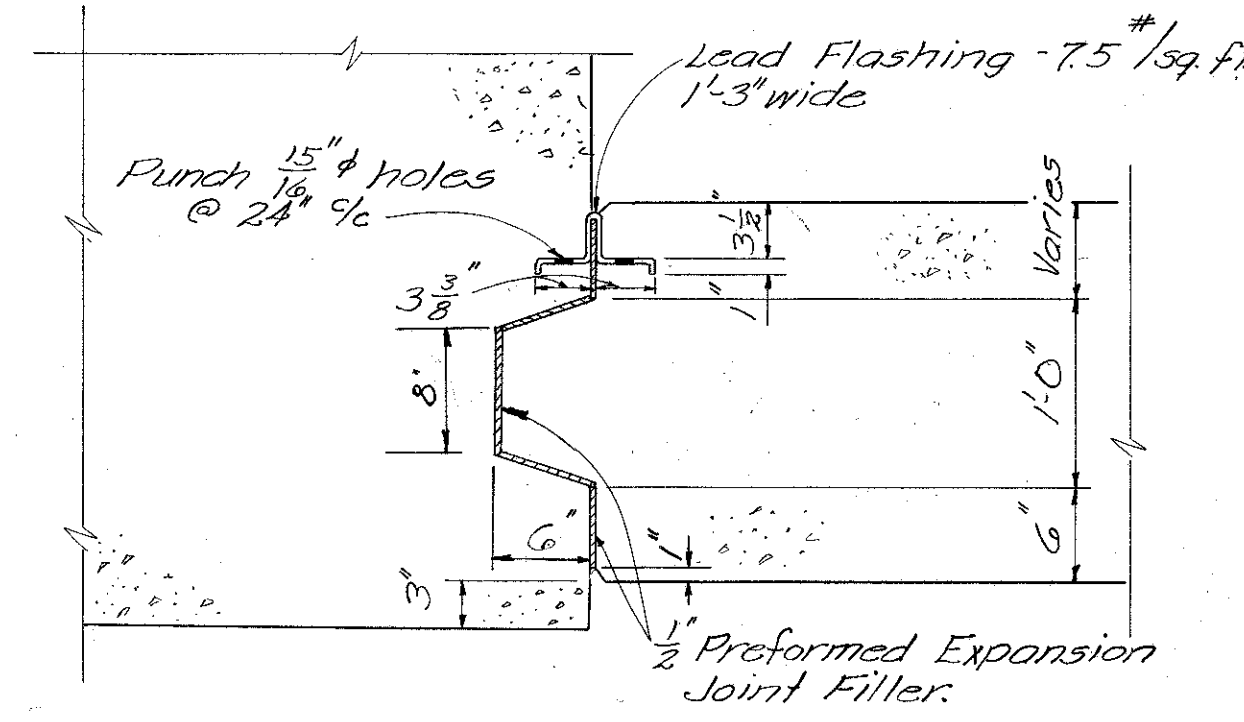
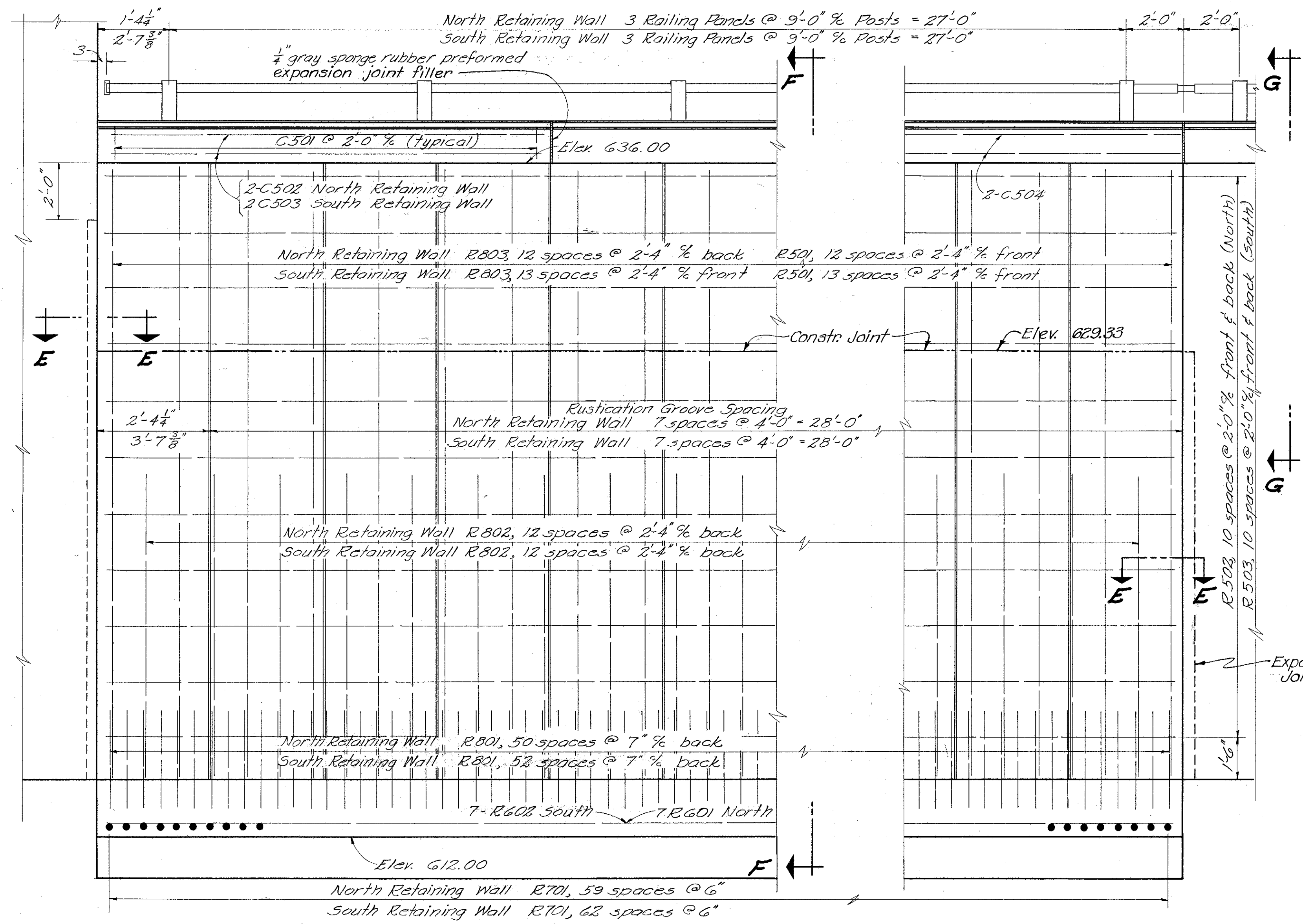
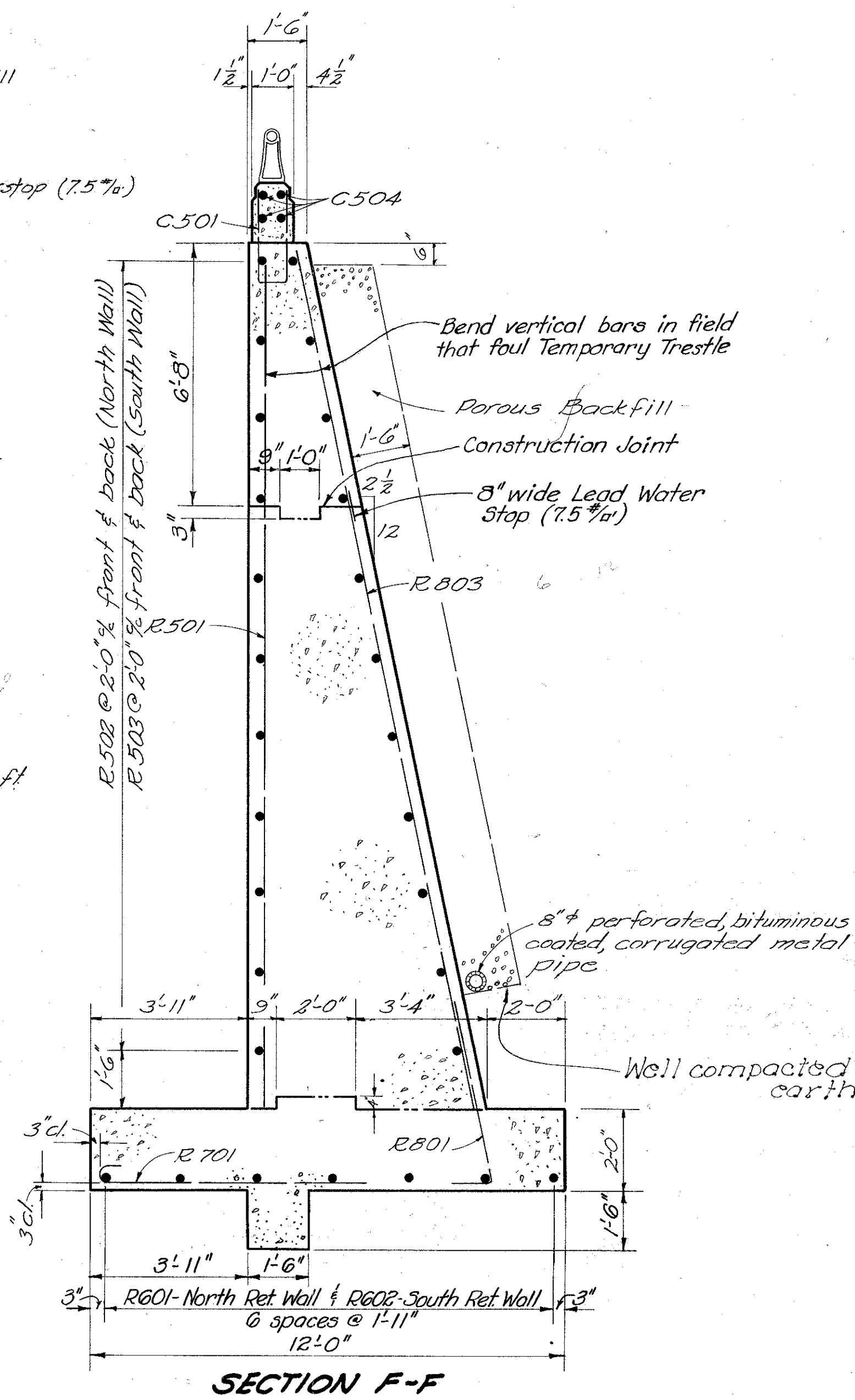
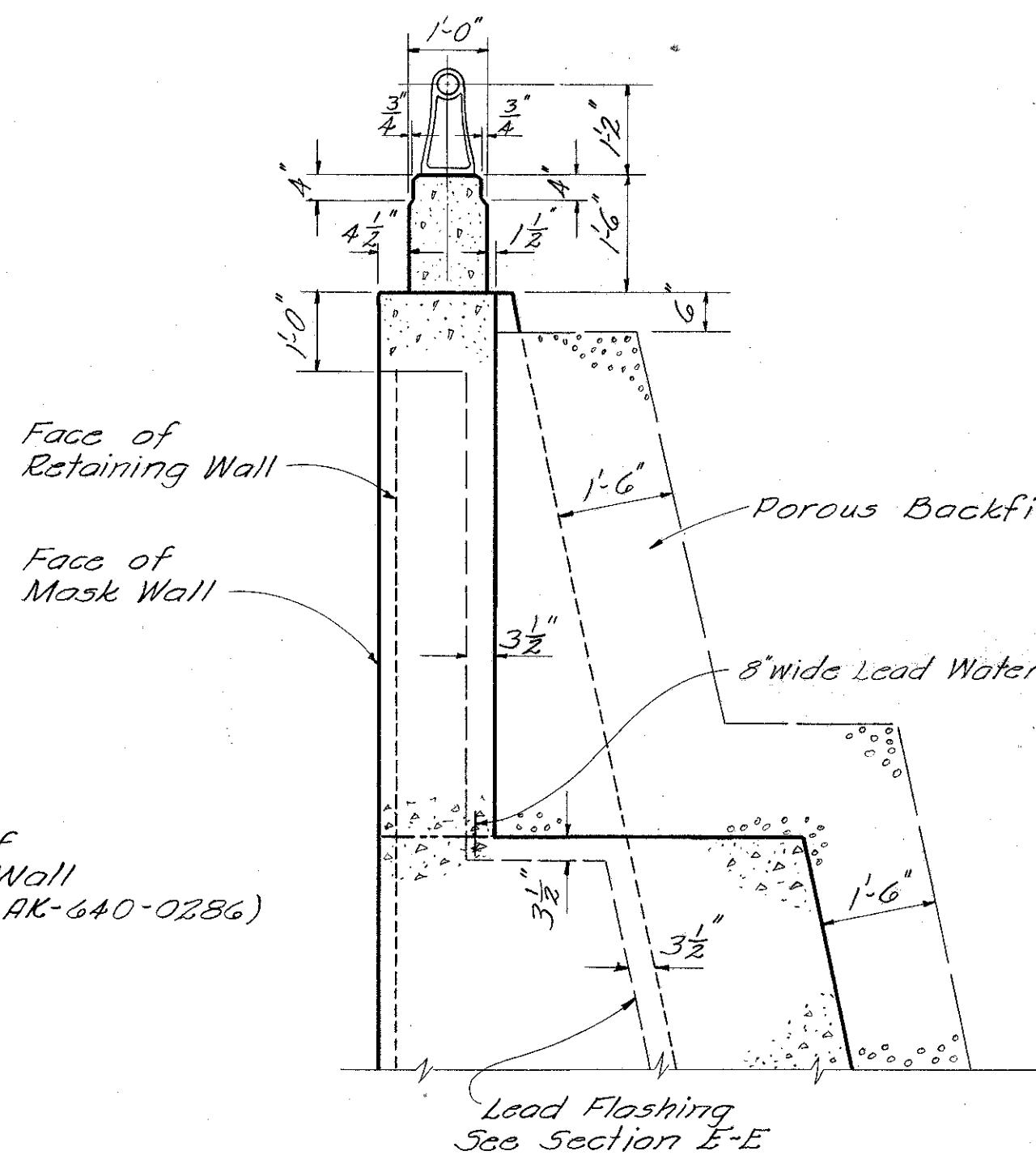
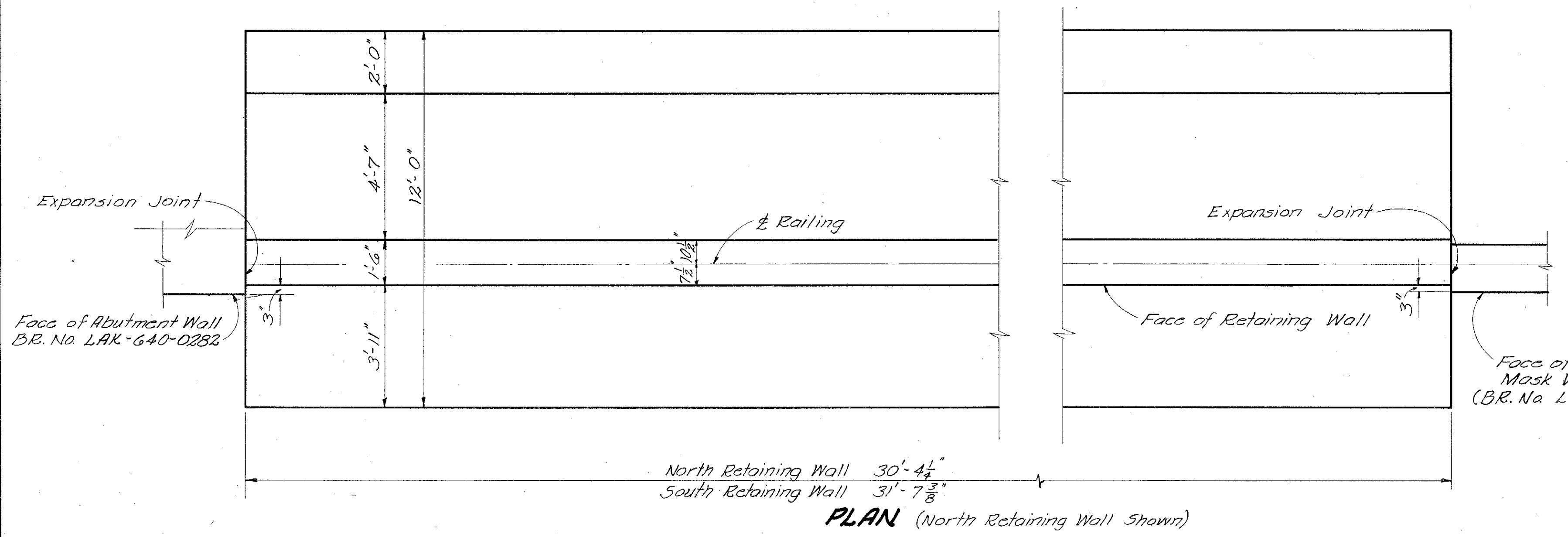


LAK-640-2.56



See Standard Drawing AR-1-57 (Type A posts) for additional railing details.

ESTIMATED QUANTITIES for Retaining Walls are listed one-half with Bridge No. LAK-640-0282 and one-half with Bridge No. LAK-640-0286.

KEY on bottom of footing shall be placed in a carefully made trench against undisturbed earth.

STATE OF OHIO DEPARTMENT OF HIGHWAYS DIVISION OF DESIGN AND CONSTRUCTION BUREAU OF BRIDGES						
<b>RETAINING WALL DETAILS</b>						
BRIDGE NO. LAK-640-0286 N.Y.C. & ST.L. R.R. over S.R. 640						
LAKE COUNTY						
DESIGNED	DRAWN	TRACED	CHECKED	REVIEWED	DATE	REVISED
DM	DM	Parker	WCK	BFG	9-8-59	10-1-59