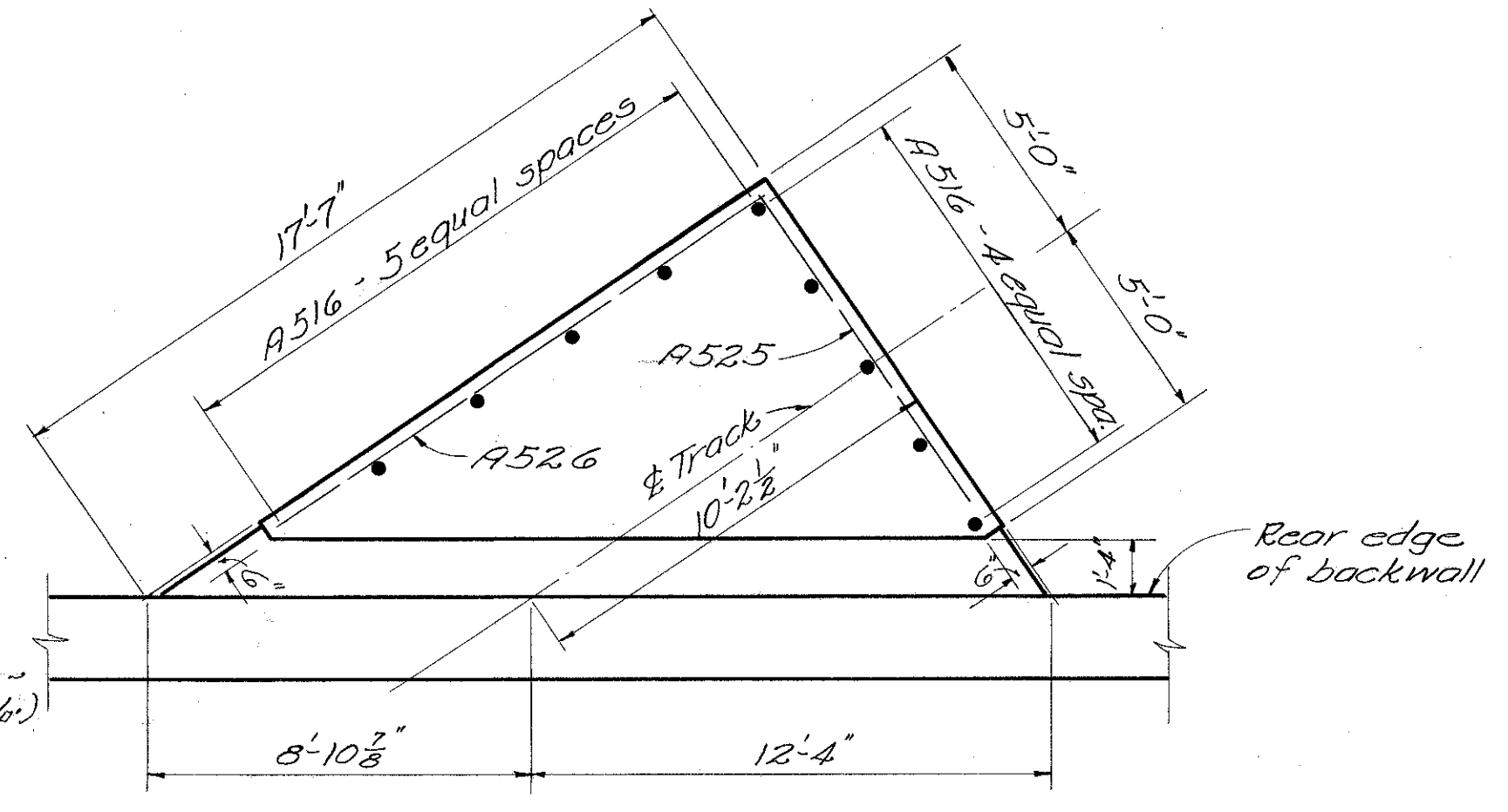
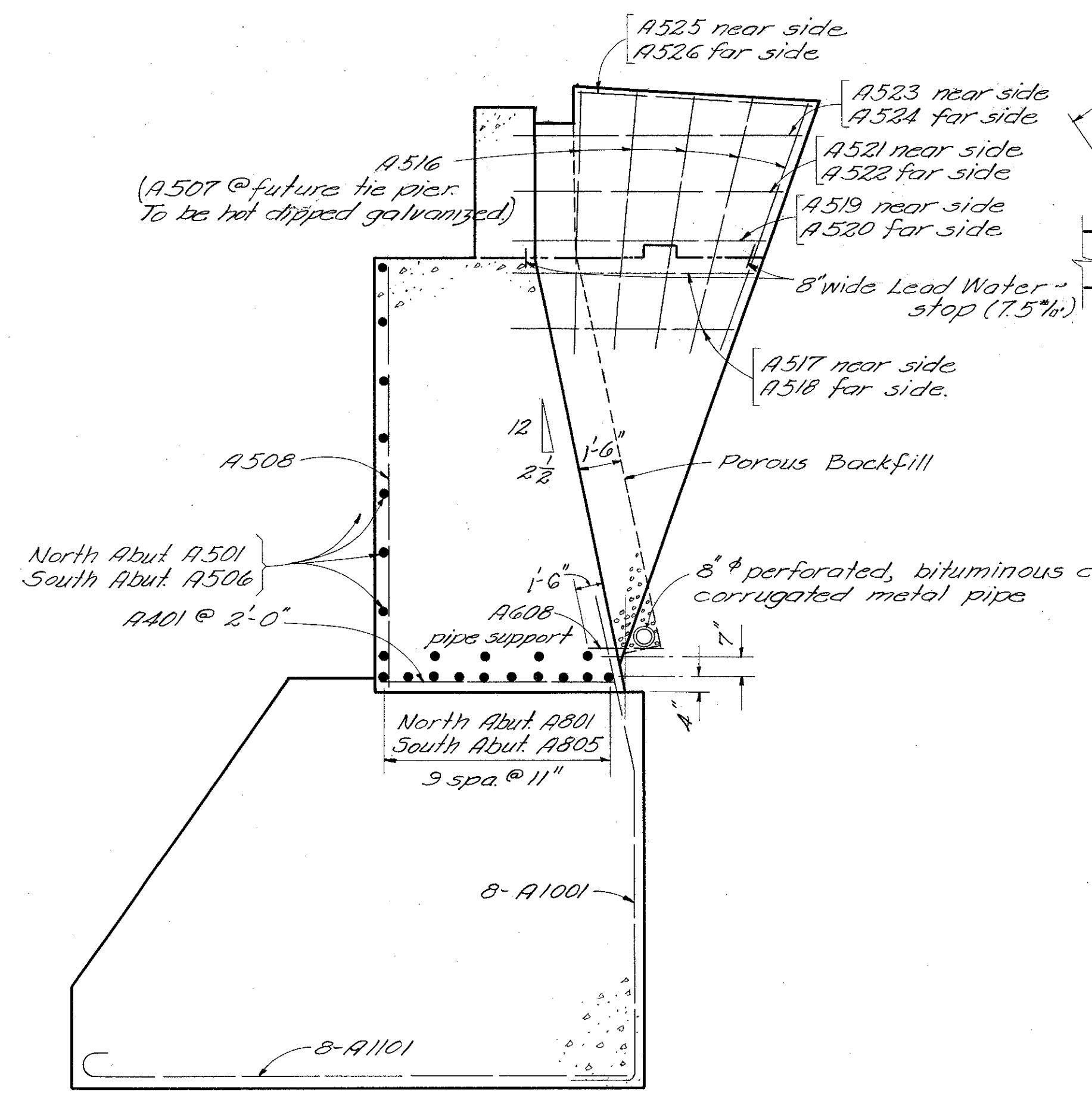
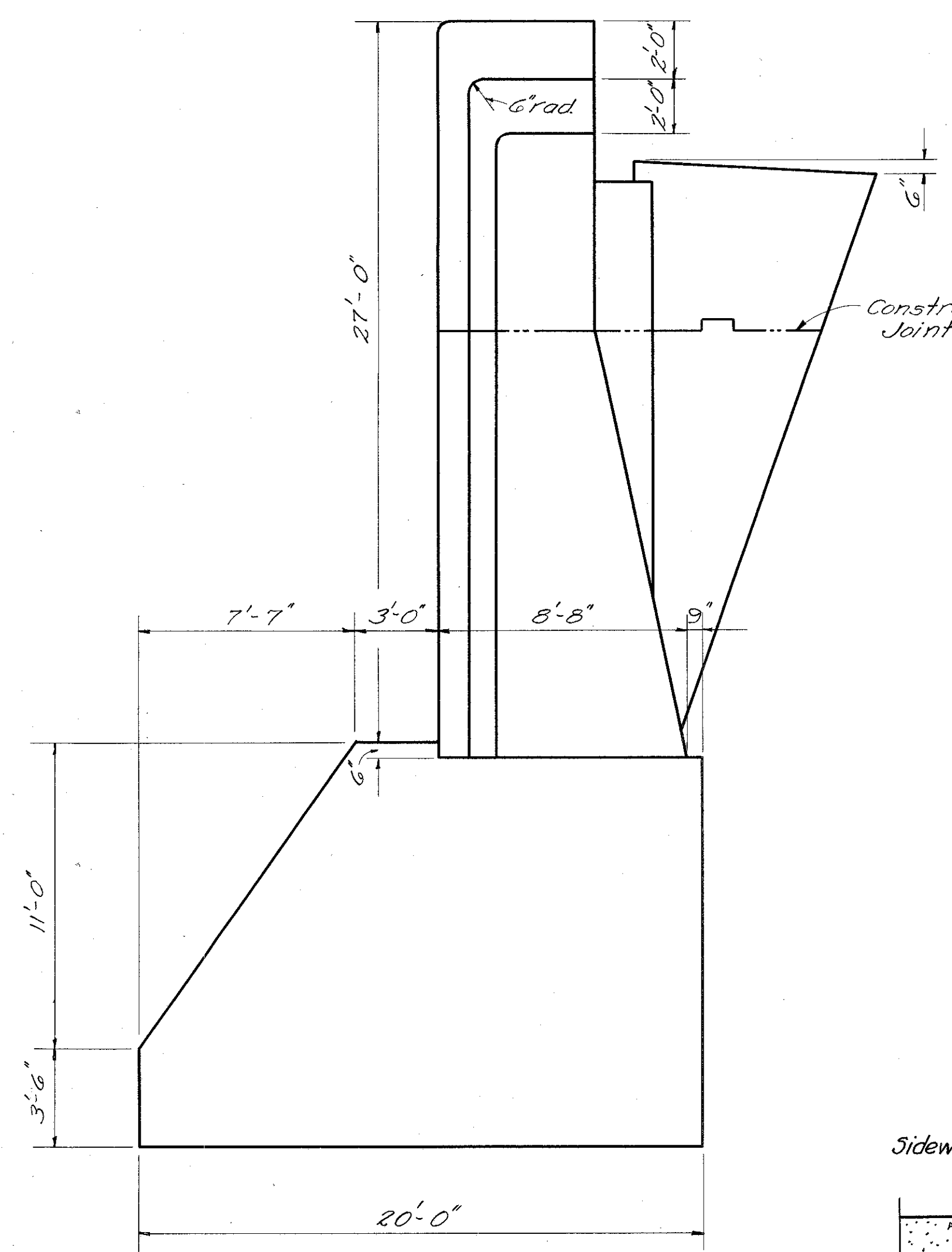
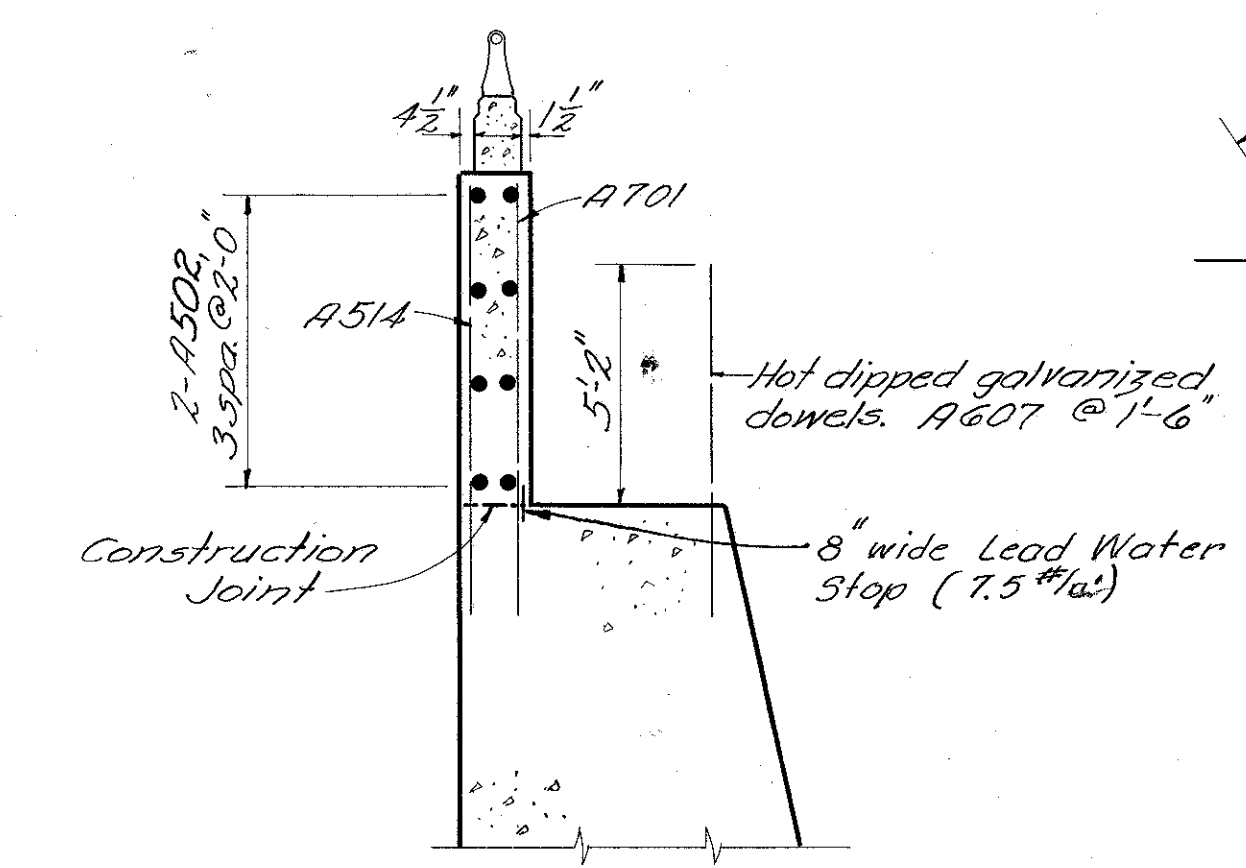


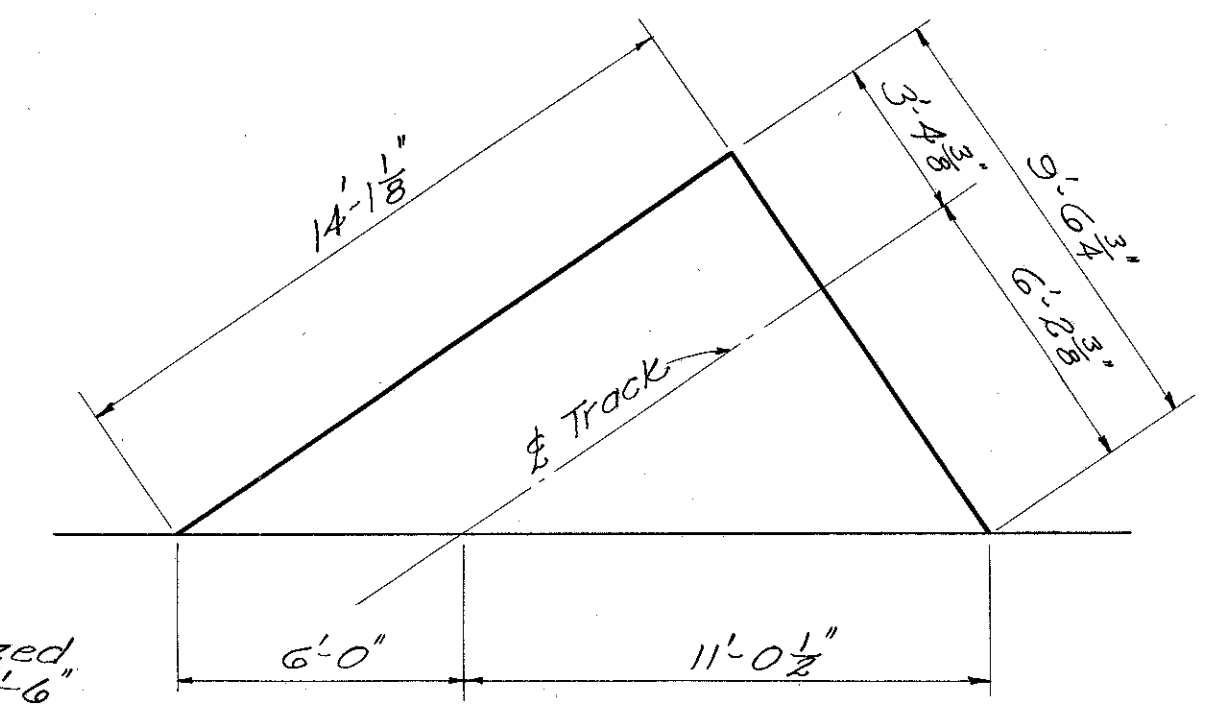
LAK-640-256



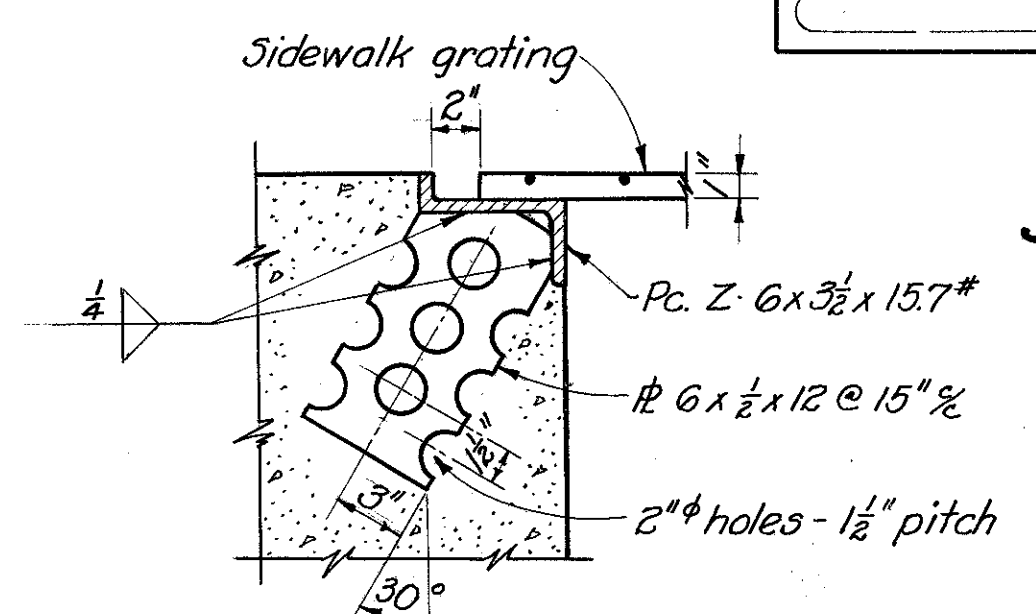
PLAN OF TIE PIER



SECTION D-D

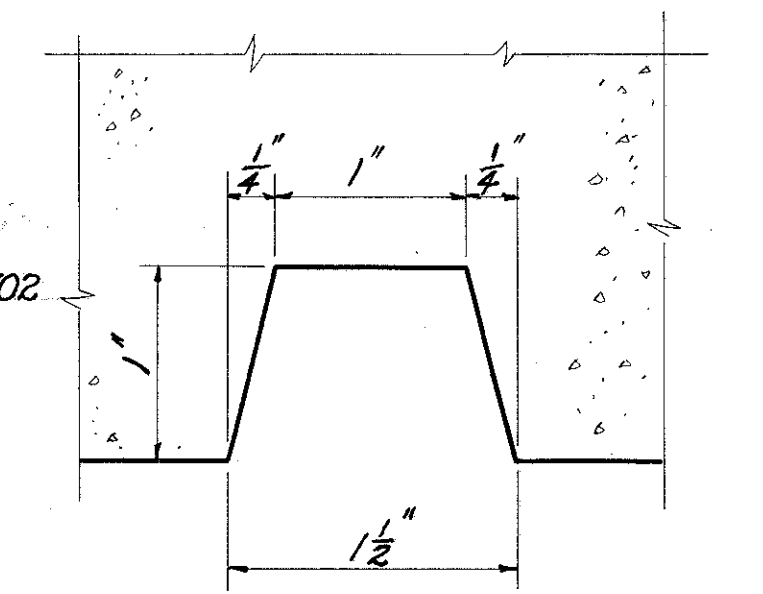
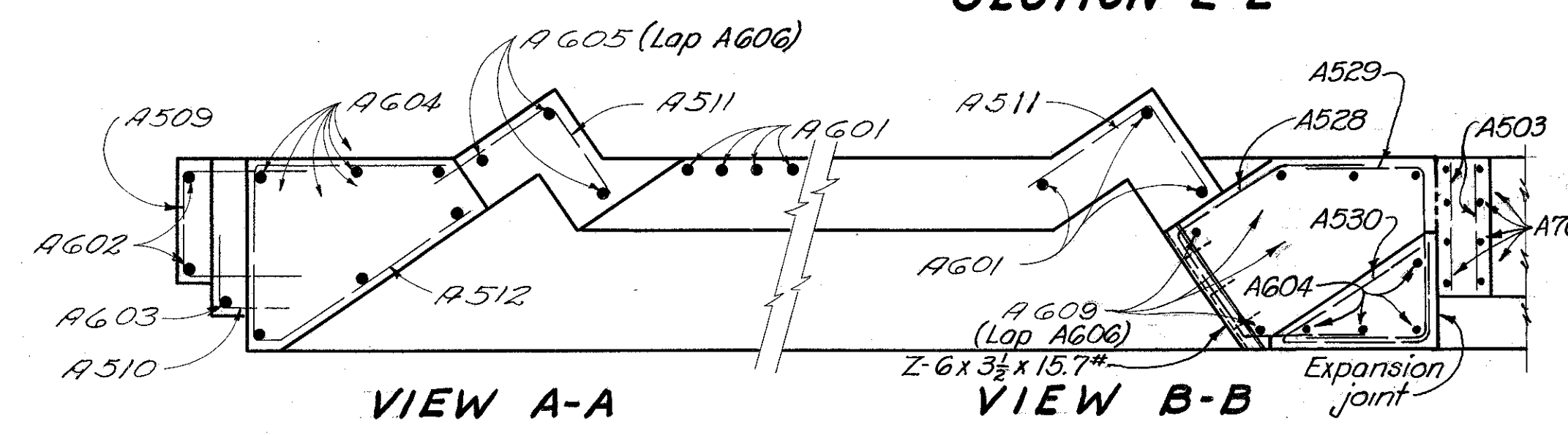


PLAN OF TIE PIER (AT CONSTRUCTION JOINT)

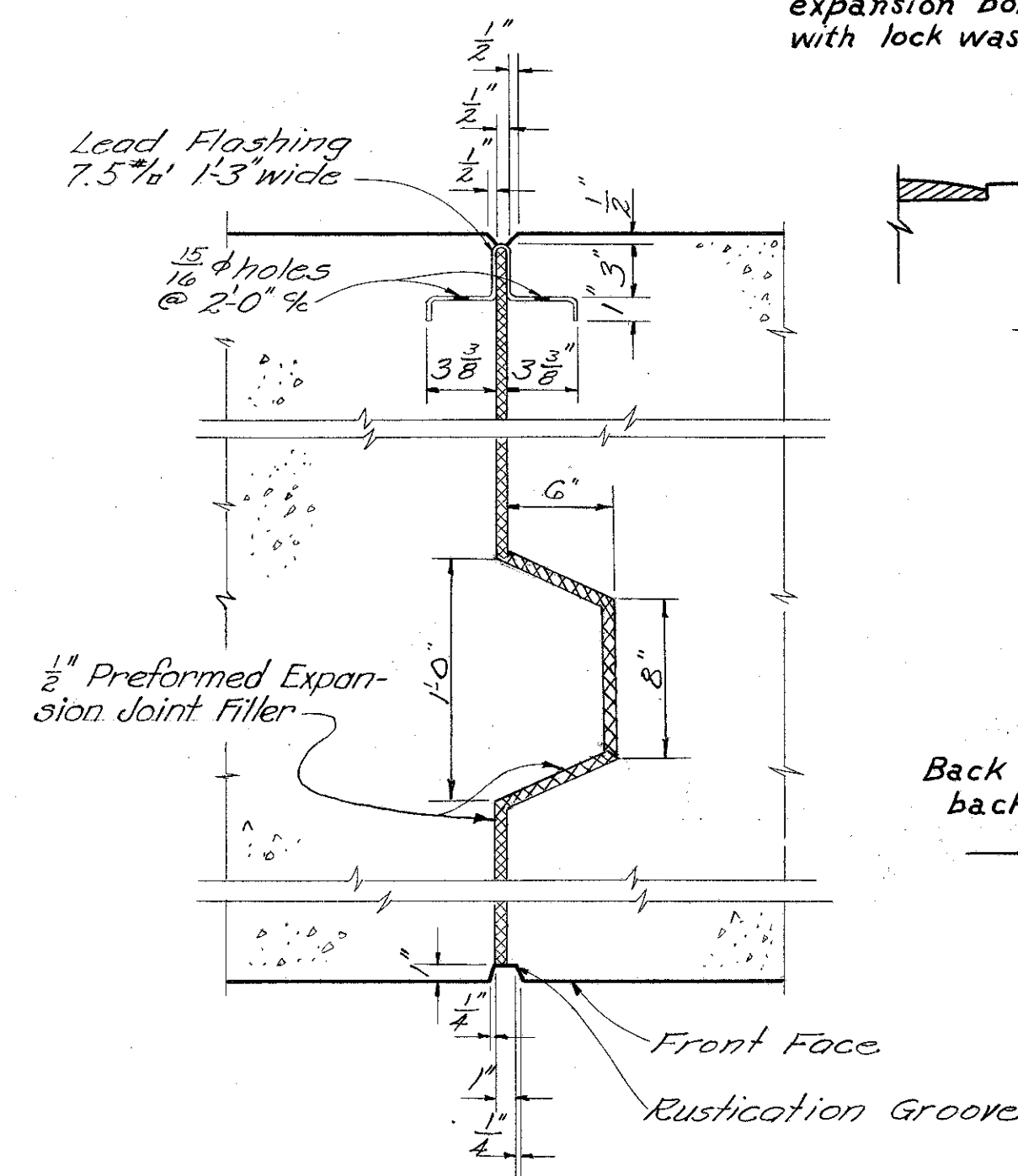


SECTION C-C

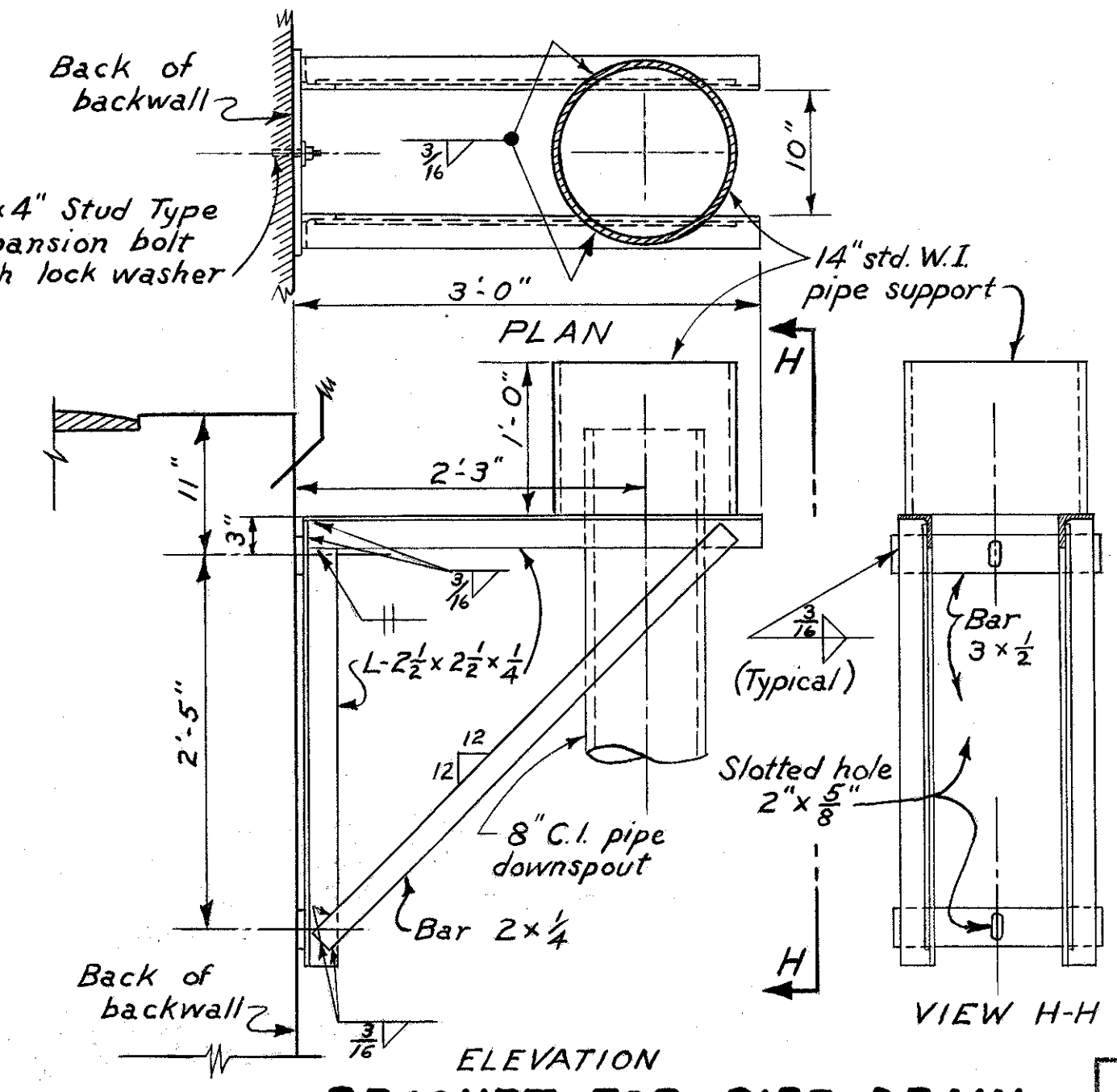
SECTION E-E



DETAIL OF RUSTICATION GROOVE

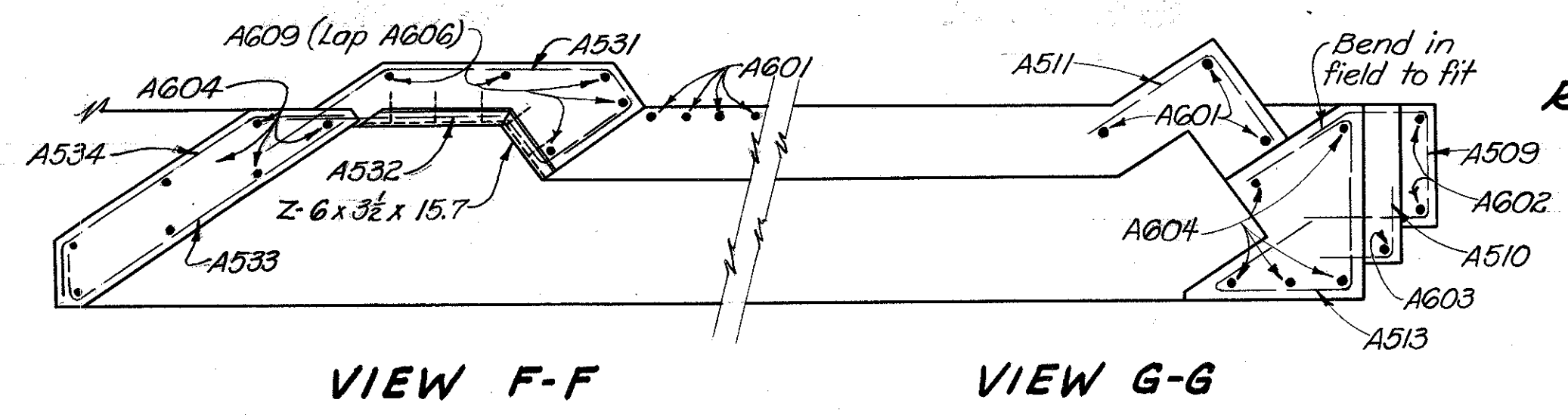


EXPANSION JOINT DETAIL



BRACKET FOR PIPE DRAIN

NOTE: All exposed parts of the bracket including the 14" W.I. pipe support shall be given two coats of Type 'A' waterproofing.



VIEW F-F

VIEW G-G

STATE OF OHIO DEPARTMENT OF HIGHWAYS DIVISION OF DESIGN AND CONSTRUCTION BUREAU OF BRIDGES						
<b>ABUTMENT DETAILS</b>						
BRIDGE NO. LAK - 640-0286						
N.Y.C. #ST.L. RR. OVER SR. 640						
LAKE COUNTY						
DESIGNED	DRAWN	TRACED	CHECKED	REVIEWED	DATE	REVISED
DM	DM	Parker	WCK	BFG	8-3-59	10-1-59