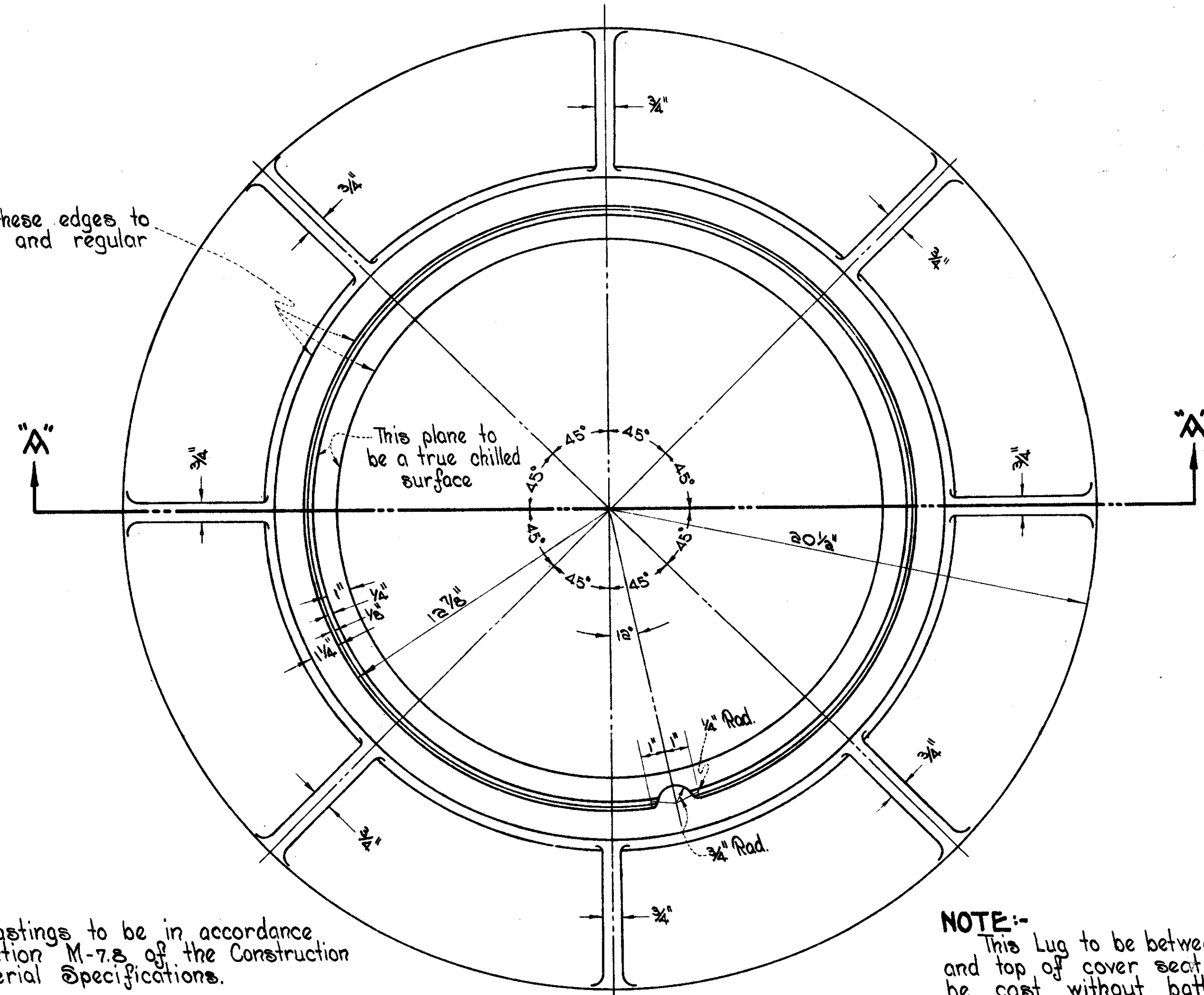


SPECIAL MANHOLE FRAME

STANDARD CITY TYPE

Scale 3" = 1'-0"

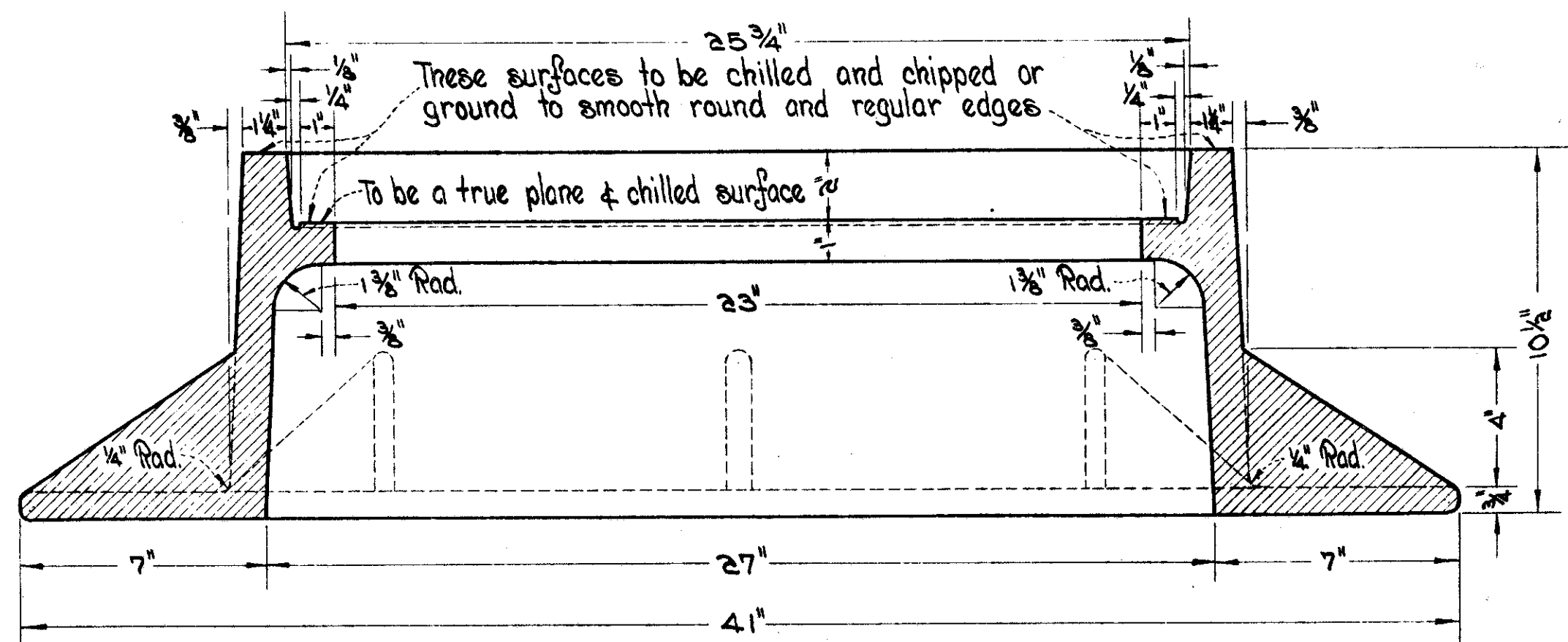
Grind or Chip these edges to smooth round and regular condition



PLAN

NOTE:- All castings to be in accordance with Section M-7.3 of the Construction and Material Specifications.

NOTE:- This Lug to be between top of frame and top of cover seat only and shall be cast without batter.



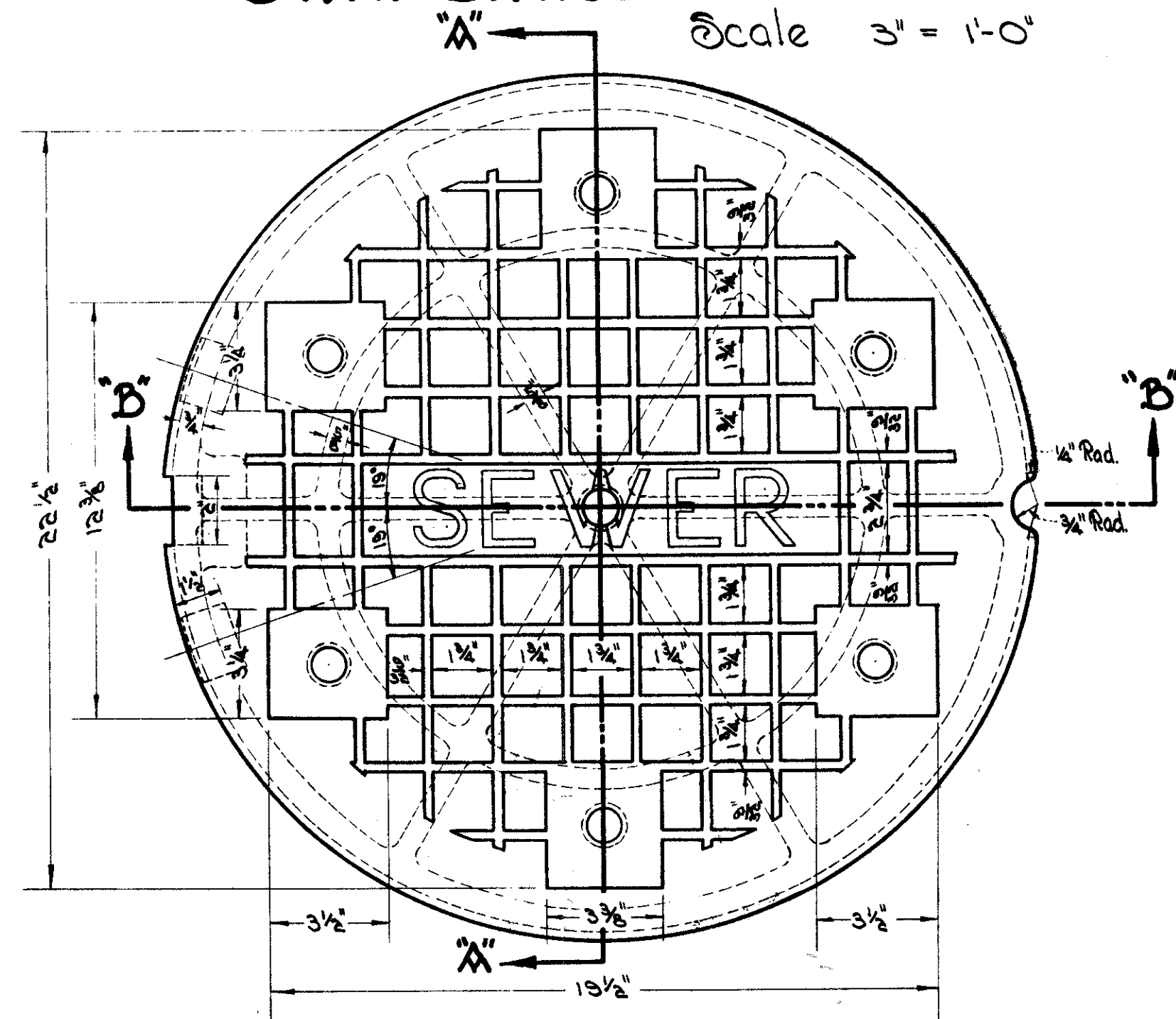
SECTION "A-A"

Weight of Frame 355 lbs.

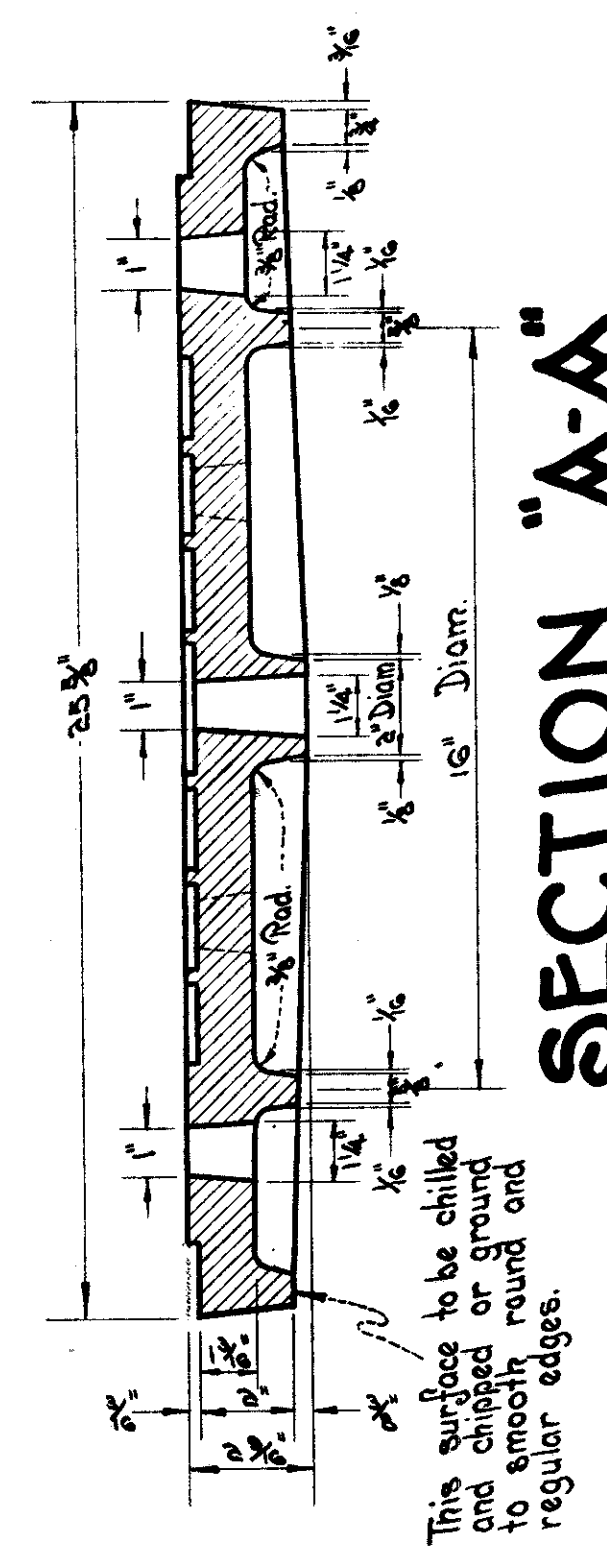
SPECIAL COVER

STANDARD CITY TYPE

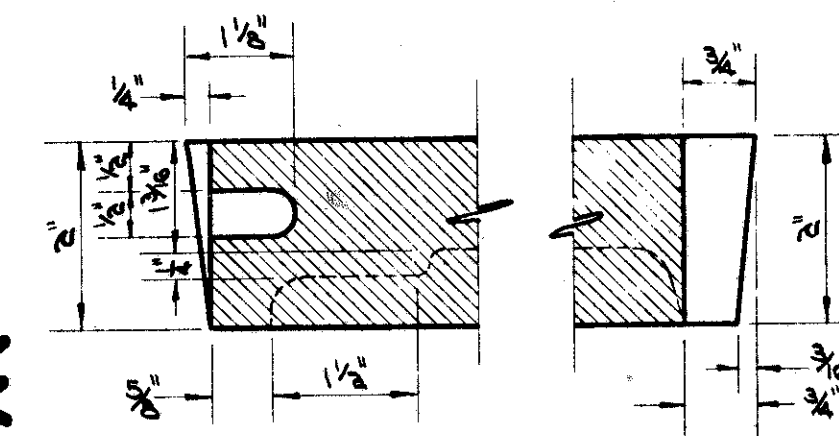
Scale 3" = 1'-0"



PLAN



SECTION "A-A"



PART SECTION "B-B"
Scale 1/2" = 1"

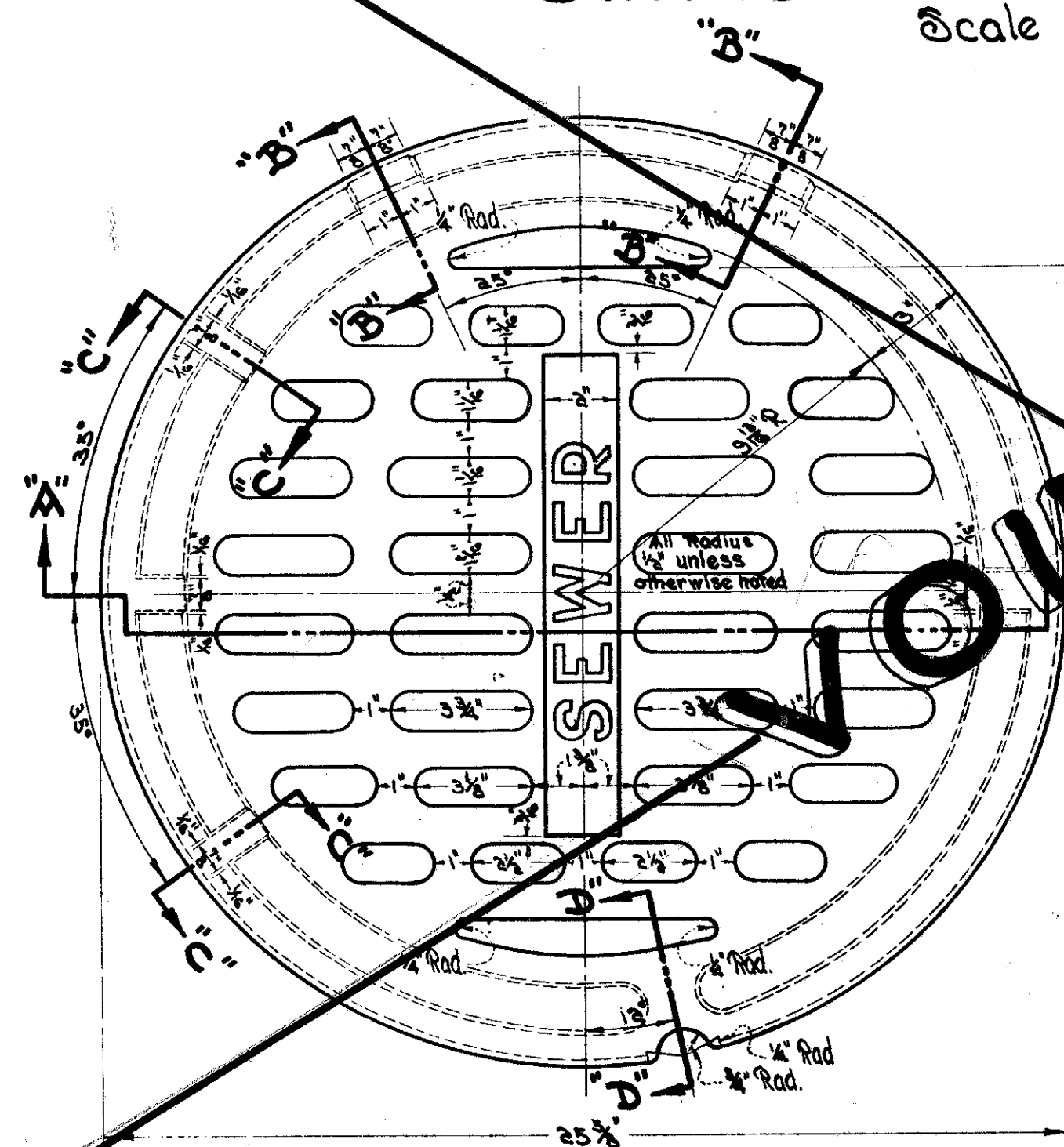
SIDE ELEVATION OF NOTCHES

Weight of Cover 155 lbs.

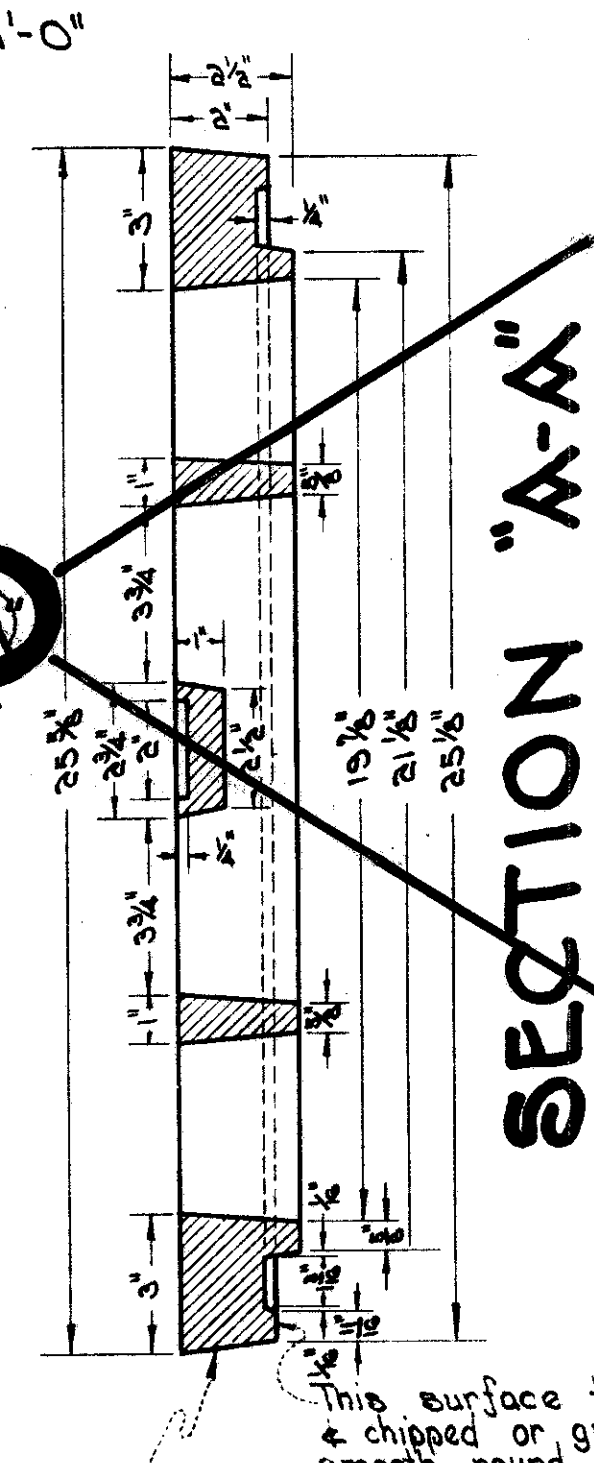
SPECIAL GRATED COVER

STANDARD CITY TYPE

Scale 3" = 1'-0"

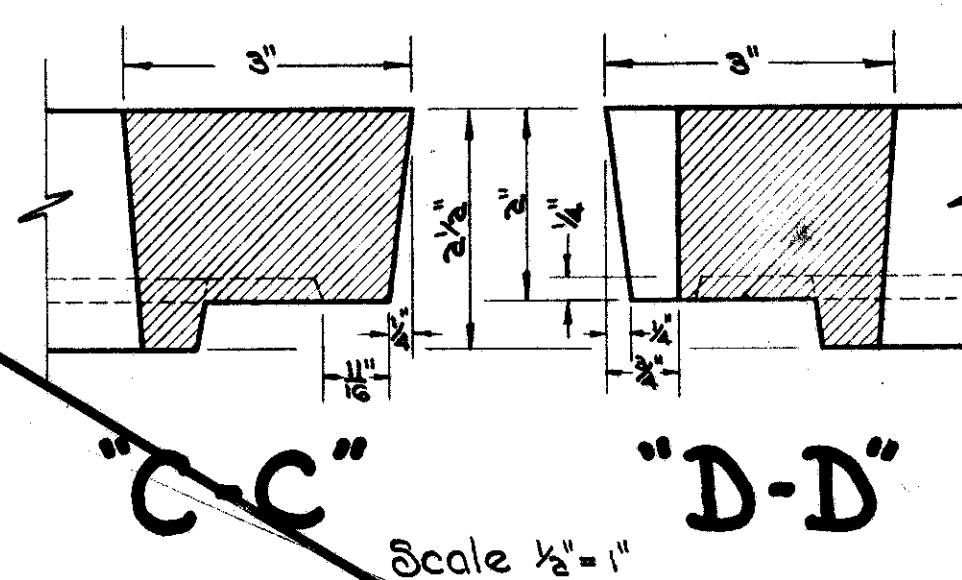


PLAN



SECTION "A-A"

SECTION "B-B"
Scale 1/2" = 1"



SECTION "C-C"

SECTION "D-D"
Scale 1/2" = 1"

This surface to be chilled & chipped or ground to smooth round regular edges.
This surface shall be straight and smooth.