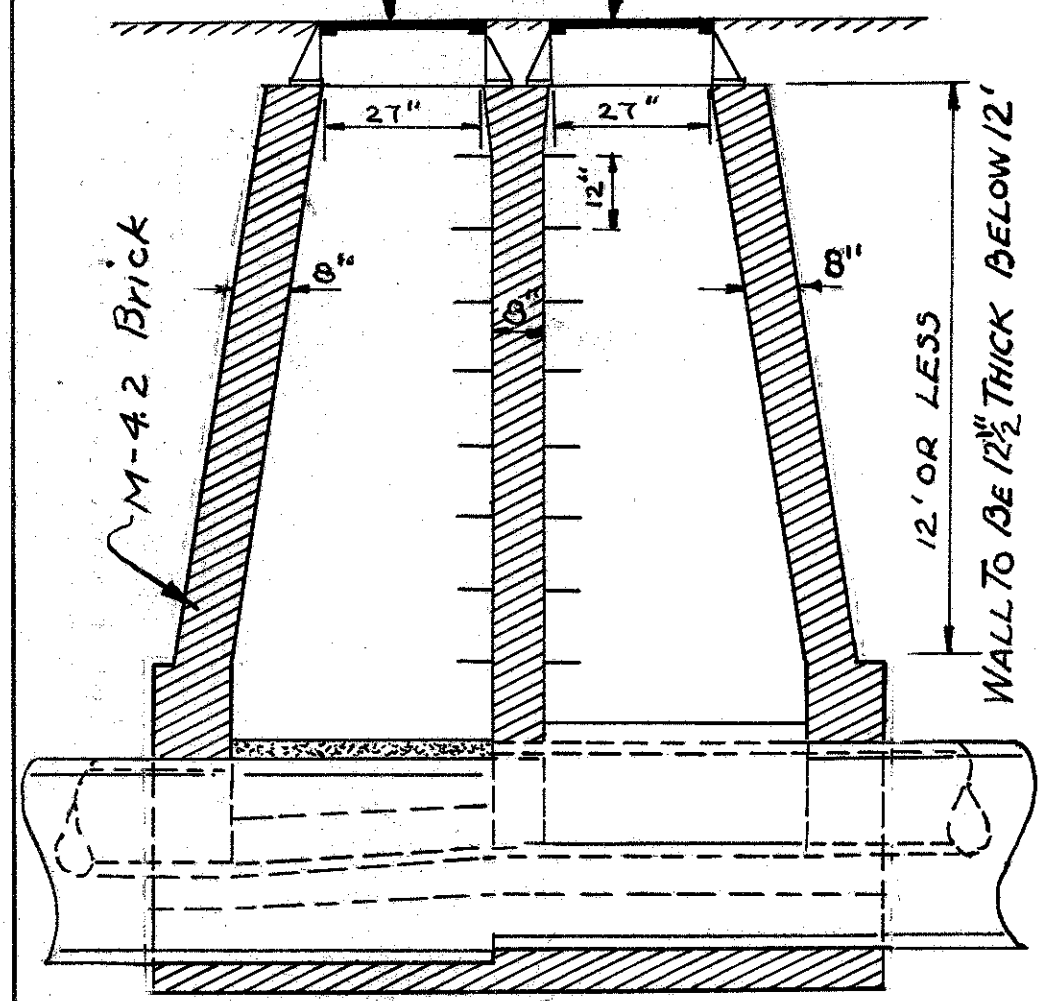


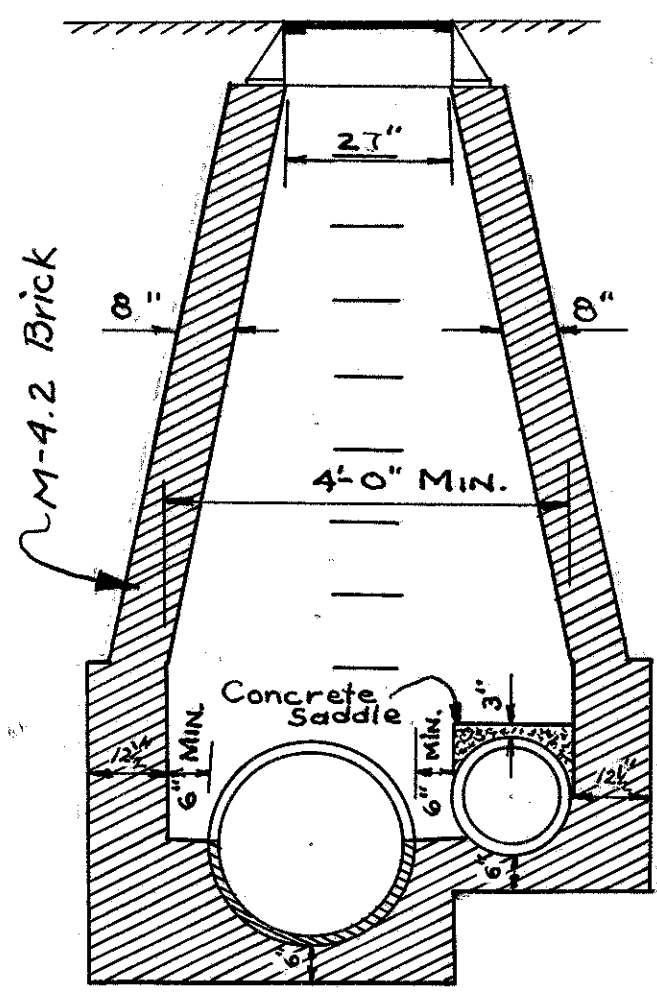
NOTE: The notes under Standard Manhole No. 1 shall govern for any details or items not shown on these plans. Brick used will meet the requirements of M-4.2 Brick.

DETAIL OF MANHOLE STEPS  
WROUGHT IRON

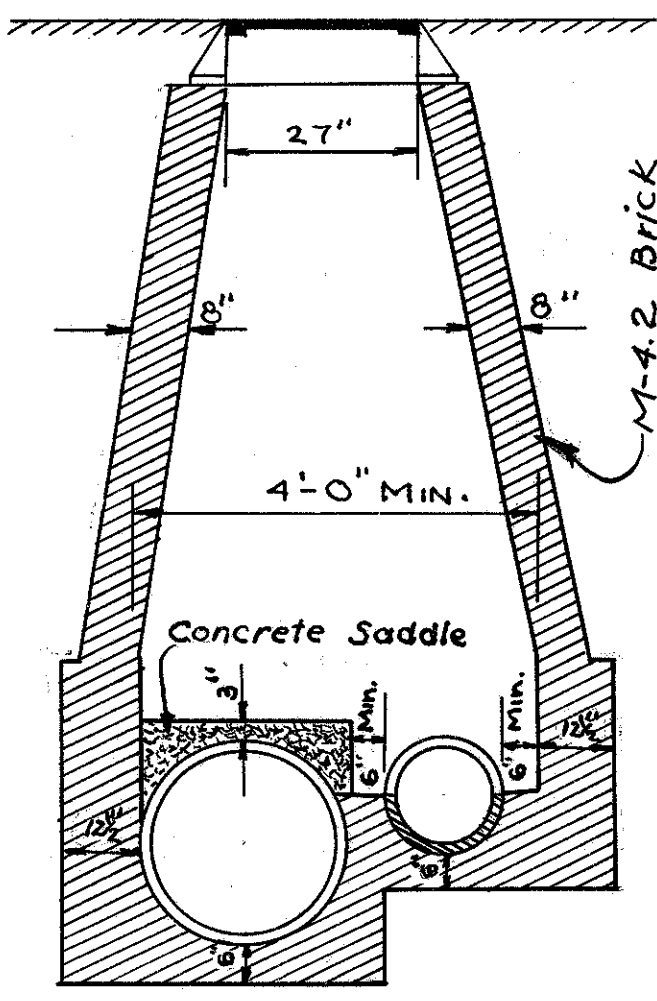
SEE DETAIL SPEC. MANHOLE FRAME & COVER PG. 47



SECTION A-A



SECTION B-B



SECTION C-C

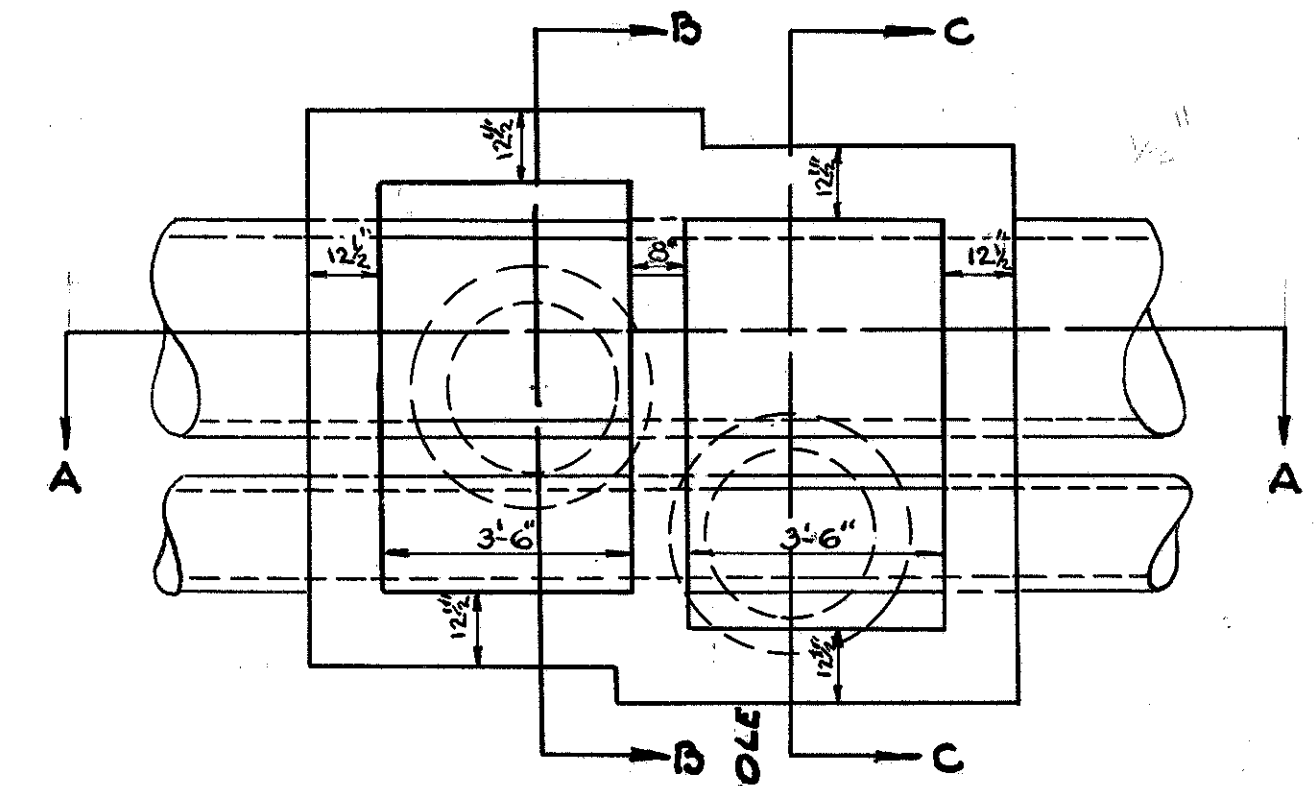
STUBS REQUIRED BY PLANS SHALL BE BUILT INTO THIS STRUCTURE AND SHALL BE INCLUDED IN THE PRICE BID FOR THE SAME.

## DETAIL OF SPECIAL DUAL MANHOLE No.1

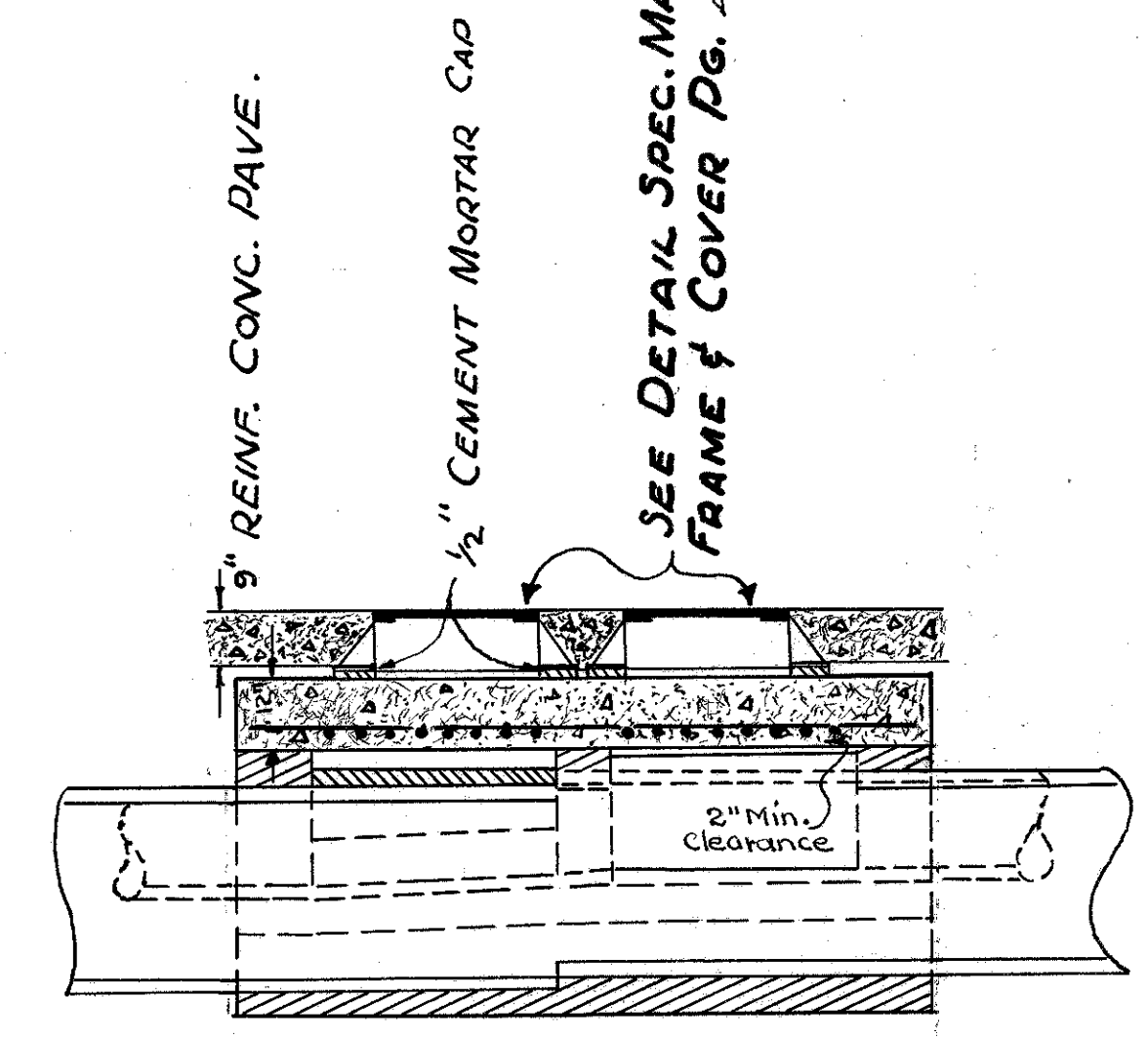
SCALE 3/8" = 1'-0"

## DETAIL SPECIAL DUAL MANHOLE No. 2

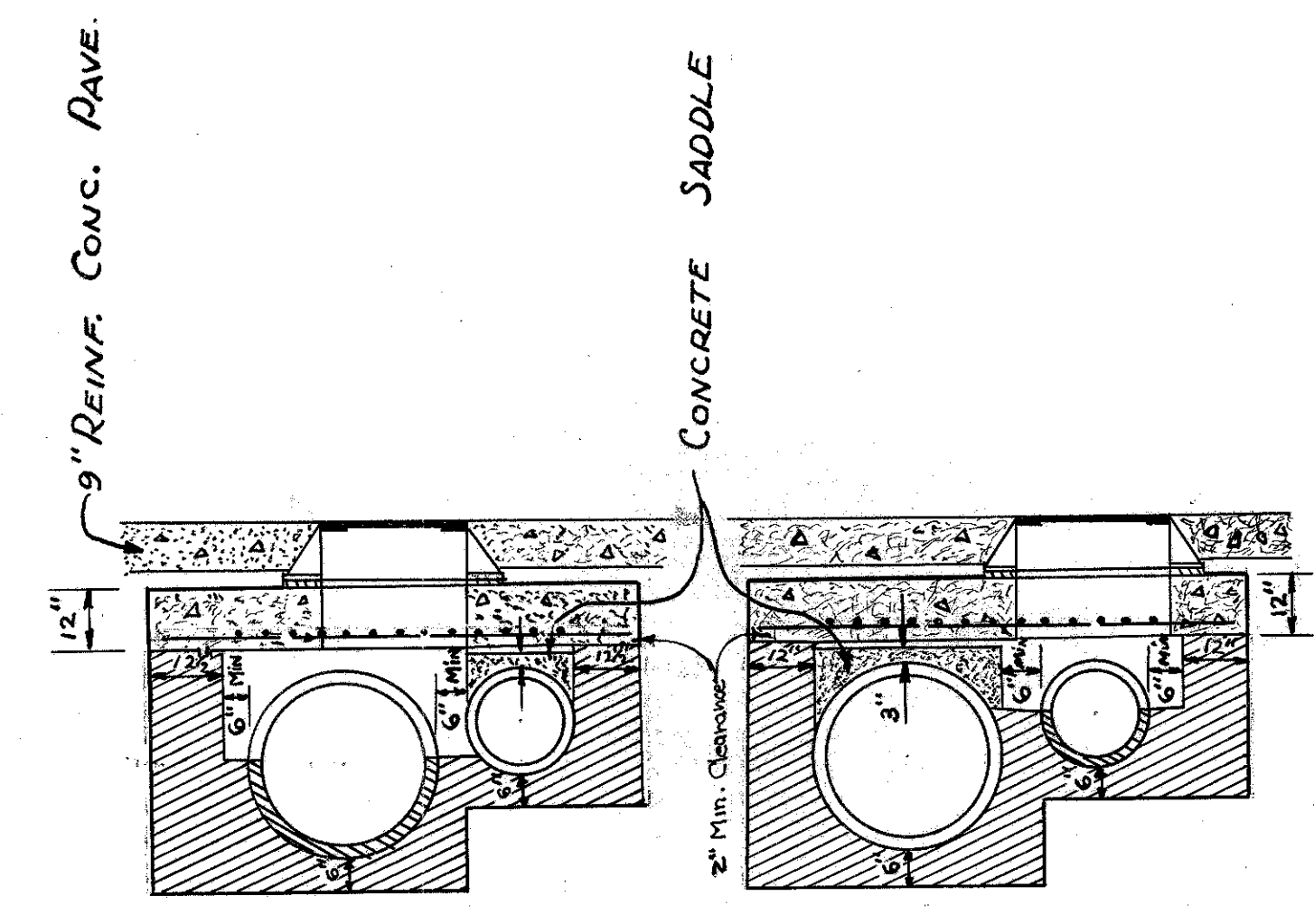
SCALE 3/8" = 1'-0"



NOTE: The materials for construction of the Dual Manhole No. 2 shall be open to Concrete (Class C) or Brick. The Notes under Standard Manhole No. 1 of the Standard Construction Drawings shall govern for any details not shown on these plans. Brick used will meet the requirements of Sec. M-4.2 brick.

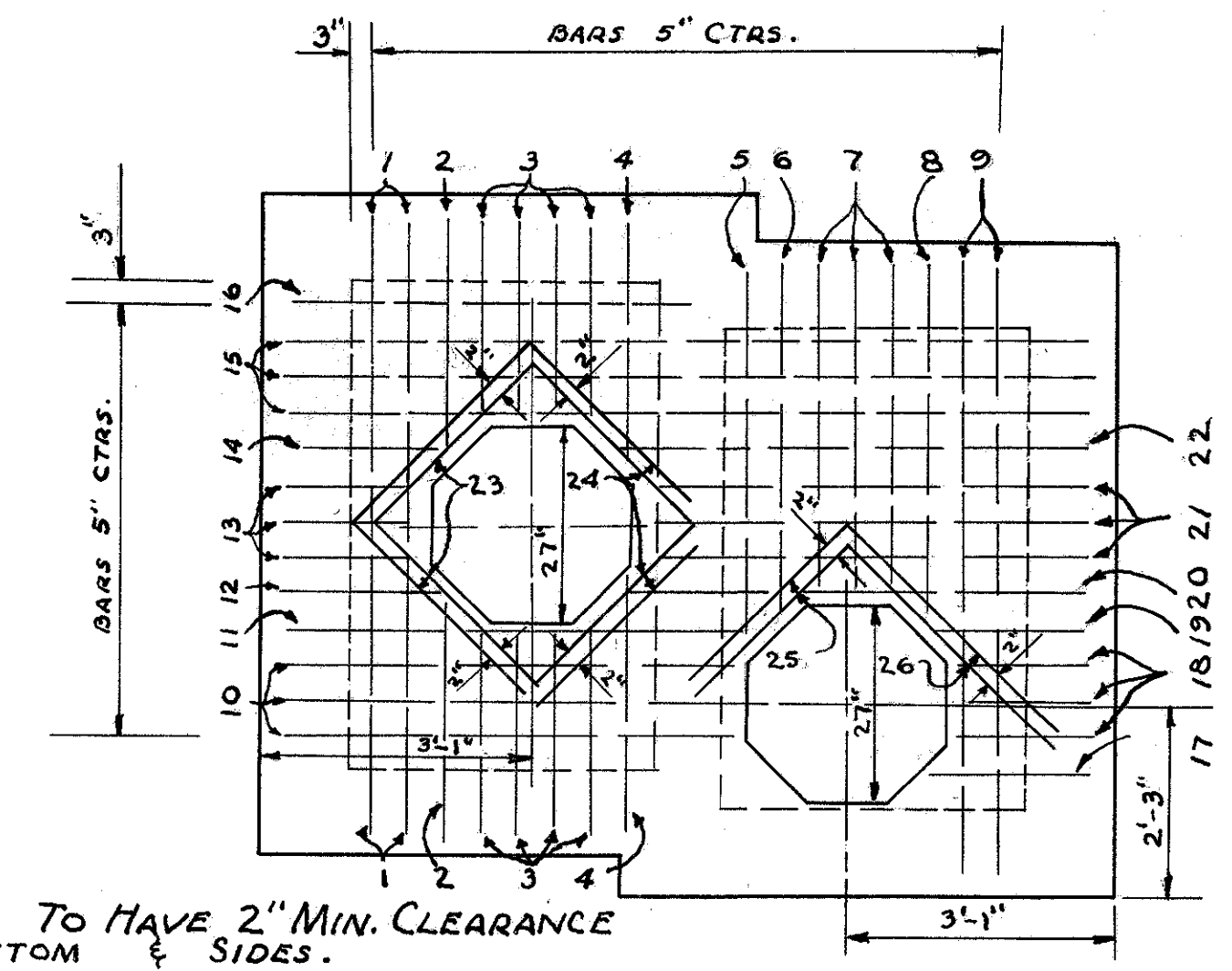


SECTION A-A



SECTION B-B

SECTION C-C



ALL BARS TO HAVE 2" MIN. CLEARANCE FROM BOTTOM & SIDES.

12" REINFORCED CONCRETE TOP SLAB  
CLASS C CONCRETE  
SCALE 1/2" = 1'-0"

BAR LIST					
Ref.	No. Req.	DETAIL	SIZE	LENGTH	WEIGHT LBS.
1	2	STRAIGHT	7/8"	7'-3"	29.7
2	2	"	3/4"	2'-10"	8.5
3	8	"	"	2'-4"	28.1
4	2	"	"	2'-11"	8.8
5	1	"	"	4'-6"	6.7
6	1	"	"	4'-1"	6.1
7	3	"	"	3'-10 1/2"	17.5
8	1	"	"	4'-3"	6.4
9	2	"	7/8"	7'-3"	29.6
10	3	"	3/4"	5'-2 1/2"	23.5
11	1	"	"	8'-7"	12.9
12	1	"	"	1'-11"	2.9
13	3	"	"	1'-7 1/2"	7.3
14	1	"	"	1'-11"	2.9
15	3	"	"	9'-5"	42.4
16	1	"	"	4'-9"	7.1
17	1	"	"	1'-10"	2.8
18	3	"	"	1'-7 1/2"	7.3
19	1	"	"	1'-11"	2.9
20	1	"	"	8'-5"	12.6
21	3	"	"	5'-2 1/2"	23.5
22	1	"	"	8'-6"	12.8
23	4	"	"	3'-6"	21.0
24	4	"	"	2'-9"	16.5
25	2	"	"	2'-9"	8.3
26	2	"	"	3'-6"	10.5
<b>TOTAL</b>					<b>358.6 Lbs.</b>