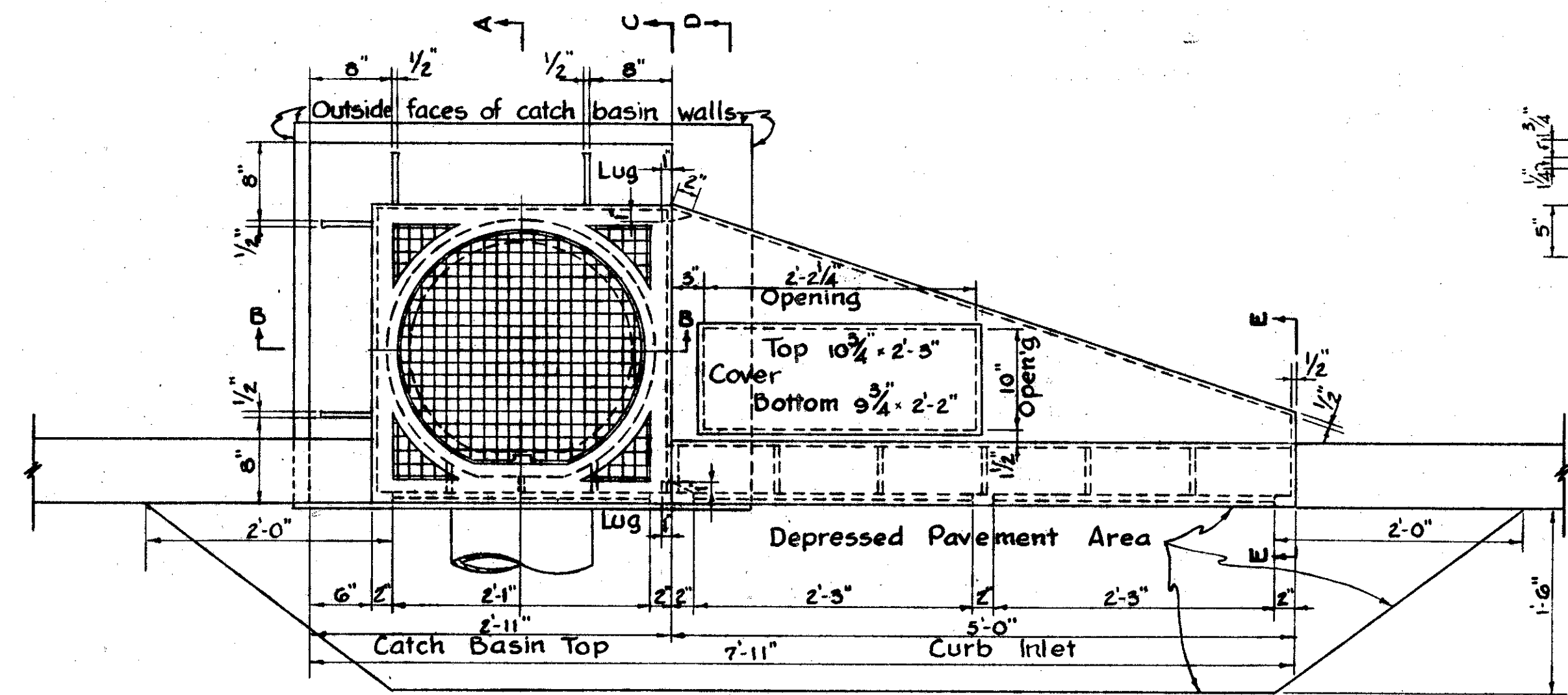
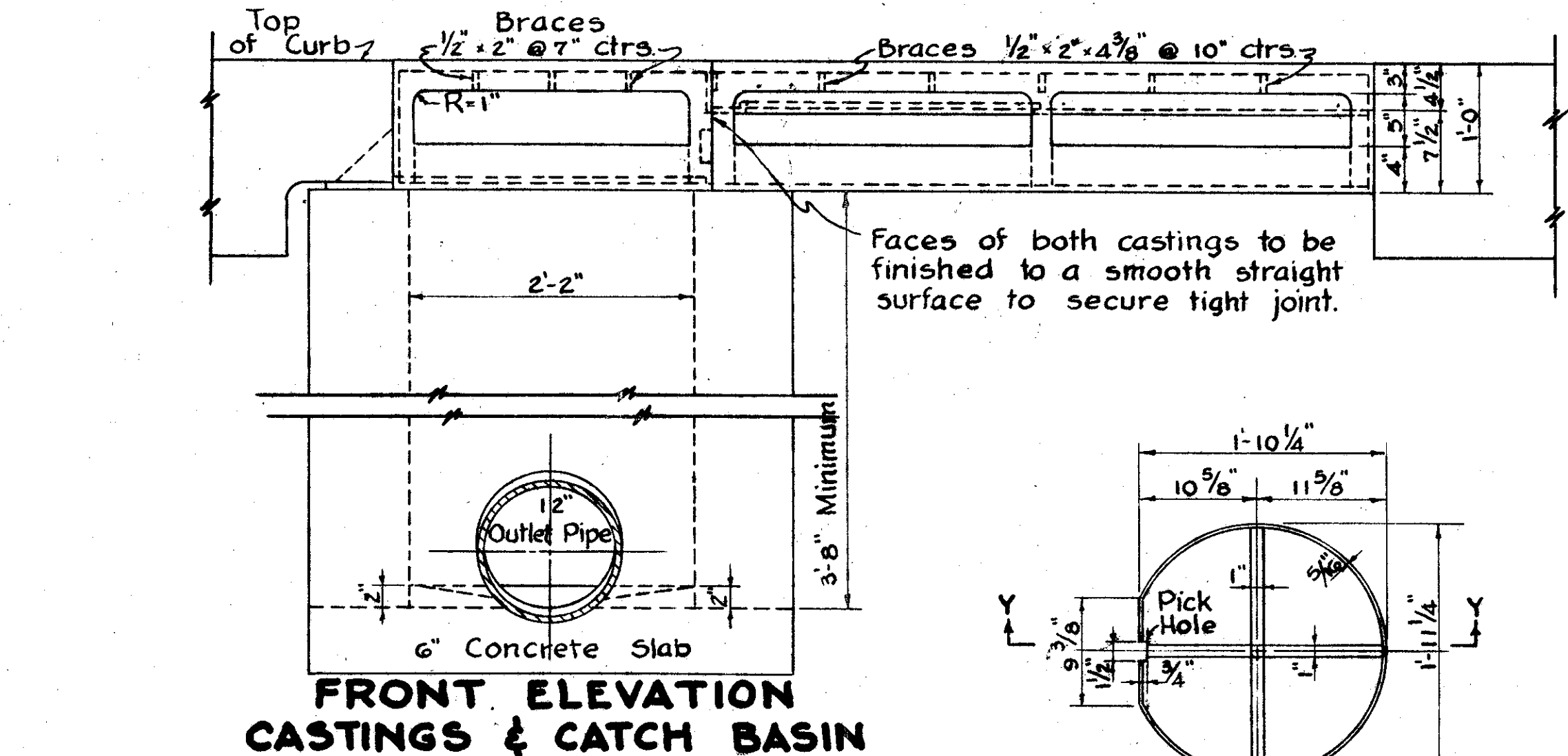


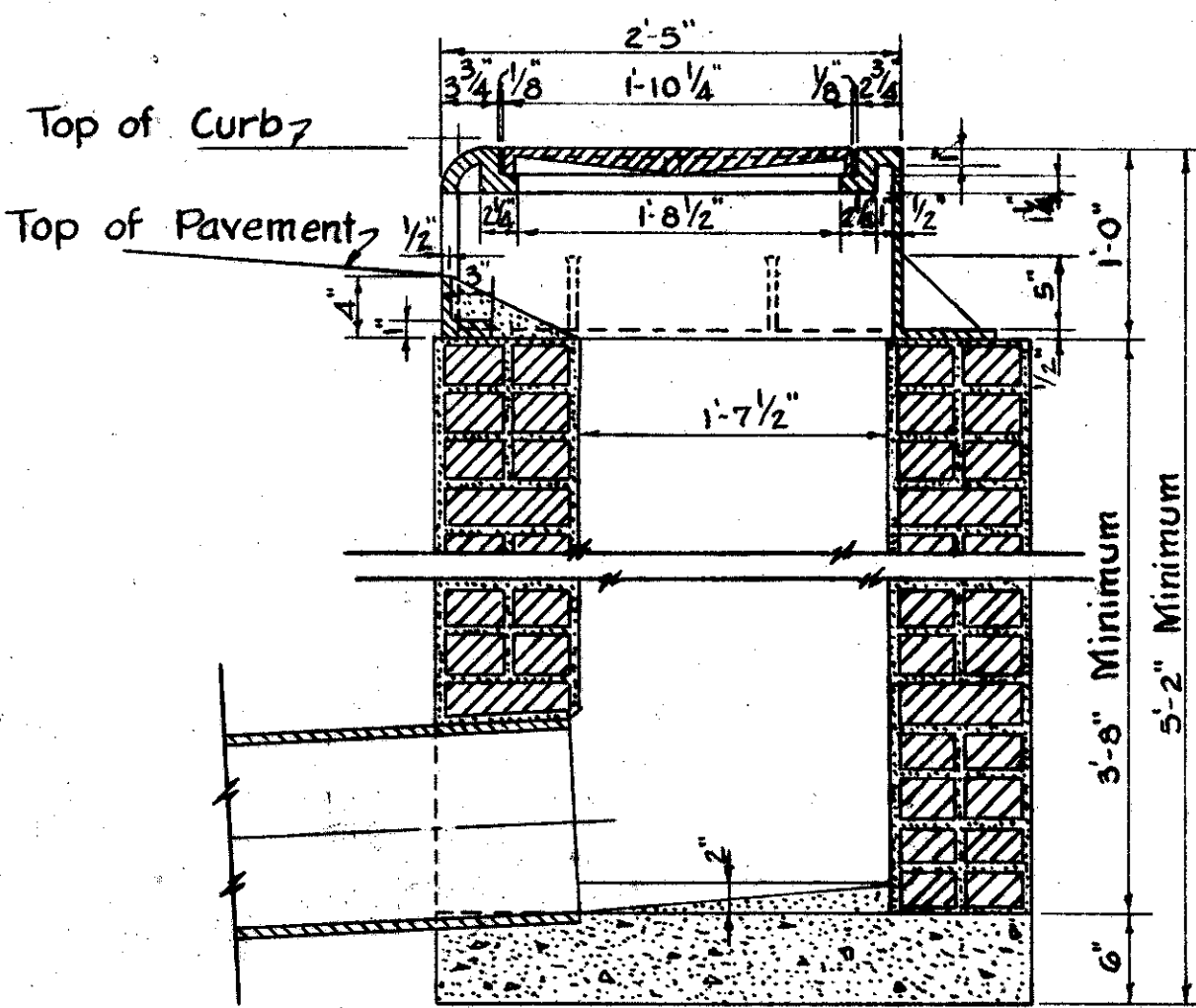
SPECIAL CURB INLET No 1



PLAN



FRONT ELEVATION CASTINGS & CATCH BASIN



SECTION "A-A"

METHOD OF ORDERING CURB INLETS:
Face down-grade. The inlets that are located in the left curb are LEFT CURB INLETS. Those located in the right curb are RIGHT CURB INLETS.

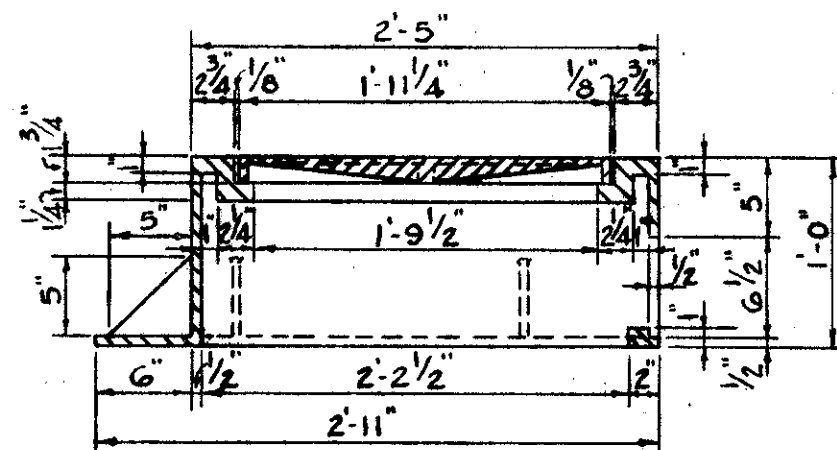
NOTES:

- WALLS - Brick walls shall be 8" thick and plastered on the inside and outside with 1:2 cement mortar 1/2" thick. Concrete sidewalls, where used in place of brick, shall be made 6" thick of Class "C" concrete.
- OUTLET - The outlet shall be of the size shown on the Plans and may be constructed in any side.
- BOTTOM - Bottom shall be built as per plan of Class "C" concrete.
- CASTINGS - Castings may be made in accordance with details shown herewith, or may be of similar design but of equal weight. All castings to be in accordance with Sec. M-78 of the Material Details. Cover seat surfaces to be finished to smooth rounded edges.

WEIGHTS

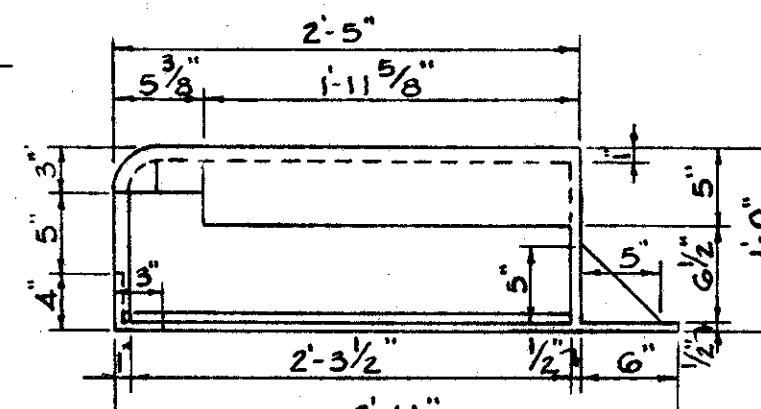
Catch Basin Cover	65 lbs.
Catch Basin Frame	600 lbs.
Curb Inlet Frame & Cover	635 lbs.

SCALE: 1"=1'-0"

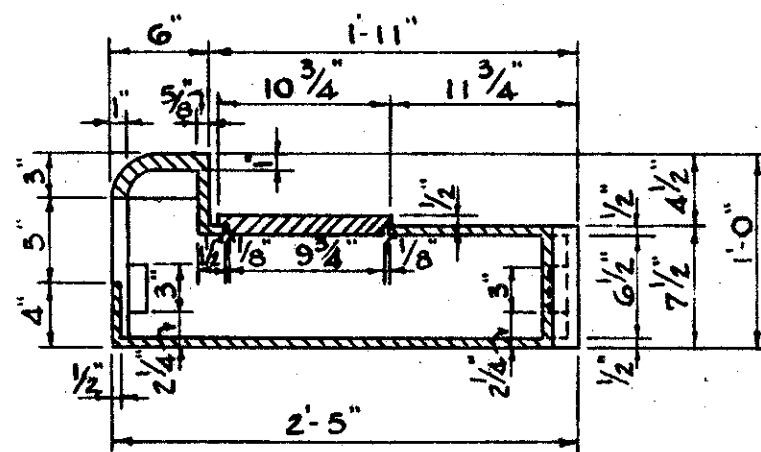


SECTION "B-B"

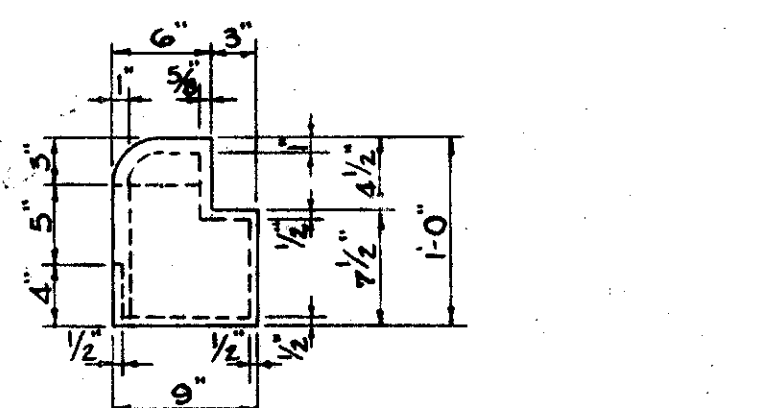
Pavement to be depressed 2" along the curb line for the entire length of the casting opening.



END VIEW "C-C"

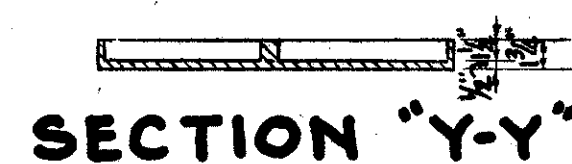


SECTION "D-D"



END VIEW "E-E"

BOTTOM OF COVER



SECTION "Y-Y"

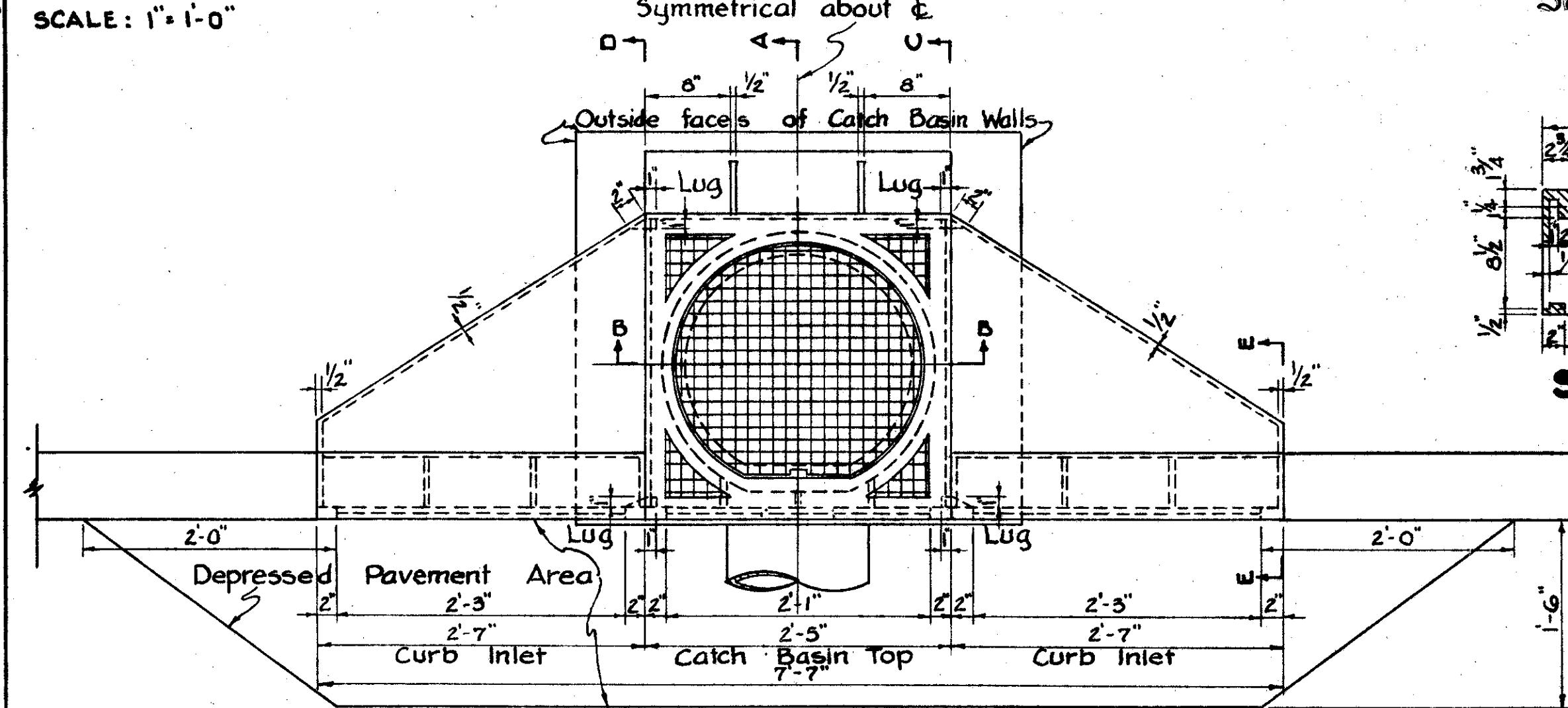
SPECIAL CURB INLET No 2

FED. RD. DIVISION	STATE	PROJECT	TYPE FORDS
2	OHIO		

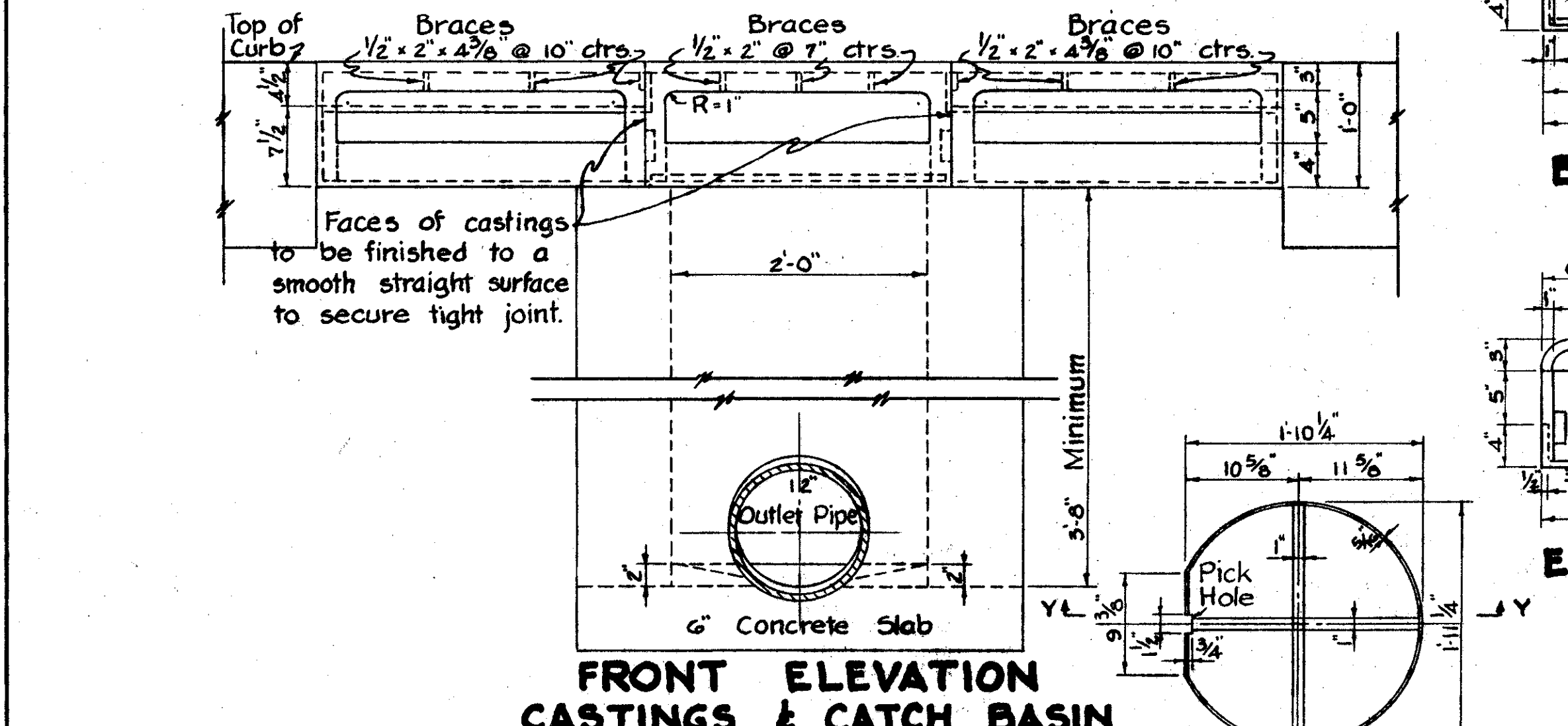
44
100

LAKE COUNTY
SEC. LAM. 640-2.56

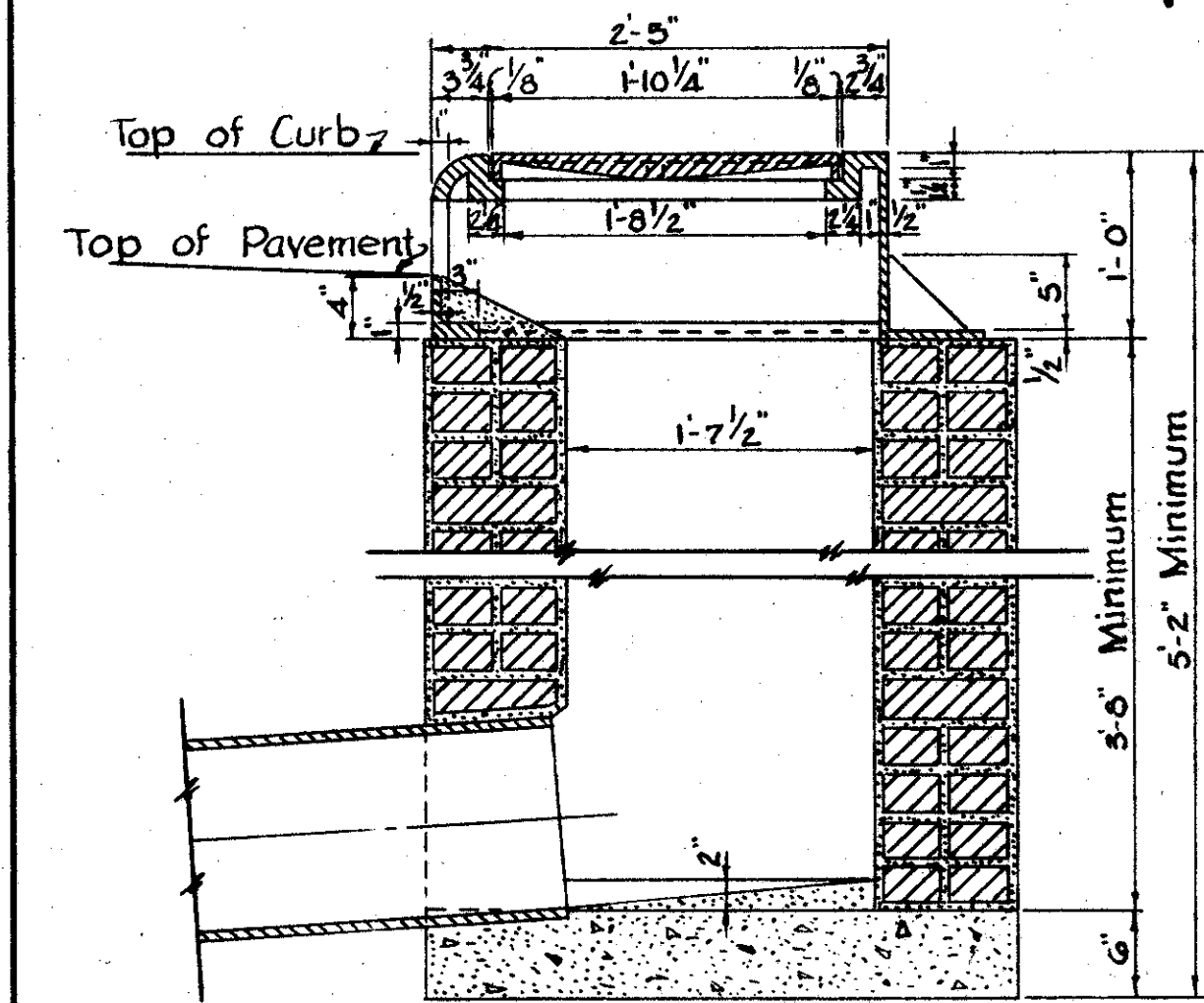
SCALE: 1"=1'-0"



PLAN



FRONT ELEVATION CASTINGS & CATCH BASIN



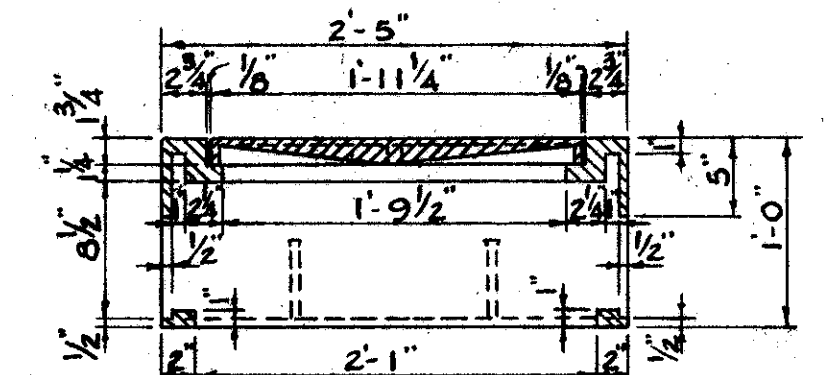
SECTION "A-A"

NOTES:

- WALLS - Brick walls shall be 8" thick and plastered on the inside and outside with 1:2 cement mortar 1/2" thick. Concrete sidewalls, where used in place of brick, shall be made 6" thick of Class "C" concrete.
- OUTLET - The outlet shall be of the size shown on the Plans and may be constructed in any side.
- BOTTOM - Bottom shall be built as per plan of Class "C" concrete.
- CASTINGS - Castings may be made in accordance with details shown herewith, or may be of similar design but of equal weight. All castings to be in accordance with Sec. M-78 of the Material Details. Cover seat surfaces to be finished to smooth rounded edges.

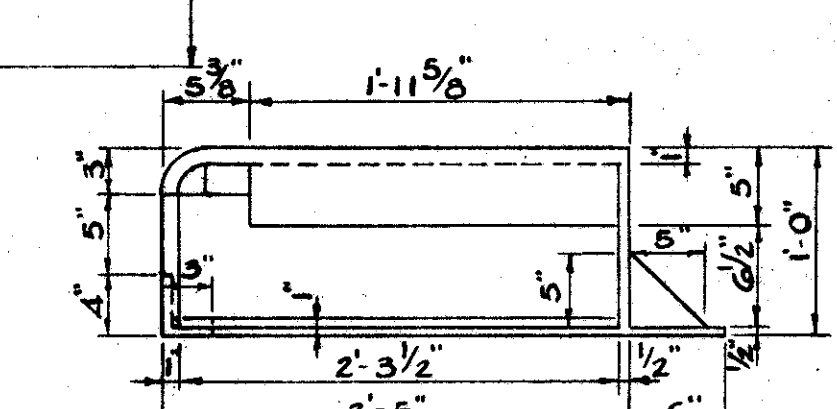
WEIGHTS

Catch Basin Cover	65 lbs.
Catch Basin Frame	535 lbs.
Curb Inlet Frame	550 lbs. Each

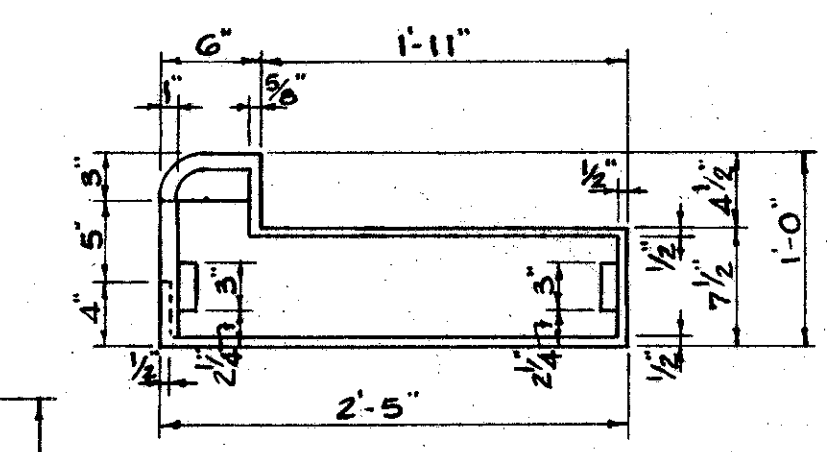


SECTION "B-B"

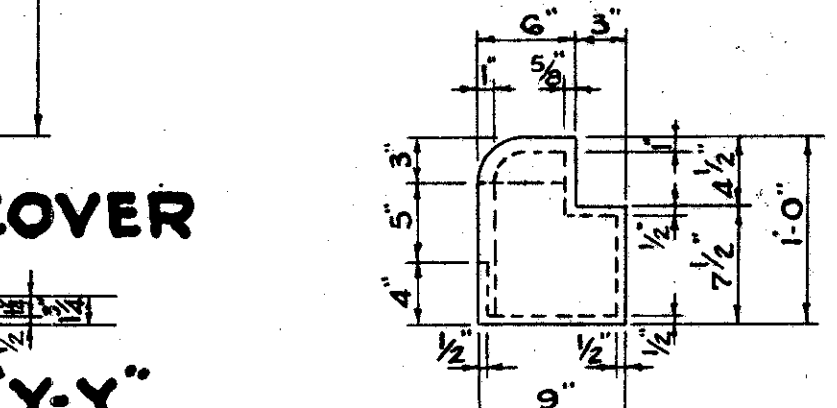
Pavement to be depressed 2" along the curb line for the entire length of the casting opening.



END VIEW "C-C"

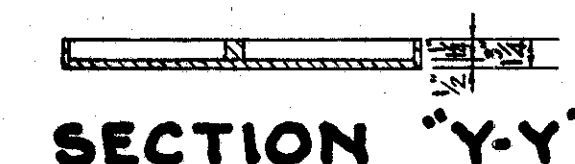


END VIEW "D-D"



END VIEW "E-E"

BOTTOM OF COVER



SECTION "Y-Y"