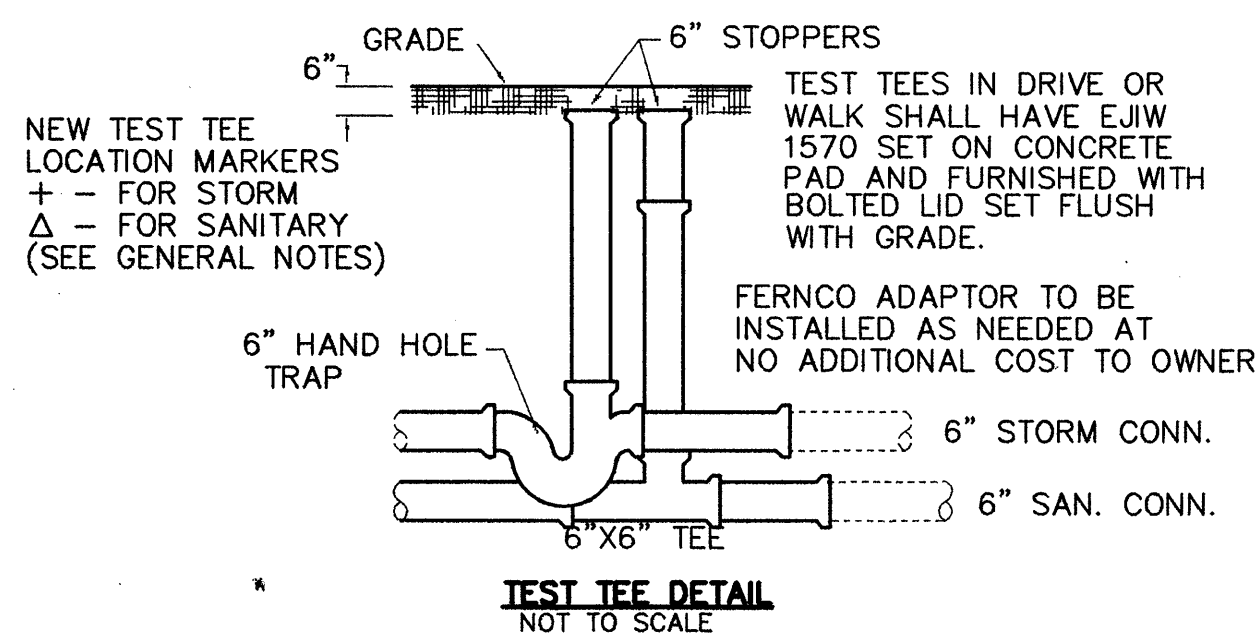


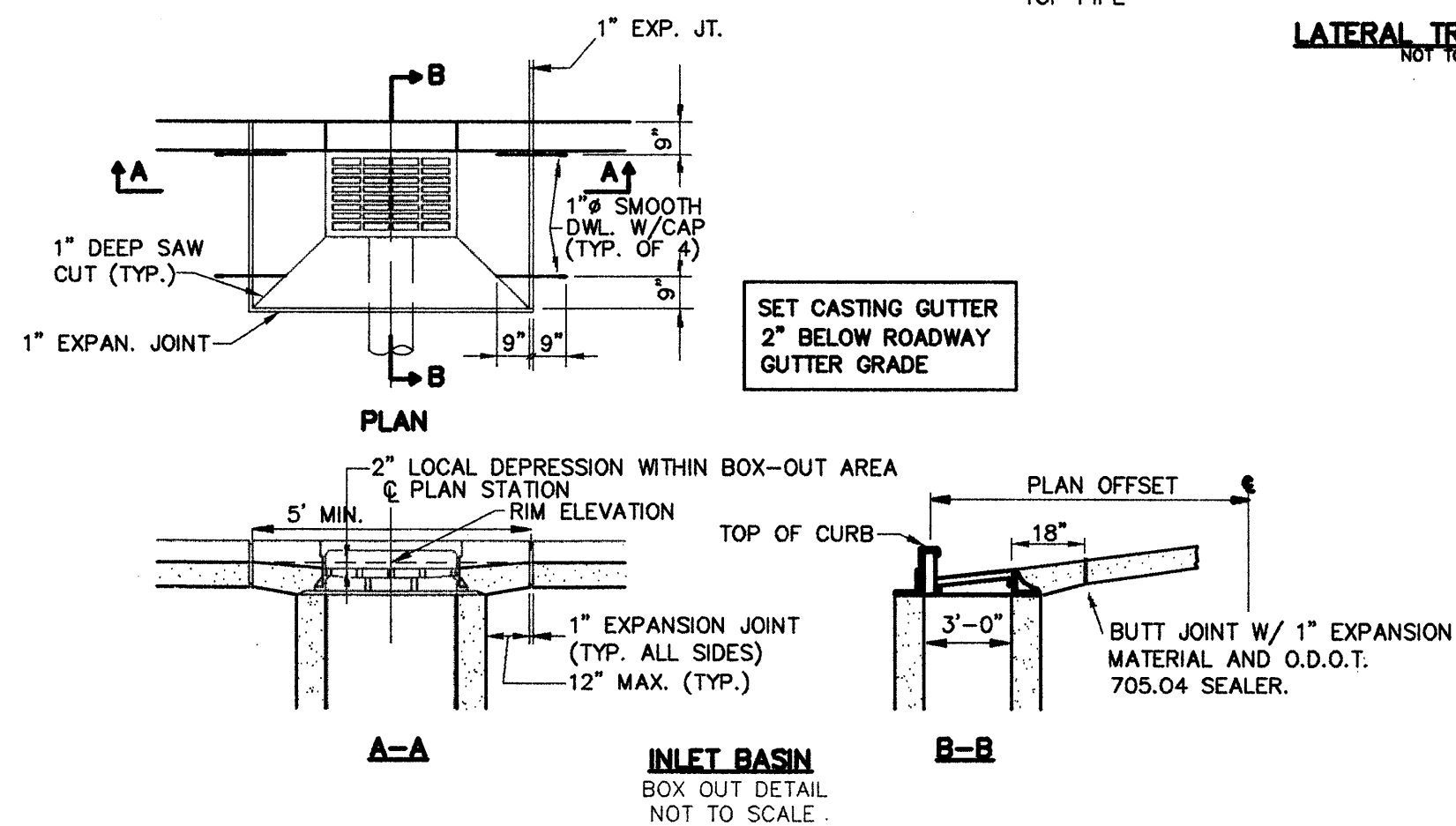
**TYPICAL SECTION**  
SCALE: 1/4" = 1'

**LEGEND**

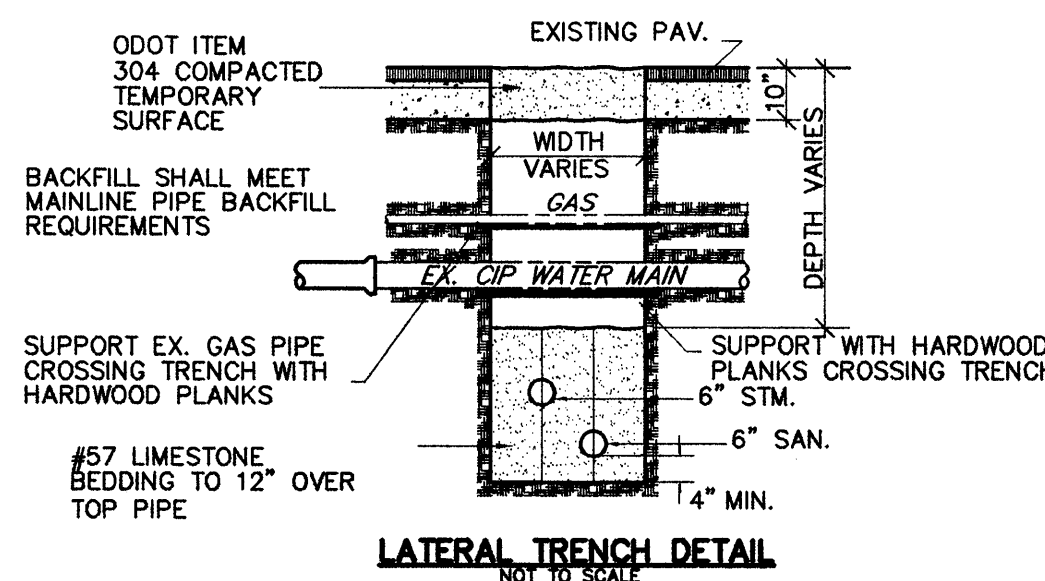
- ① ITEM 451 9" REINFORCED PORTLAND CEMENT CONCRETE PAVEMENT - CLASS MS
- ② ITEM 310 4" SUBBASE, TYPE II
- ③ ITEM 609 6" MONOLITHIC CURB, TYPE 2A
- ④ CONCRETE SURFACE TREATMENT
- ⑤ 4" PERFORATED UNDERDRAIN INCLUDING TRENCH FILTER FABRIC WRAP
- ⑥ ITEM-SPECIAL LAWN RESTORATION, INCLUDING ITEM 653 4" TOPSOIL FURNISHED AND PLACED
- ⑦ ITEM 608 CONCRETE WALK INCLUDE ITEM 310 GRANULAR SUBBASE AND ITEM 202 WALK REMOVED, AS DIRECTED
- Ⓐ STANDARD LONGITUDINAL JOINT



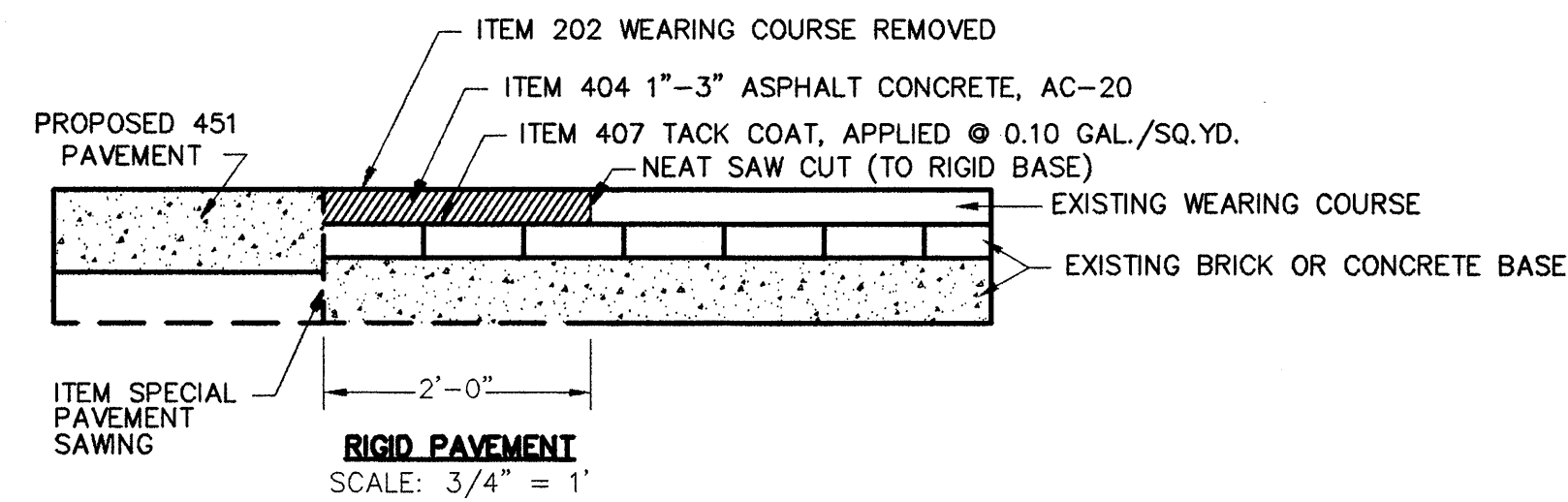
**TEST TEE DETAIL**  
NOT TO SCALE



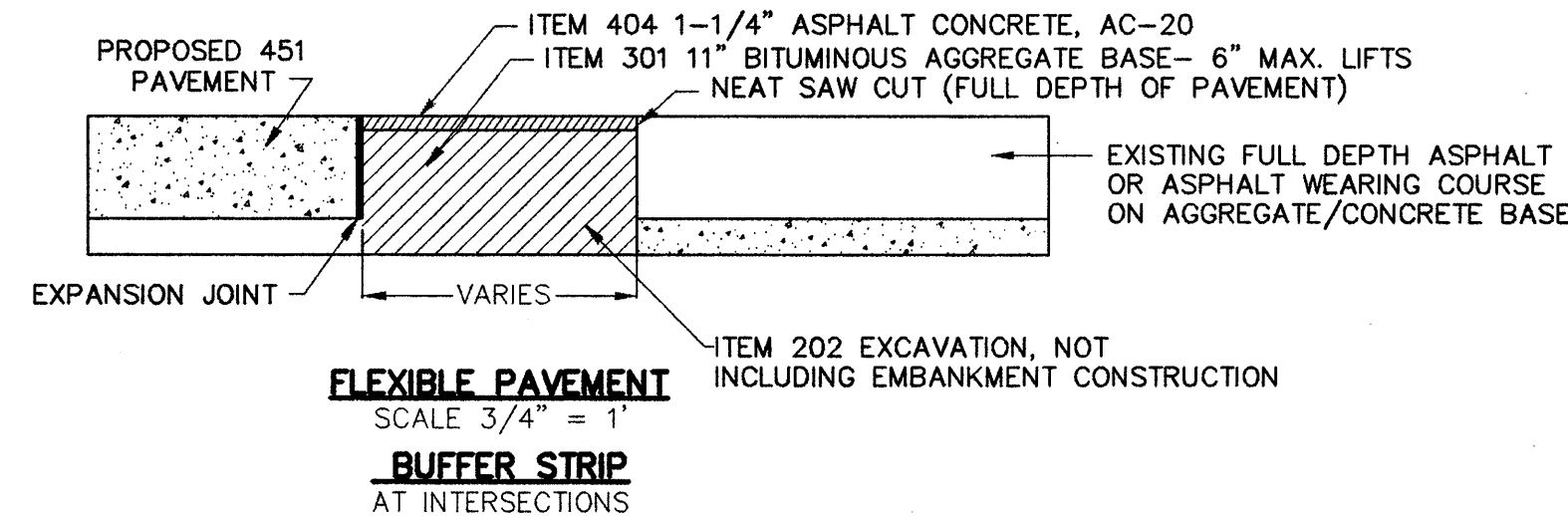
**INLET BASIN BOX OUT DETAIL**  
NOT TO SCALE



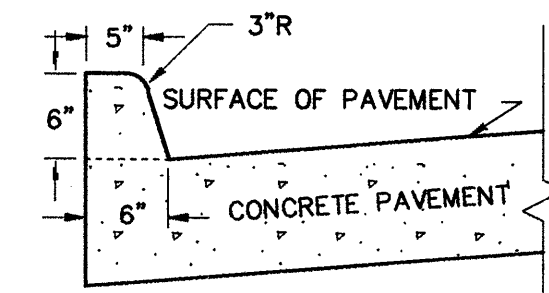
**LATERAL TRENCH DETAIL**  
NOT TO SCALE



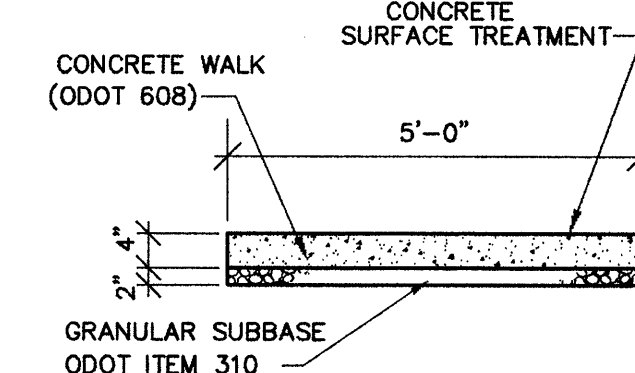
**RIGID PAVEMENT**  
SCALE: 3/4" = 1'



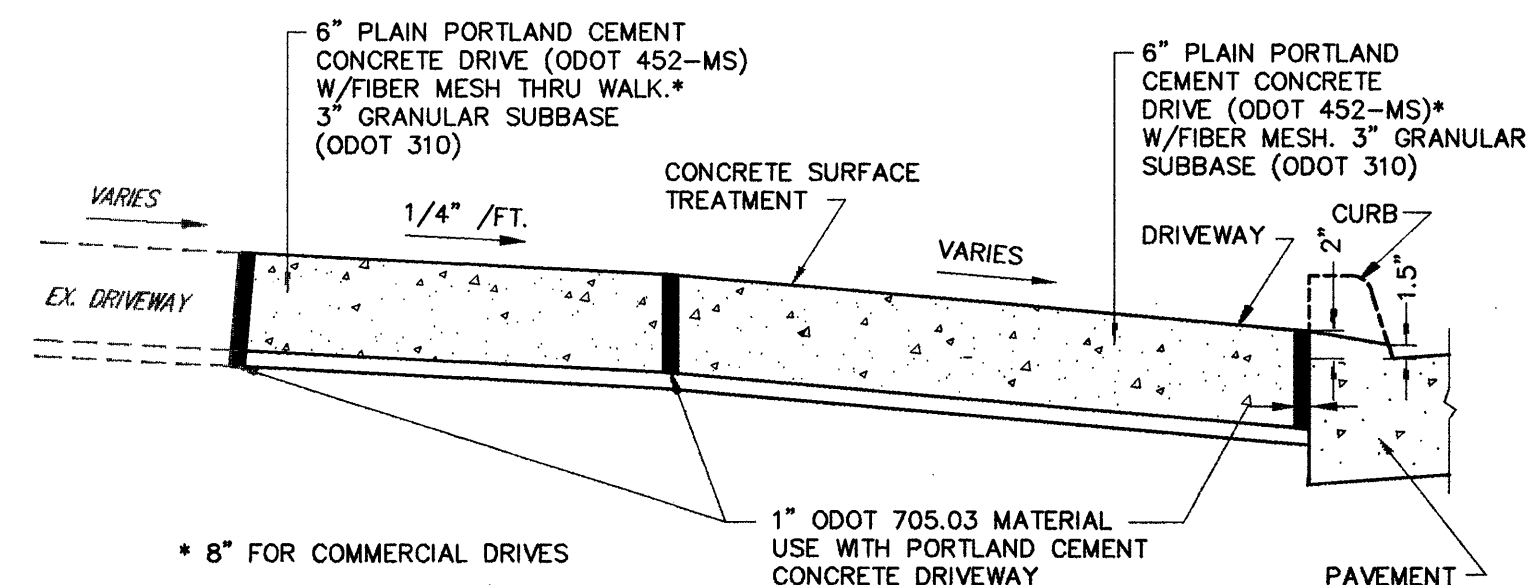
**FLEXIBLE PAVEMENT**  
SCALE 3/4" = 1'  
**BUFFER STRIP**  
AT INTERSECTIONS



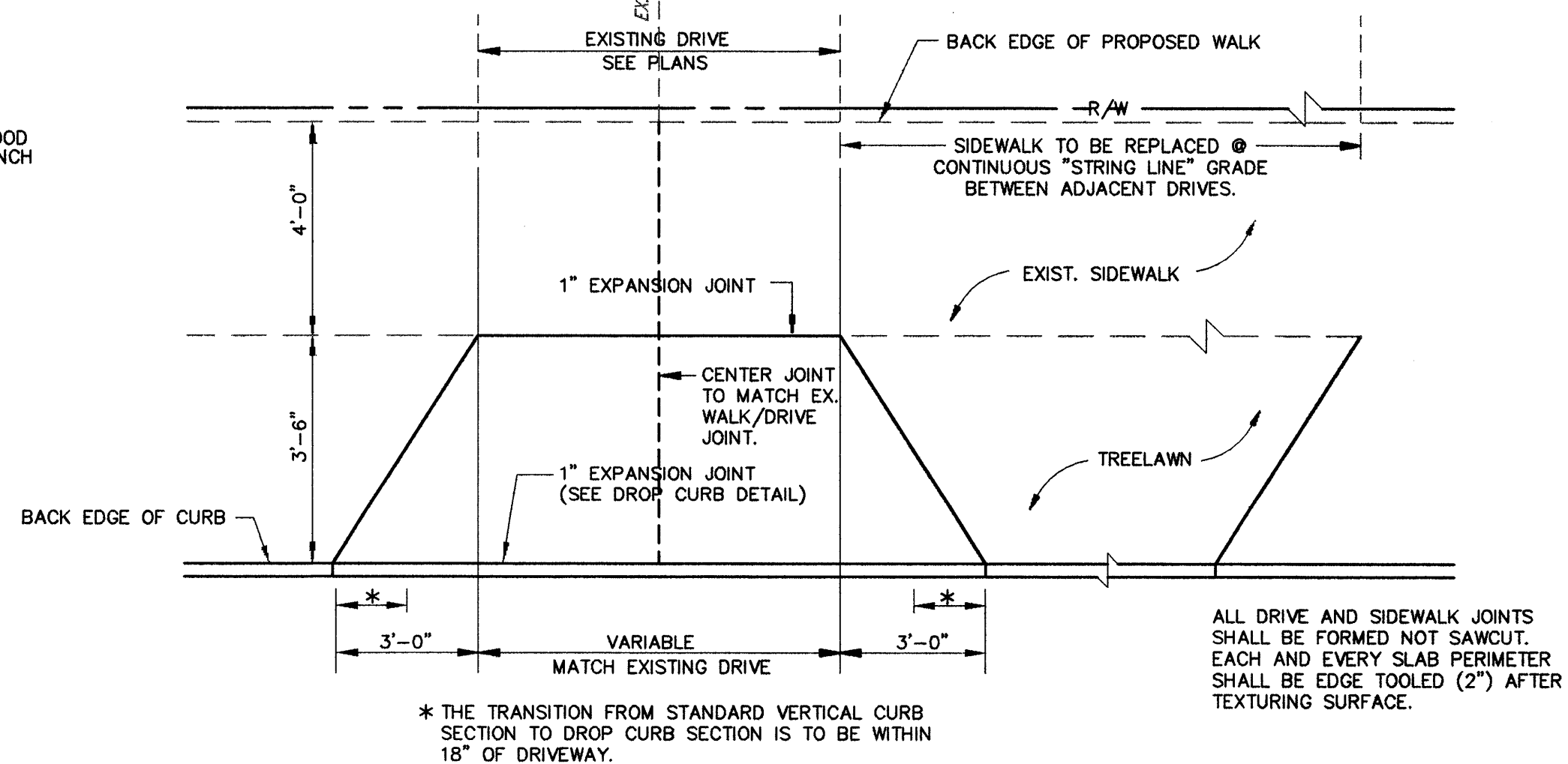
**TYPE 2 - A**  
**CURB DETAIL**  
NOT TO SCALE



**WALK REPLACEMENT DETAIL**  
NOT TO SCALE



**DROP CURB DETAIL AT DRIVEWAY**  
NOT TO SCALE



**DRIVEWAY APPROACH DETAIL**

ALL CONCRETE SHALL BE CLASS MS FOR THIS PROJECT

REV. NO.	DESCRIPTION	DATE	BY	CHK'D.