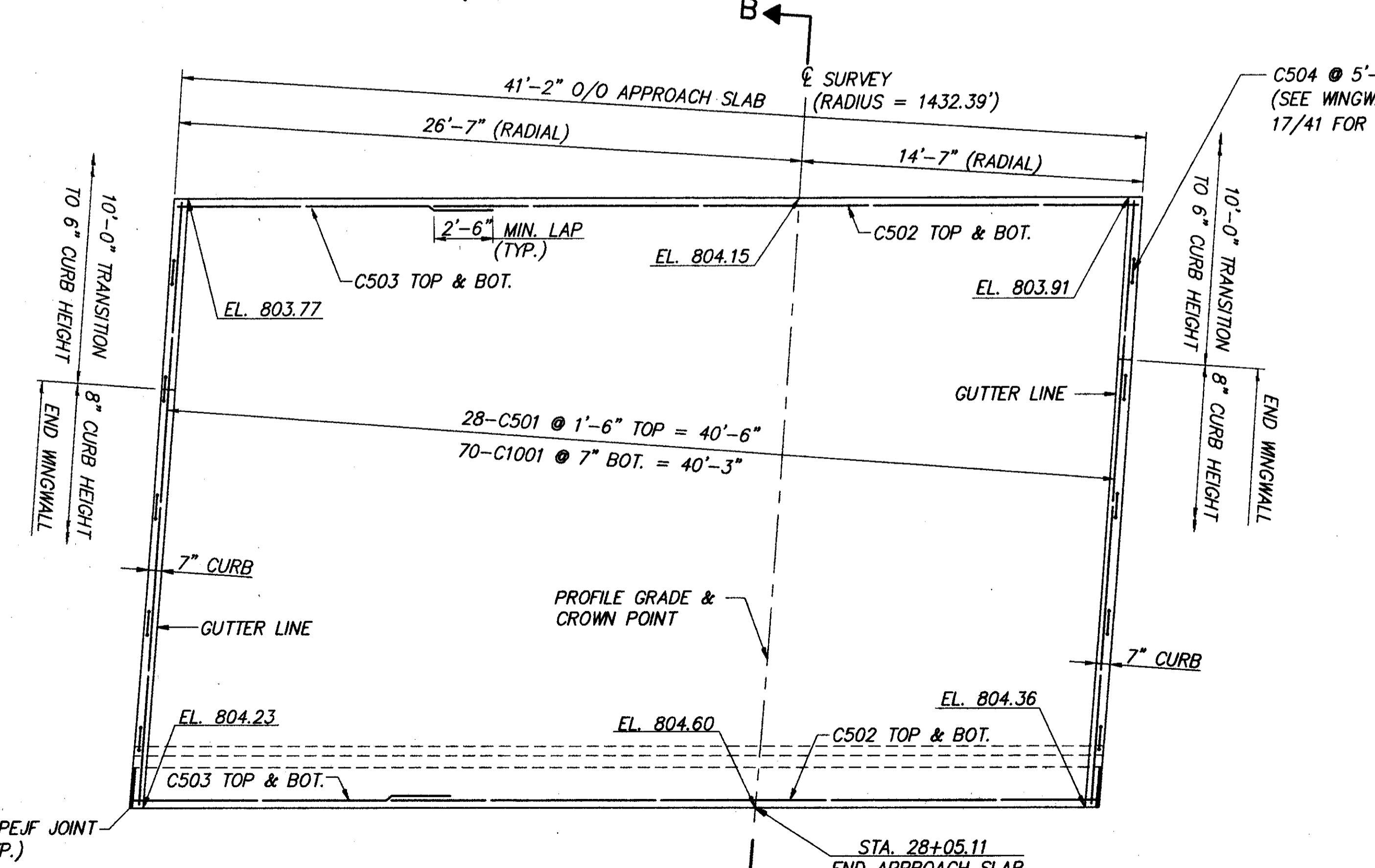
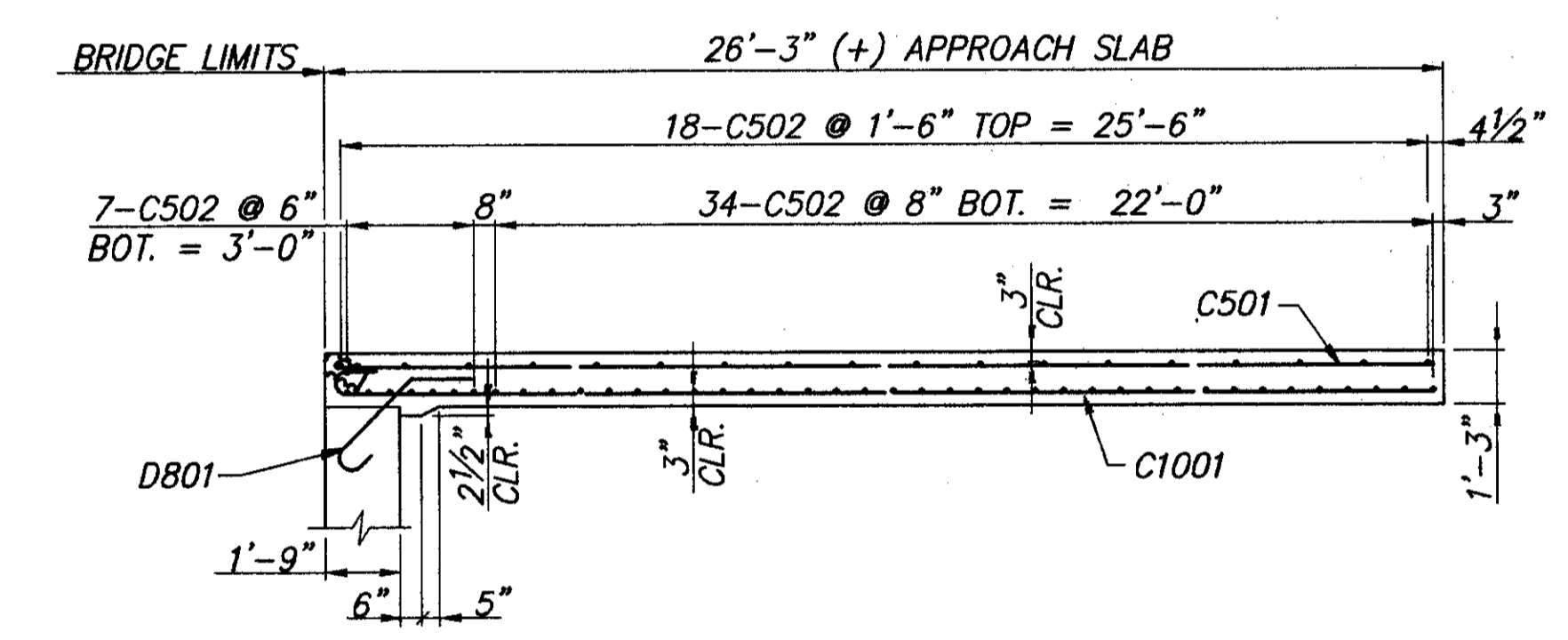


FORWARD APPROACH SLAB PLAN



REAR APPROACH SLAB PLAN



SECTION B-B

- NOTES:
1. SEE ODOT STANDARD DRAWING AS-1-81 FOR ADDITIONAL INFORMATION.
 2. FOR APPROACH SLAB TRANSVERSE SECTION, SEE ROADWAY PLANS.
 3. CONCRETE FOR THE APPROACH SLABS SHALL BE CLASS S CONCRETE.
 4. APPROACH SLABS SHALL BE INCLUDED FOR PAYMENT ONLY IN ITEM 611 - REINFORCED CONCRETE APPROACH SLAB (T=15"), AS PER PLAN. THE ESTIMATED SQUARE YARD QUANTITY IS CARRIED TO THE PAVEMENT SUMMARY SHEET IN THE ROADWAY PLANS.
 5. FOR REAR ABUTMENT PLAN AND DETAILS, SEE SHEETS 16/41 AND 17/41; FOR FORWARD ABUTMENT PLAN AND DETAILS, SEE SHEETS 19/41 AND 20/41.
 6. NOTATION: BOT.-BOTTOM; TYP.-TYPICAL; CLR.-CLEAR; PEJF-PREFORMED EXPANSION JOINT FILLER; MIN.-MINIMUM.

H:\ACT\97125\BRIDGE\9712525.DWG PLOT SCALE 1:48

DESIGNED	R.R.C.	CHECKED	J.P.R.
DRAWN	R.R.C.	REVISION	-
REVIEWED	J.E.A.	DATE	10/26/01
STRUCTURE FILE NUMBER	4304055		