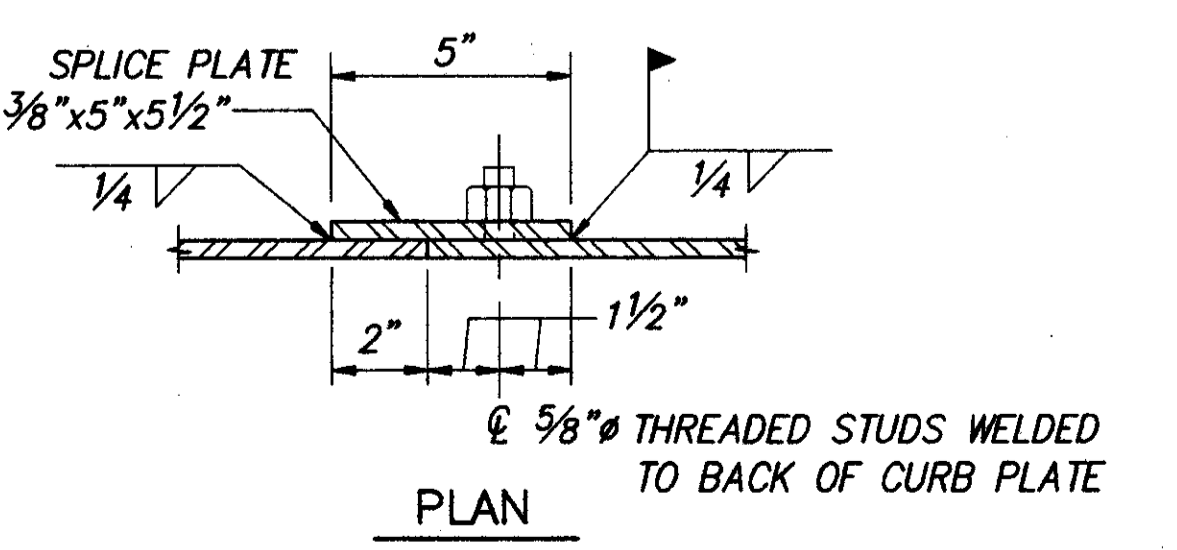
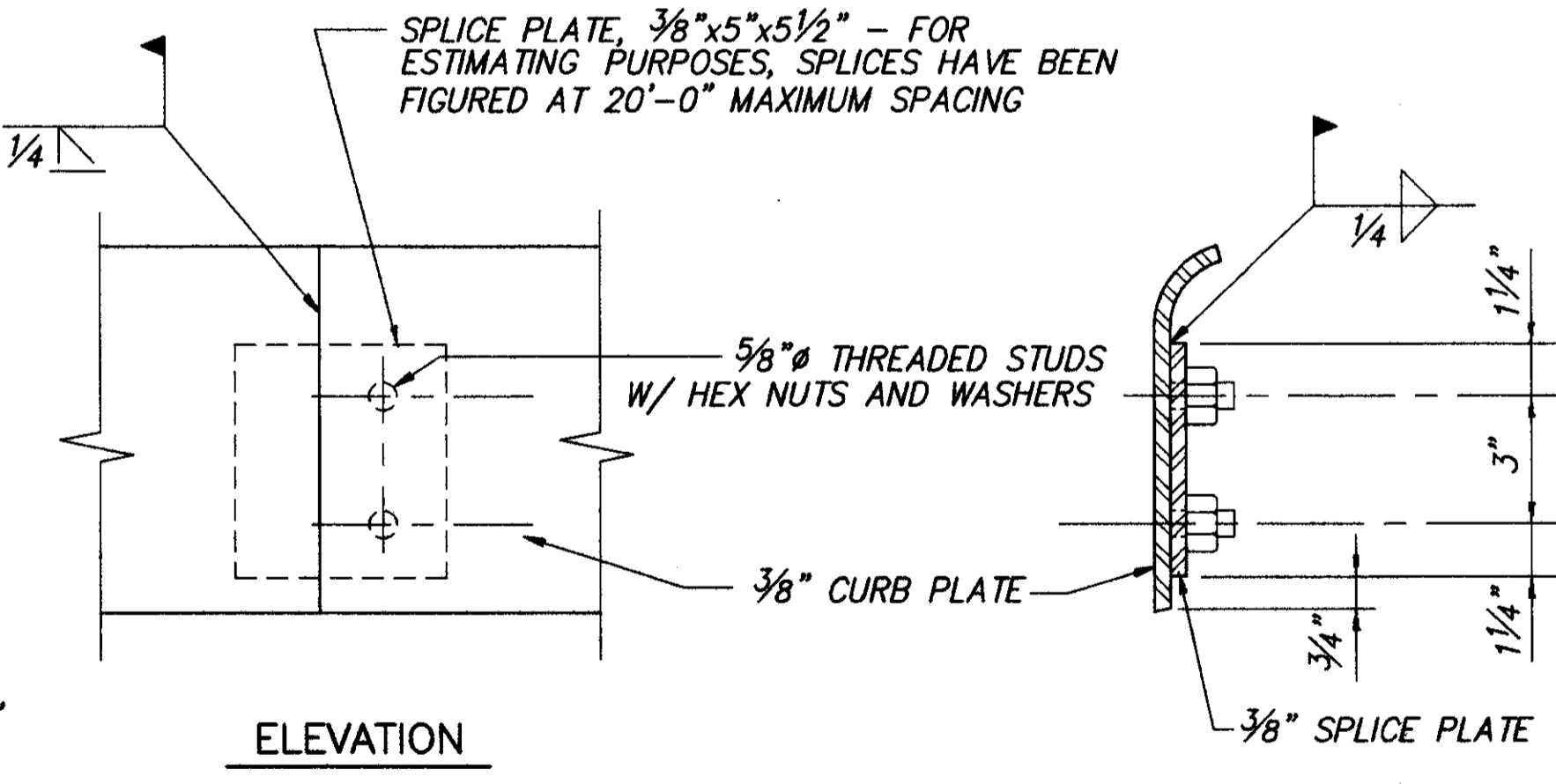
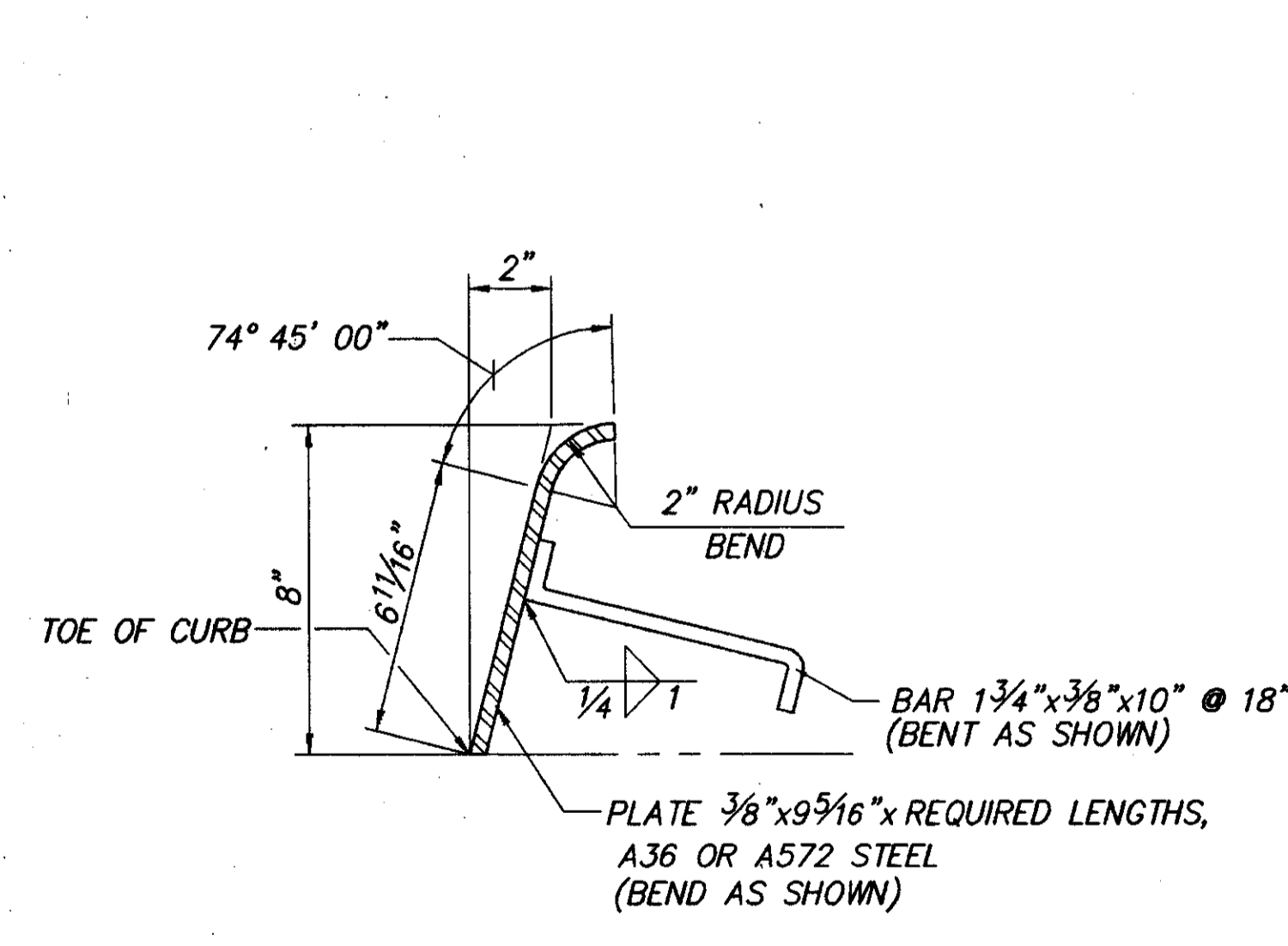
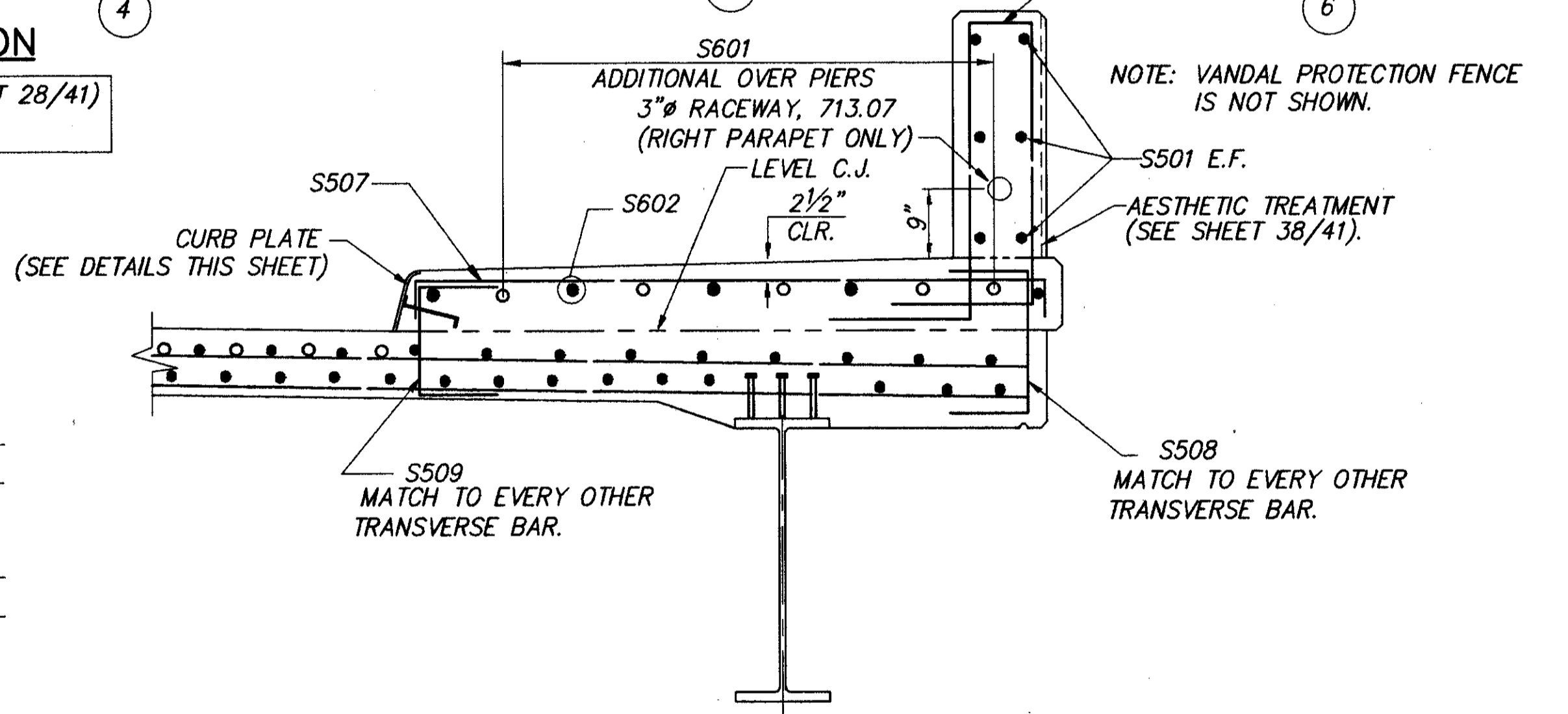
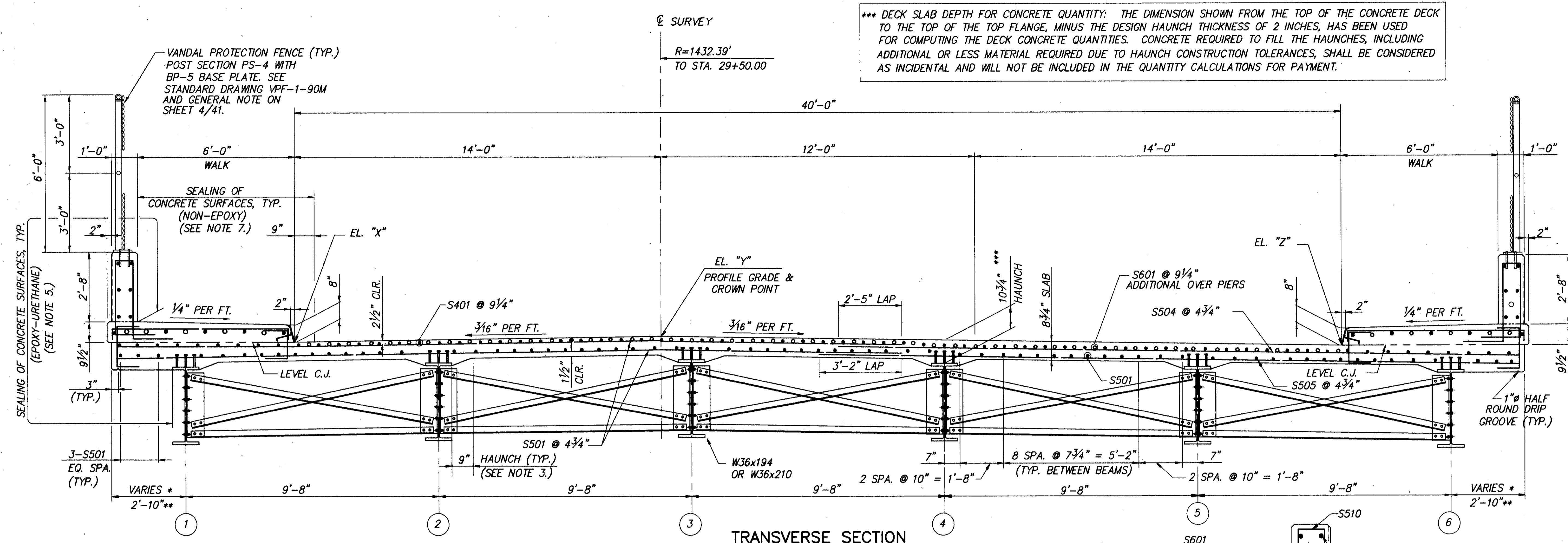


*** DECK SLAB DEPTH FOR CONCRETE QUANTITY: THE DIMENSION SHOWN FROM THE TOP OF THE CONCRETE DECK TO THE TOP OF THE TOP FLANGE, MINUS THE DESIGN HAUNCH THICKNESS OF 2 INCHES, HAS BEEN USED FOR COMPUTING THE DECK CONCRETE QUANTITIES. CONCRETE REQUIRED TO FILL THE HAUNCHES, INCLUDING ADDITIONAL OR LESS MATERIAL REQUIRED DUE TO HAUNCH CONSTRUCTION TOLERANCES, SHALL BE CONSIDERED AS INCIDENTAL AND WILL NOT BE INCLUDED IN THE QUANTITY CALCULATIONS FOR PAYMENT.



CURB PLATE SPLICE DETAILS

- NOTES:
- FOR DECK REINFORCING PLAN, SEE SHEET 34/41.
 - FOR SIDEWALK AND PARAPET PLAN AND PARAPET ELEVATION, SEE SHEET 35/41.
 - A HAUNCH WIDTH OF 9 INCHES SHALL BE USED. HOWEVER, THE HAUNCH WIDTH MAY VARY BETWEEN 6 INCHES AND 12 INCHES.
 - THE ESTIMATED QUANTITY OF 3" RACEWAY IS CARRIED TO THE GENERAL SUMMARY SHEET.
 - THE SECOND SEALING COAT ONLY SHALL BE TINTED TO FEDERAL COLOR STANDARD 595B-25630 SEMI-GLOSS.
 - FOR DECK SCREED TABLE, SEE SHEET 33/41.
 - TINT TO FEDERAL COLOR STANDARD 595B-25630 SEMI-GLOSS.
 - NOTATION: TYP.-TYPICAL; C.J.-CONSTRUCTION JOINT; E.F.-EACH FACE; STA.-STATION; CLR.-CLEAR; EQ. SPA.-EQUALLY SPACED; SPA.-SPACES.

H:\CT\97125\BRIDGE\9712502.DWG - PLOT SCALE 1:24