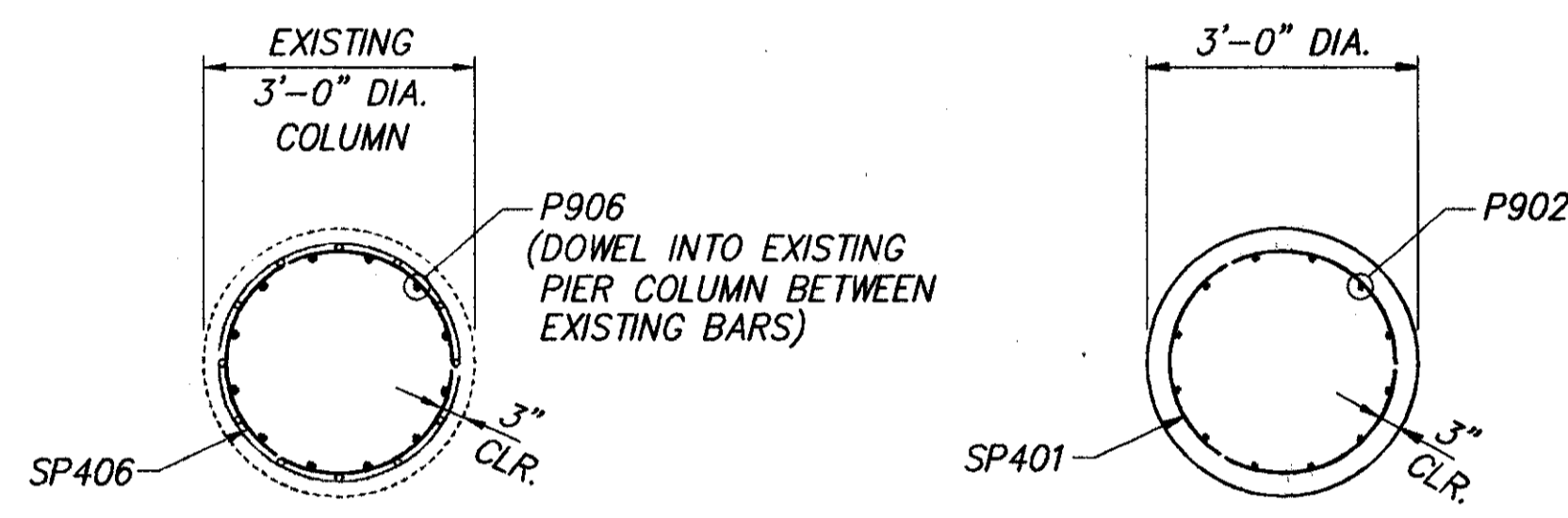
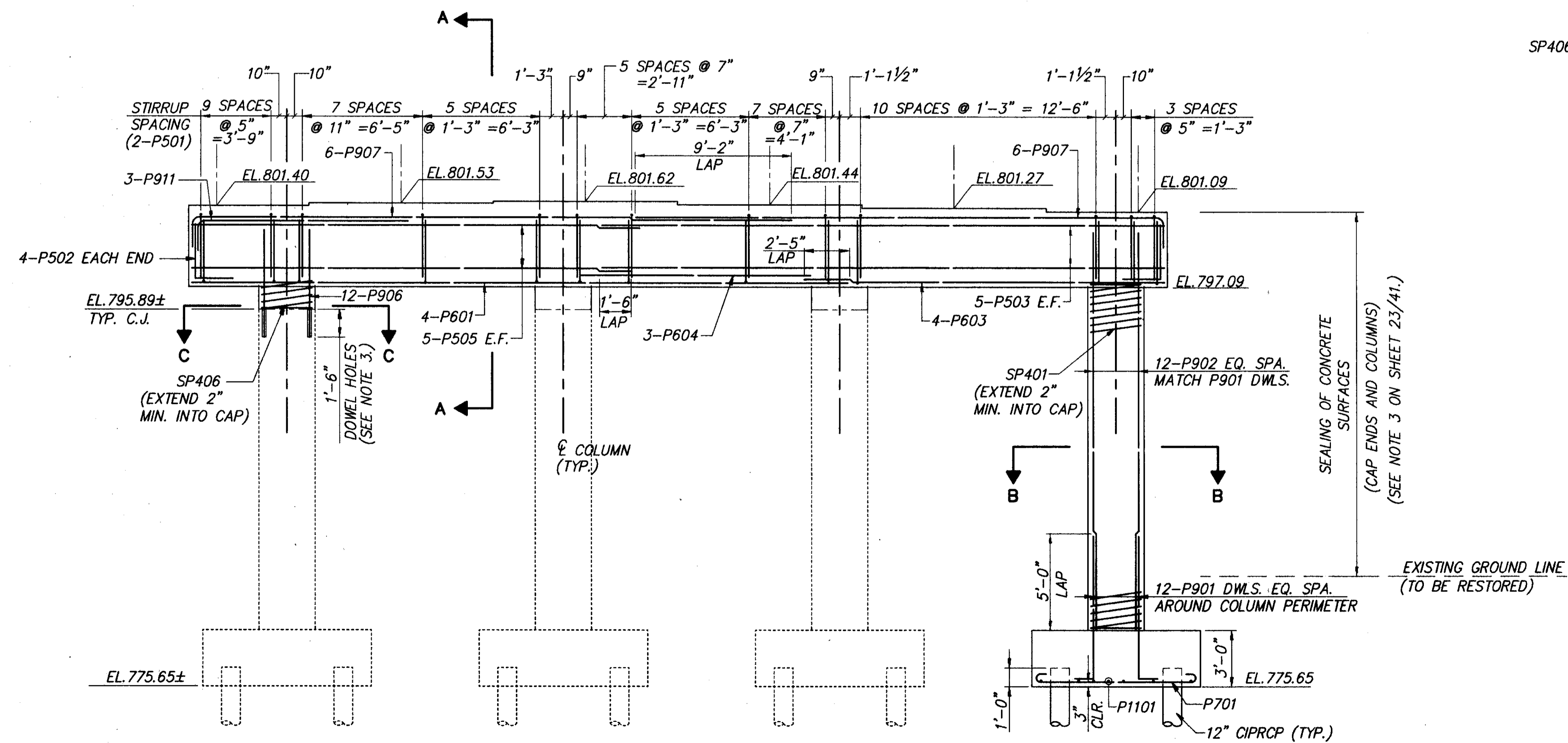


PIER 4 PLAN



SECTION C-C
(TYPICAL FOR THREE)

SECTION B-B



PIER 4 ELEVATION

- NOTES:**
1. FOR PROPOSED PIER FOOTING PLAN AND SECTION A-A, SEE SHEET 23/41.
 2. FOR PILE LAY-OUT PLAN, SEE SHEET 14/41.
 3. FOR DOWEL HOLES INSTALLATION AND PAYMENT INFORMATION, SEE GENERAL NOTE ON SHEET 4/41.
 4. FOR ELASTOMERIC BEARING DETAILS, SEE SHEET 36/41.
 5. NOTATION: TYP.-TYPICAL; MIN.-MINIMUM; CLR.-CLEAR; EL.-ELEVATION; E.F.- EACH FACE; BRG.-BEARING; C.J.-CONSTRUCTION JOINT; DIA.-DIAMETER; CIPRCP-CAST-IN-PLACE REINFORCED CONCRETE PILE; EQ. SPA.-EQUALLY SPACED; DWLS.-DOWELS.

H:\CT\97125\BRIDGE\9712510.DWG PLOT SCALE 1:48

DATE	10/26/01
REVIEWED	J.E.A. 10/26/01
STRUCTURE FILE NUMBER	4304055
DRAWN	R.L.B.
CHECKED	J.P.R.
DESIGNED	J.A.S.