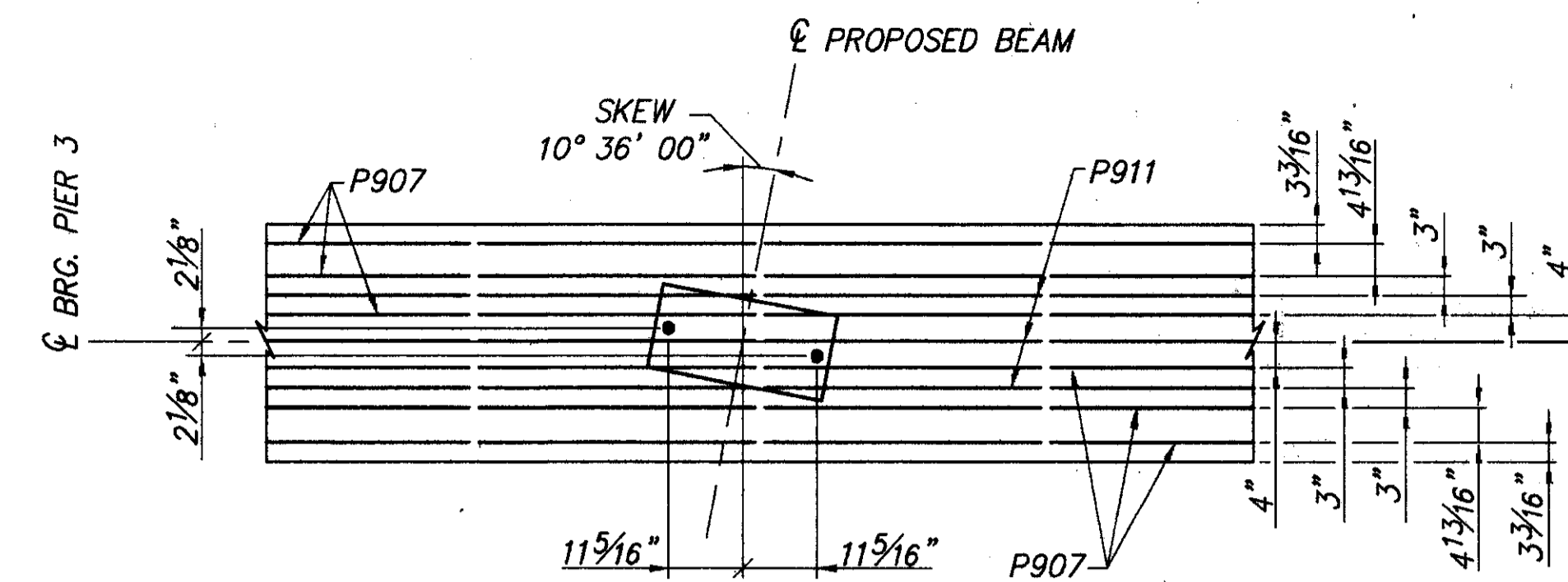


PIER 3 PLAN

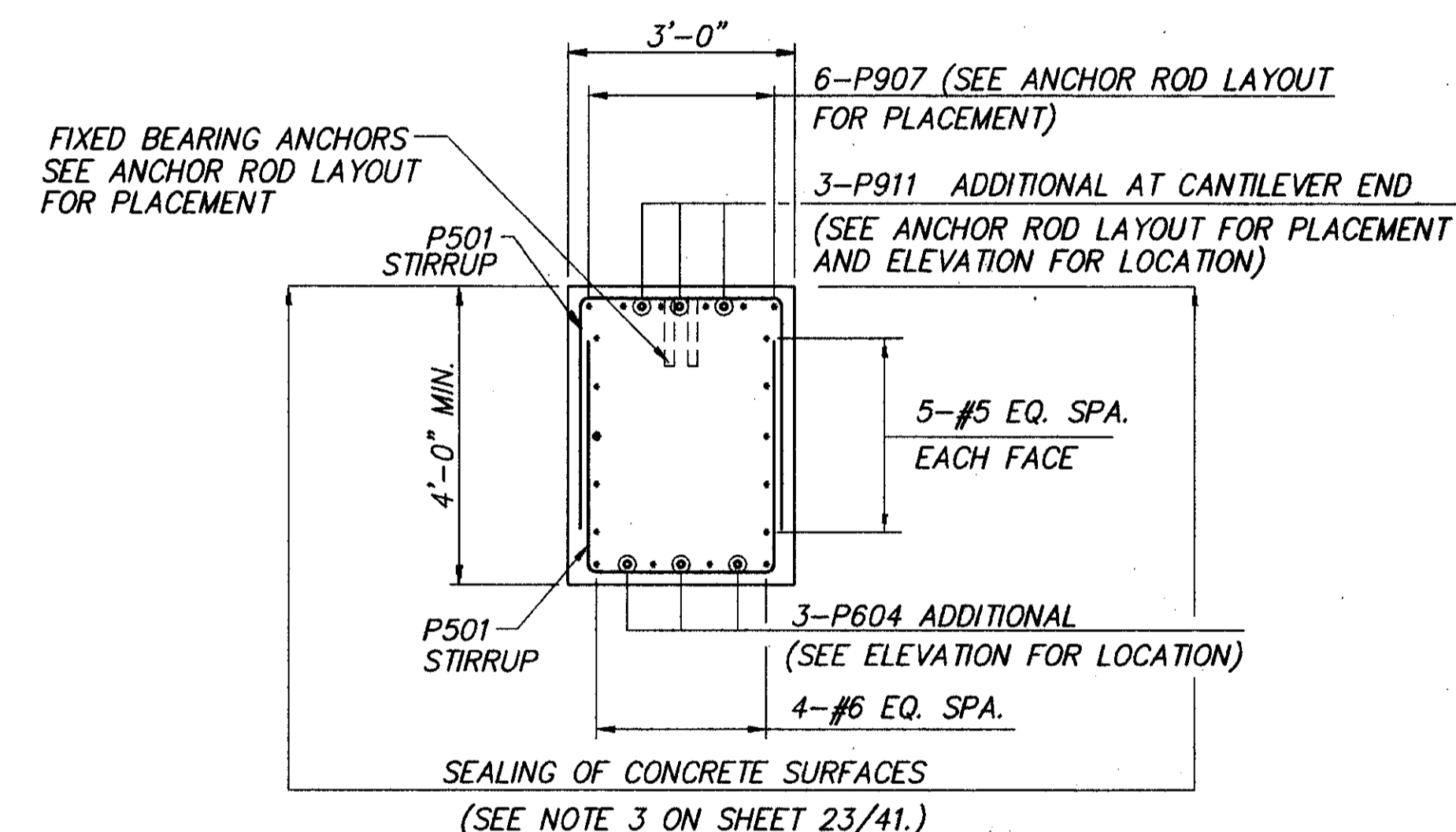


TYPICAL ANCHOR ROD LAYOUT

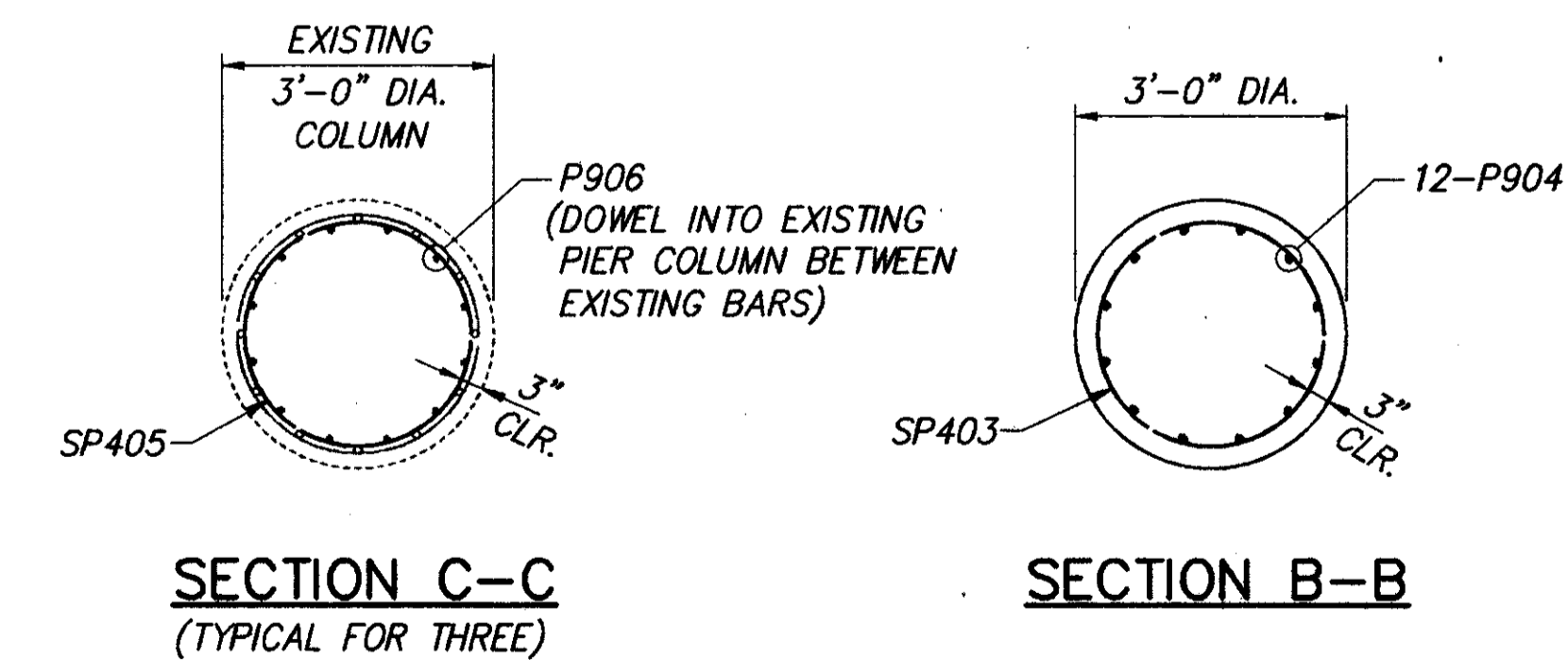
BRIDGE SEAT REINFORCING, SETTING ANCHORS:

REINFORCING STEEL IN THE VICINITY OF THE BRIDGE SEAT SHALL BE ACCURATELY PLACED TO AVOID INTERFERENCE WITH THE DRILLING OF BEARING ANCHOR HOLES, OR THE PRESETTING OF THE BEARING ANCHORS.

PROPOSED PIER FOOTING (SEE NOTE 1.)

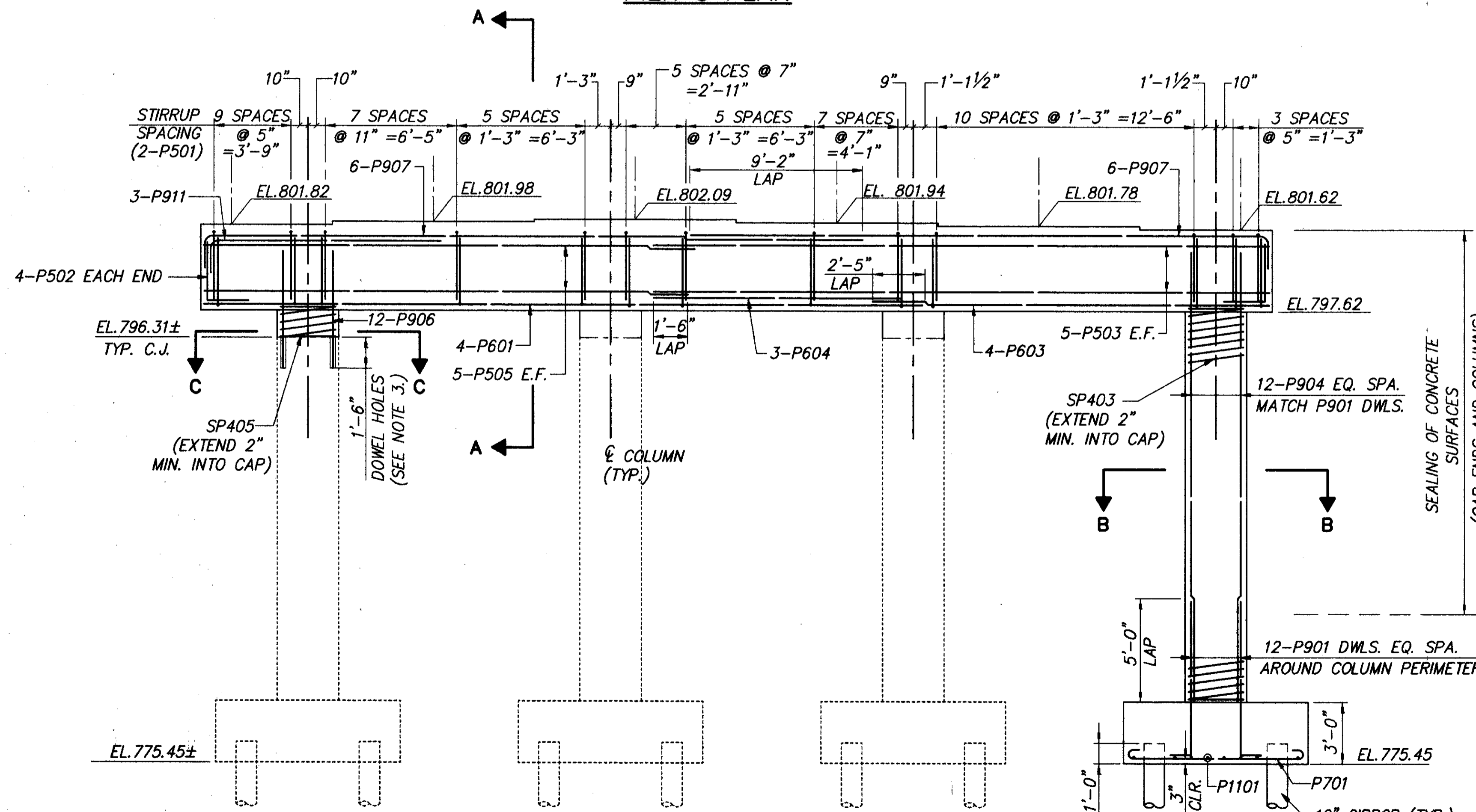


SECTION A-A



SECTION C-C (TYPICAL FOR THREE)

SECTION B-B



PIER 3 ELEVATION

NOTES:

1. FOR PROPOSED PIER FOOTING PLAN, SEE SHEET 23/41.
2. FOR PILE LAY-OUT PLAN, SEE SHEET 14/41.
3. FOR DOWEL HOLES INSTALLATION AND PAYMENT INFORMATION, SEE GENERAL NOTE ON SHEET 4/41.
4. FOR ELASTOMERIC BEARING DETAILS, SEE SHEET 36/41.
5. NOTATION: TYP.-TYPICAL; MIN.-MINIMUM; CLR.-CLEAR; EL.-ELEVATION; E.F.- EACH FACE; BRG.-BEARING; C.J.-CONSTRUCTION JOINT; DIA.-DIAMETER; CIPRCP-CAST-IN-PLACE REINFORCED CONCRETE PILE; EQ. SPA.-EQUALLY SPACED; DWLS.-DOWELS.

H:\CT\97125\BRIDGE\9712510.DWG PLOT SCALE 1:48