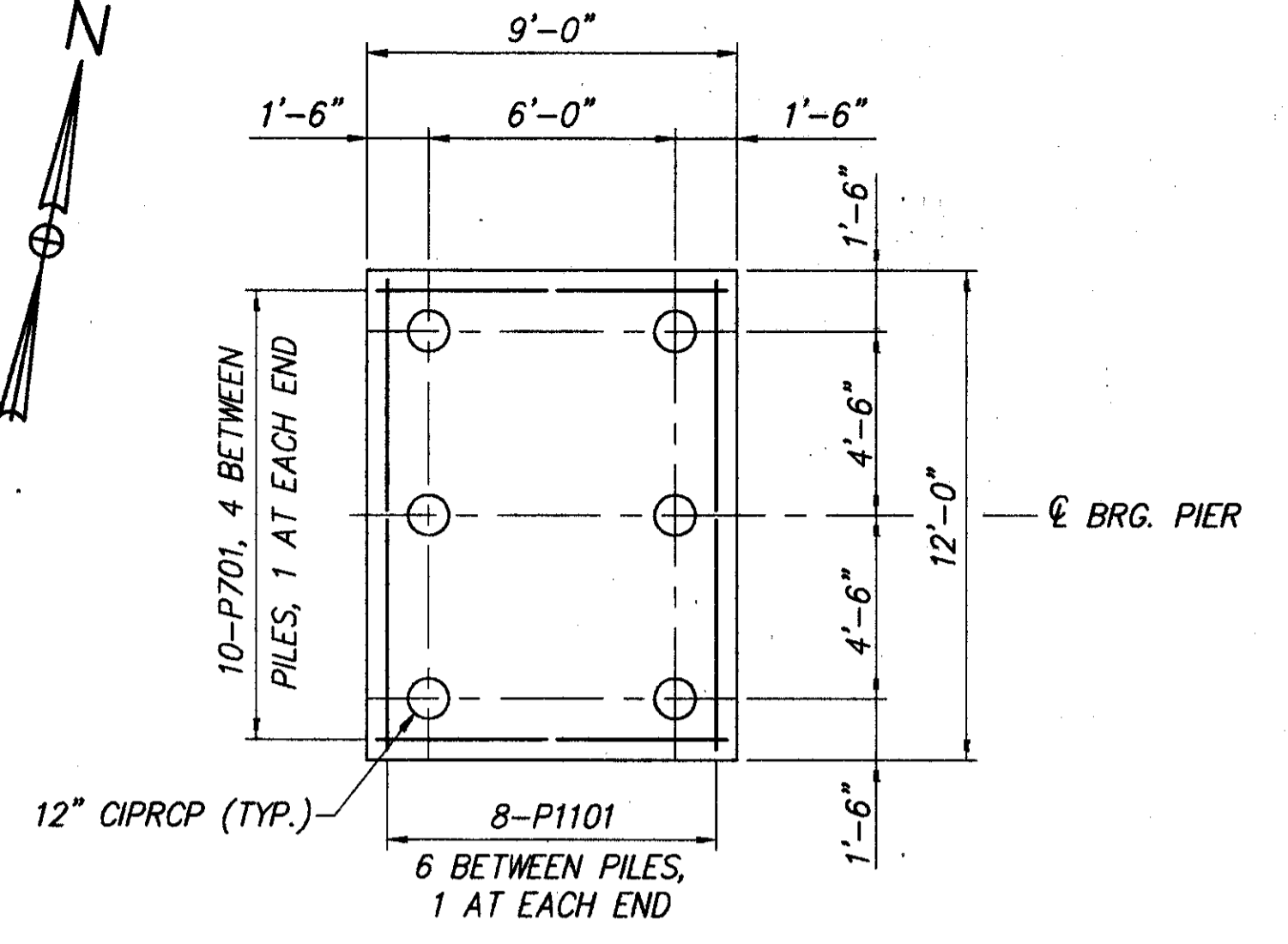
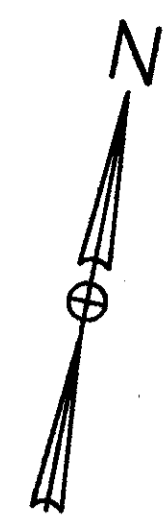


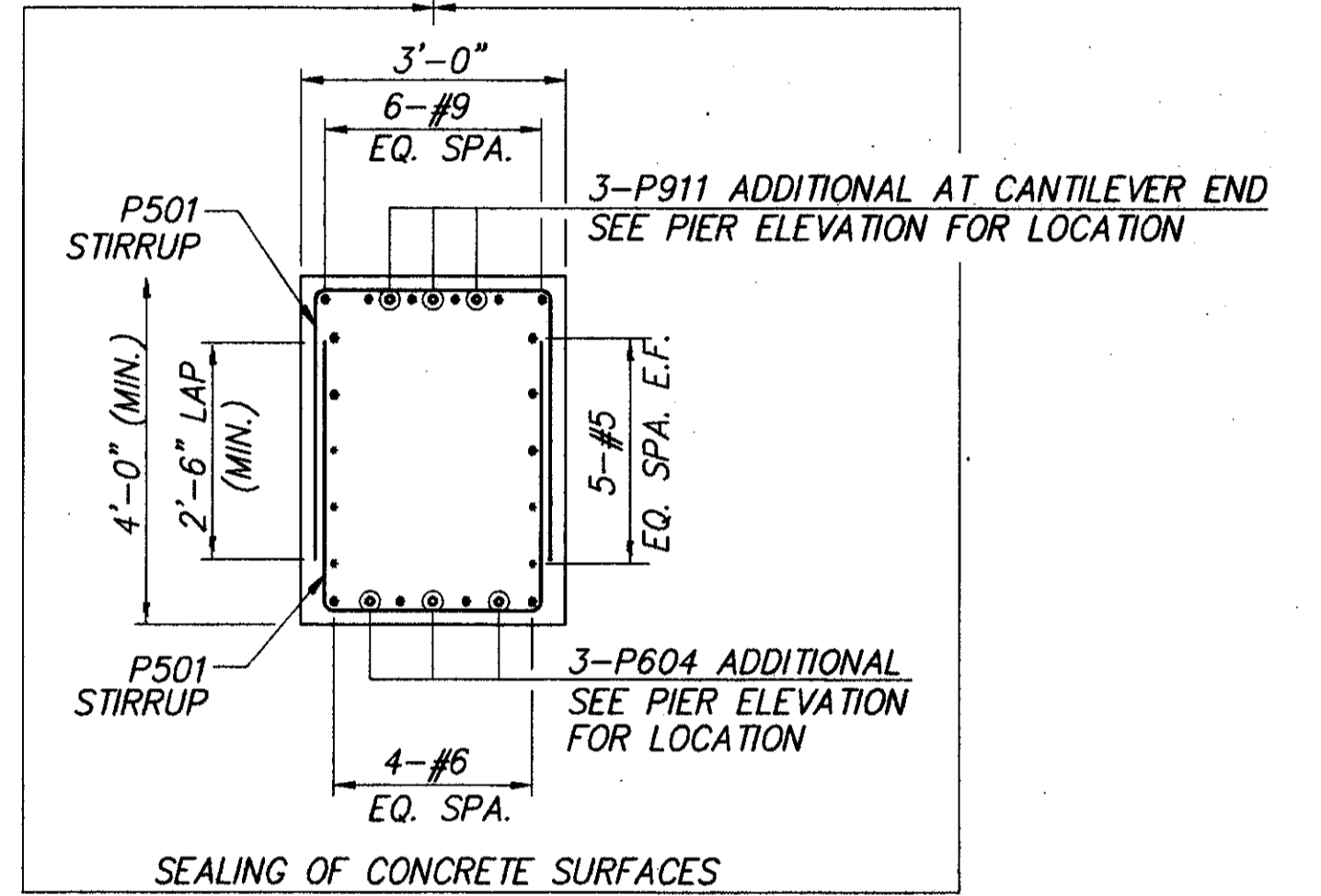
PIER 1 PLAN

* - FOR REFERENCE LINE DIAGRAM, SEE SHEET 2/41.

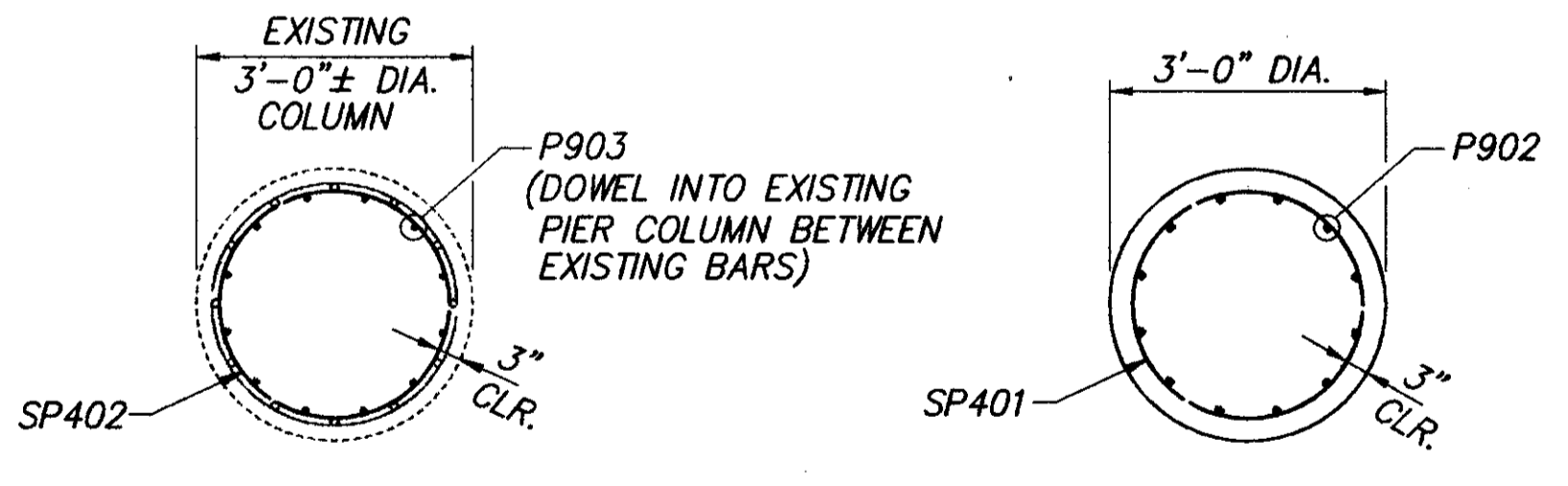


PIER FOOTING PLAN

(TYPICAL ALL NEW PIER COLUMNS)



SECTION A-A

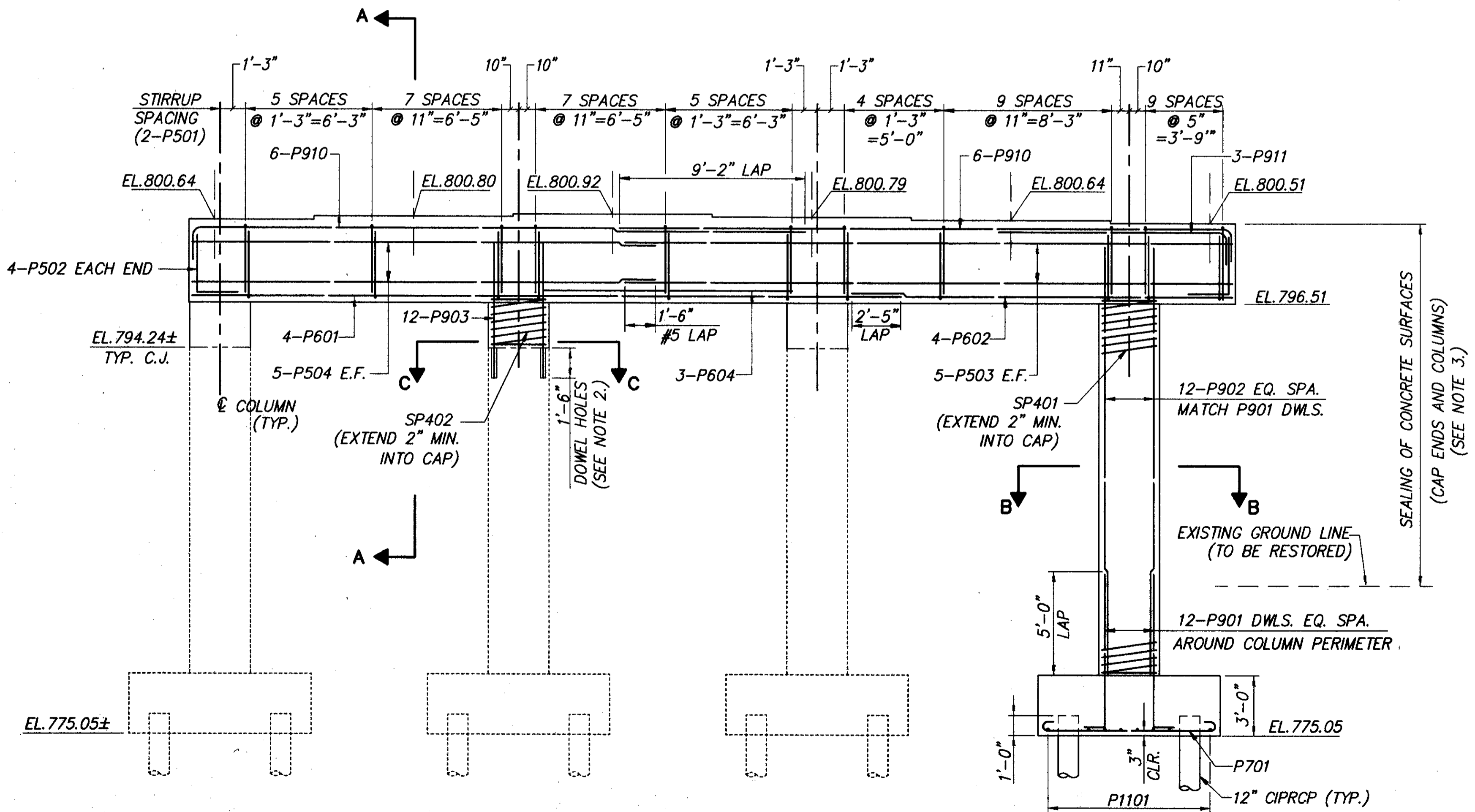


SECTION C-C

(TYPICAL FOR THREE)

SECTION B-B

- NOTES:
1. FOR PILE LAY-OUT PLAN, SEE SHEET 14/41.
 2. FOR DOWEL HOLES INSTALLATION AND PAYMENT INFORMATION, SEE GENERAL NOTE ON SHEET 4/41.
 3. SEAL ALL EXPOSED SURFACES INDICATED WITH EPOXY-URETHANE. THE SECOND SEALING COAT ONLY SHALL BE TINTED TO FEDERAL COLOR STANDARD 595B-25630 SEMI-GLOSS.
 4. FOR ELASTOMERIC BEARING DETAILS, SEE SHEET 36/41.
 5. NOTATION: TYP.-TYPICAL; MIN.-MINIMUM; CLR.-CLEAR; DWLS.-DOWELS; EL.-ELEVATION; E.F.-EACH FACE; EQ. SPA.-EQUALLY SPACED; C.J.-CONSTRUCTION JOINT; DIA.- DIAMETER; BOT.-BOTTOM; CIPRCP-CAST-IN-PLACE REINFORCED CONCRETE PILE.



PIER 1 ELEVATION

H:\CT\97125 BRIDGE\97125.DWG PLOT SCALE 1:48

CT Consultants
Engineers • Architects • Planners

DATE	10/26/01
REVIEWED	J.E.A.
DRAWN	R.L.B.
DESIGNED	I.A.S.
CHECKED	J.P.R.
STRUCTURE FILE NUMBER	4304055
REVISED	-

PIER 1 PLAN AND ELEVATION
BRIDGE NO. LAK-90-0945
S.R. 615 OVER INTERSTATE 90

LAK-IR90/SR615-9.26/1.51

23 / 41

350
393