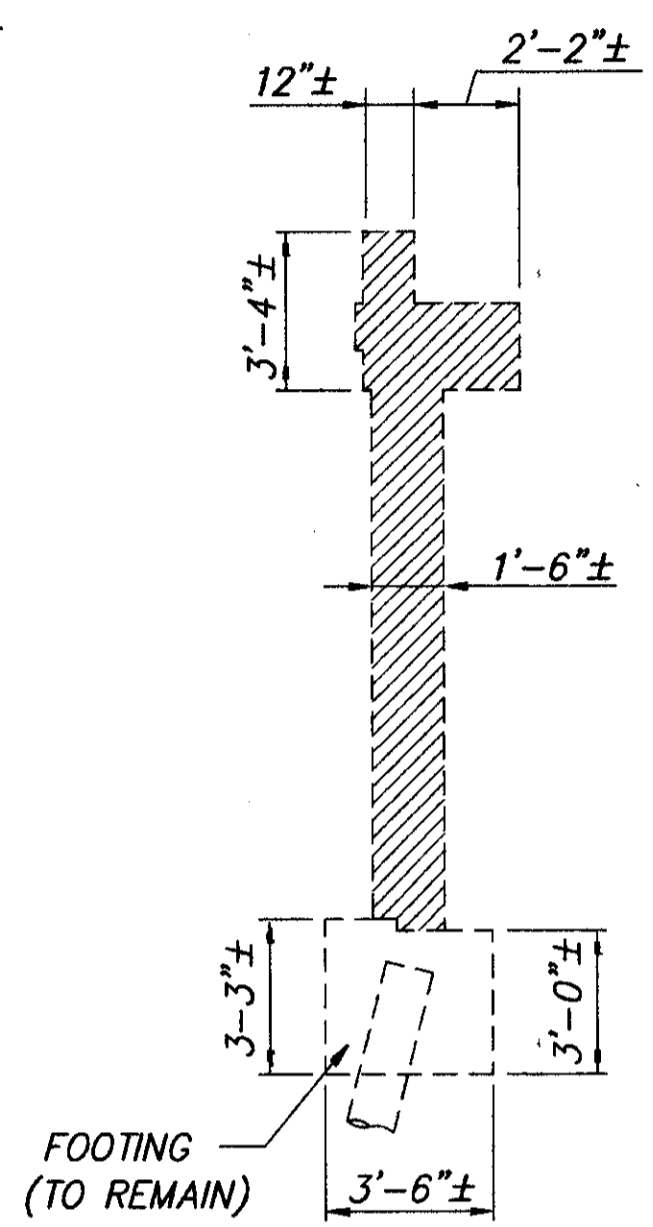
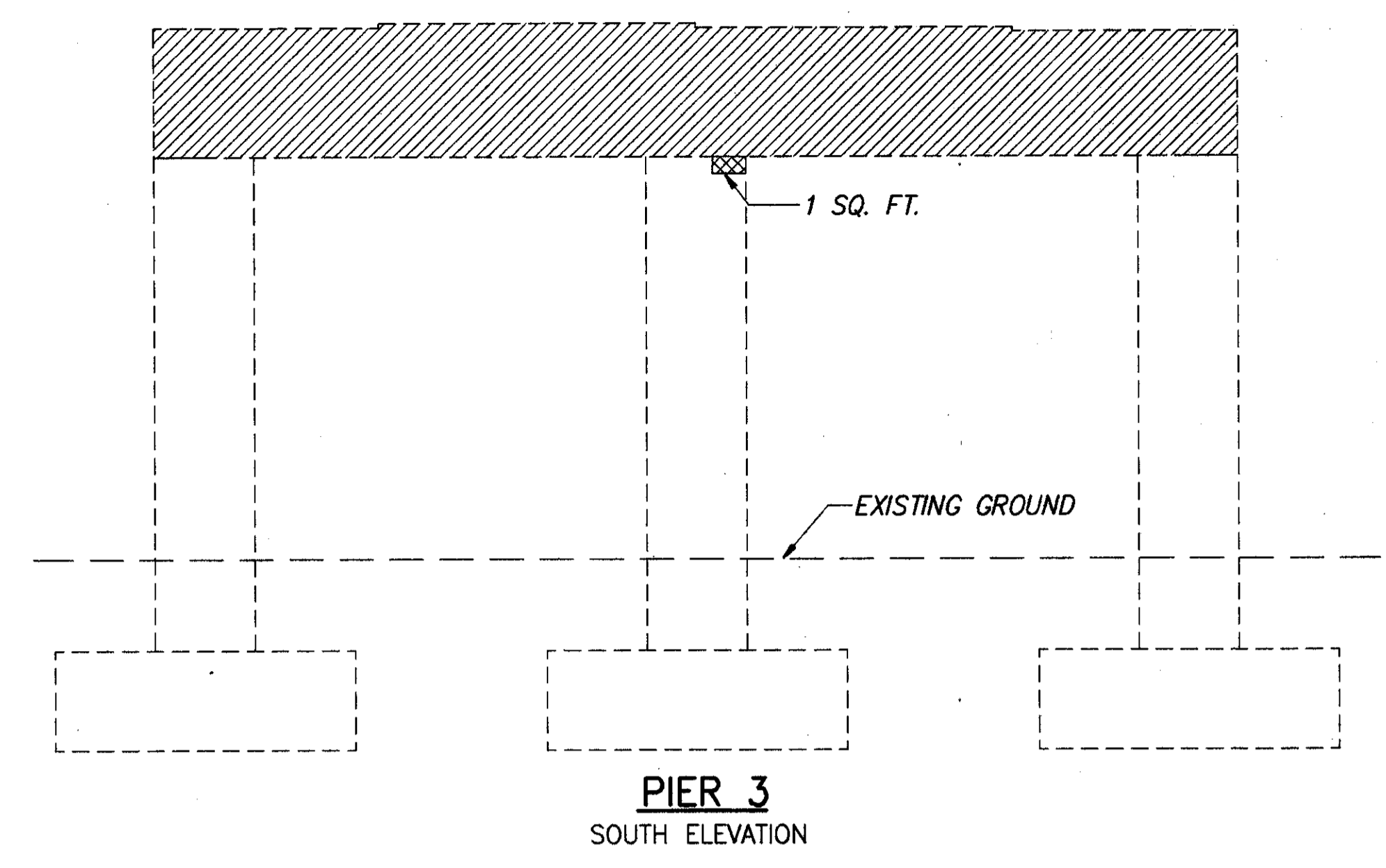


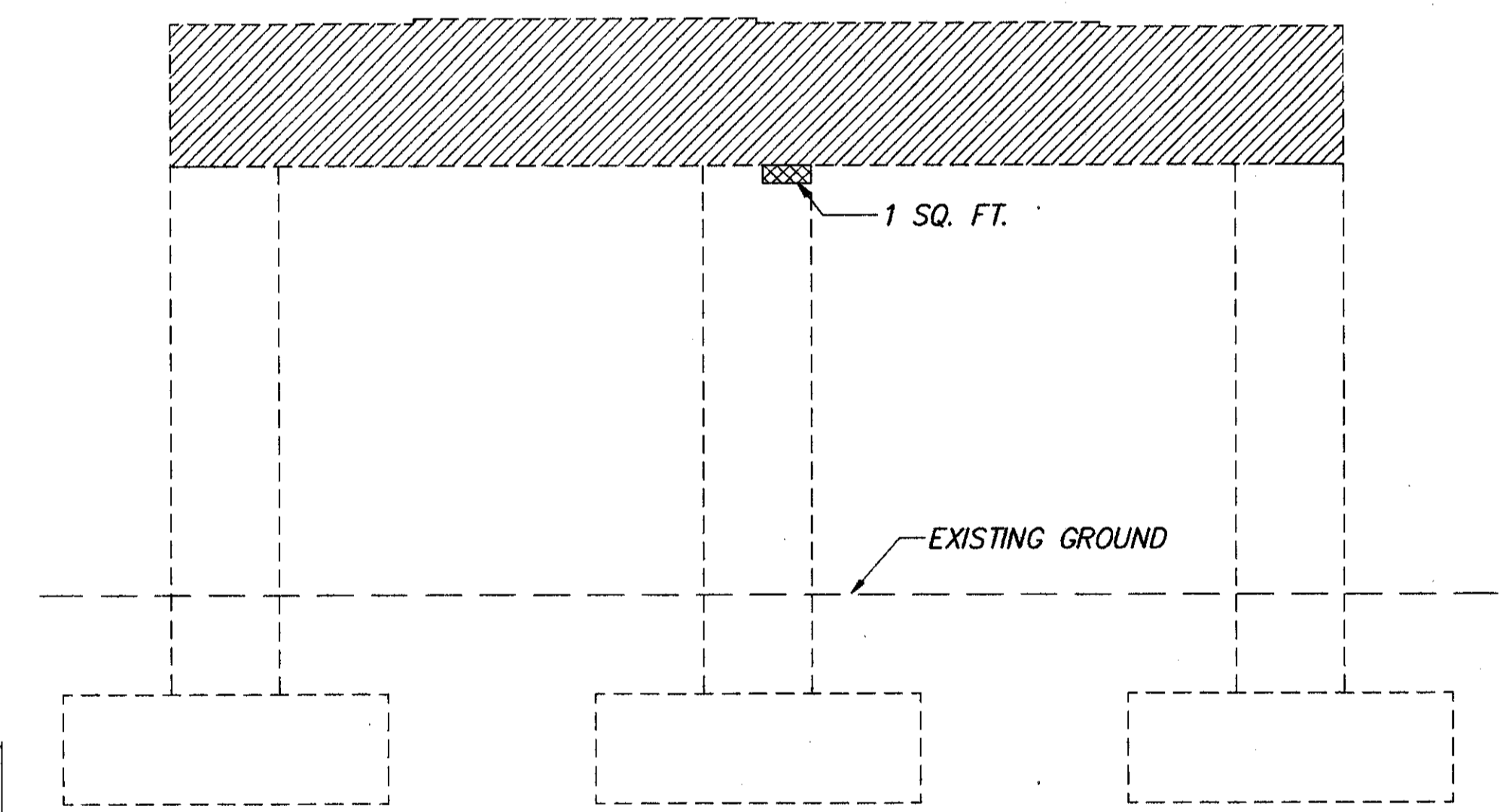
TRANSVERSE SECTION AT PIERS
(TYPICAL REMOVAL)



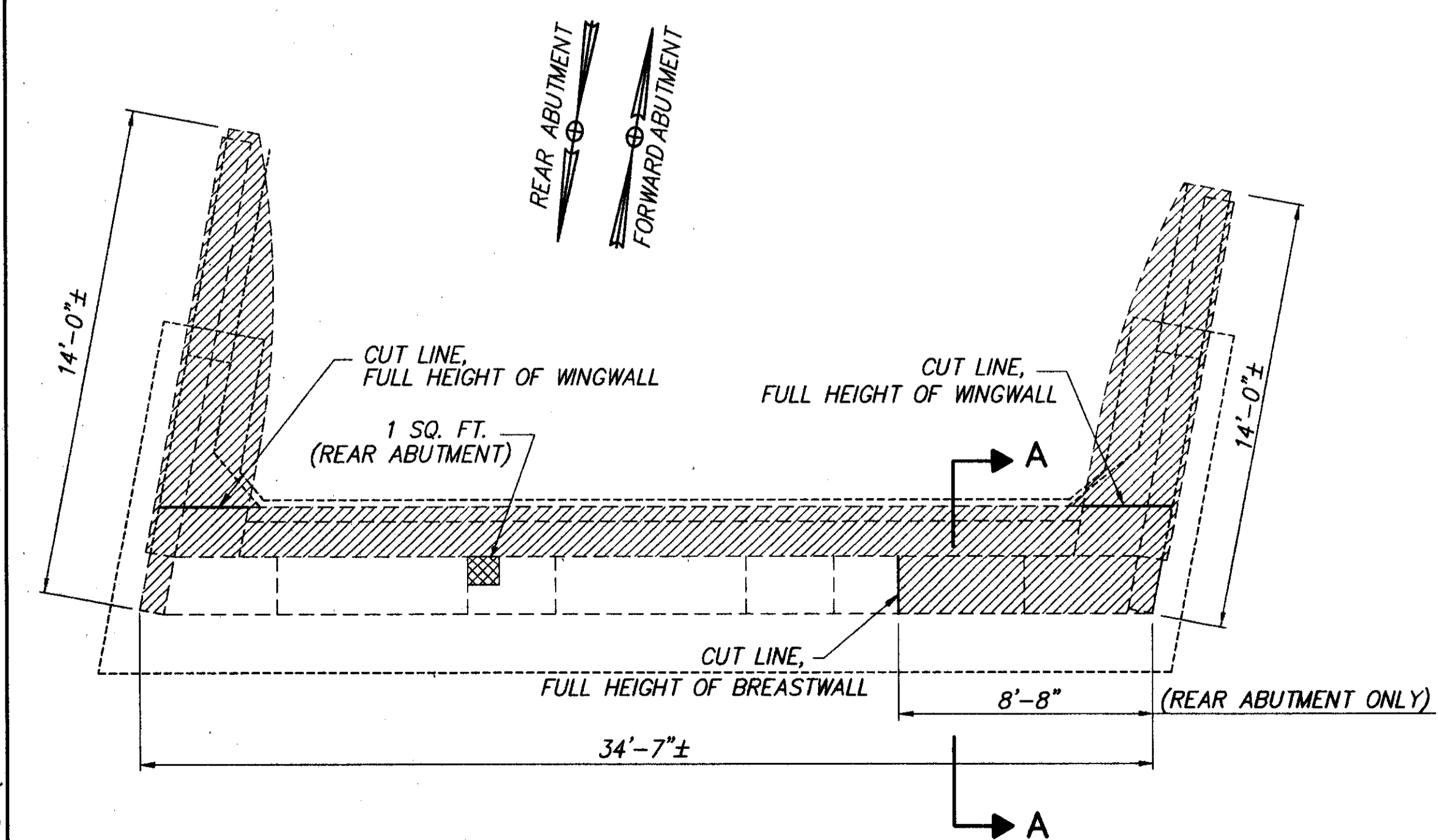
TYPICAL WINGWALL SECTION



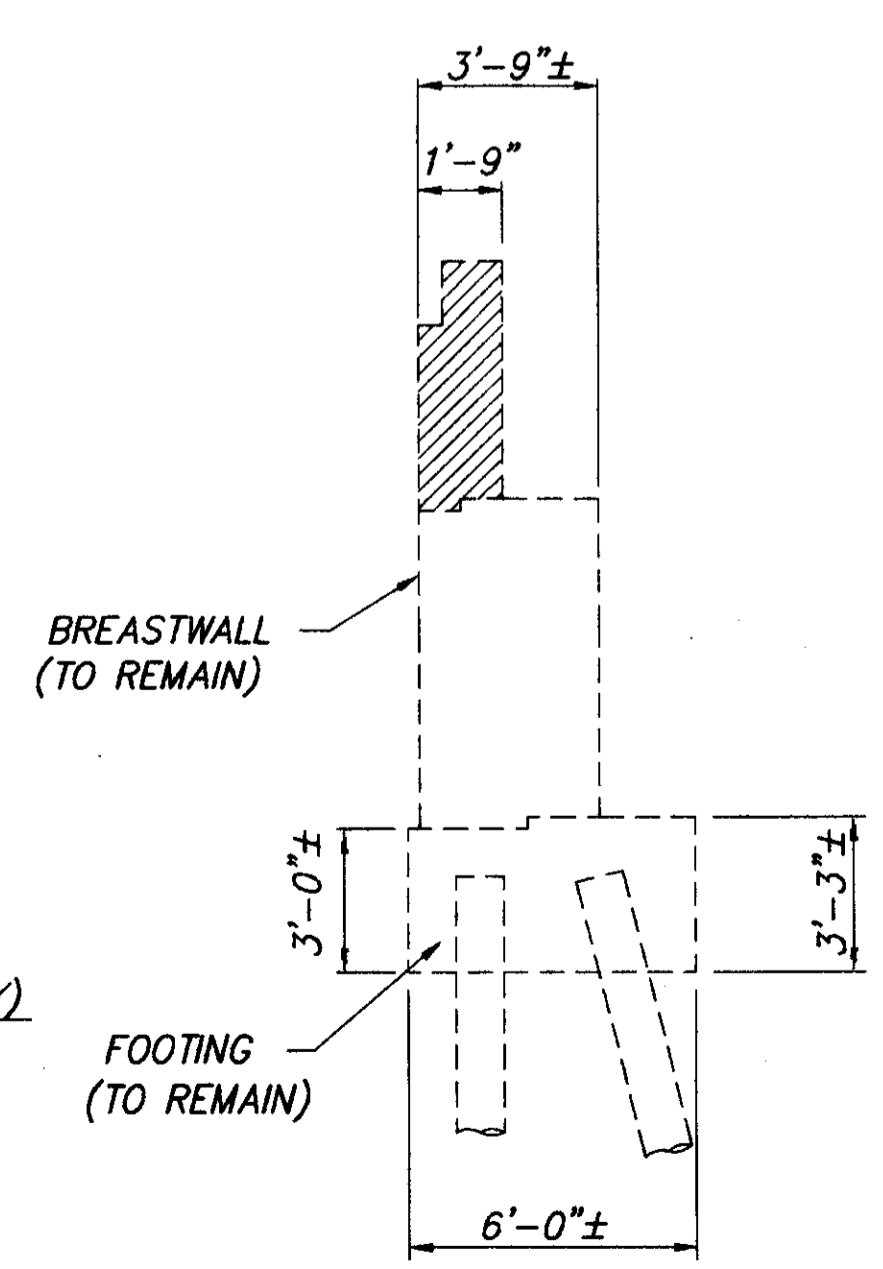
PIER 3
SOUTH ELEVATION



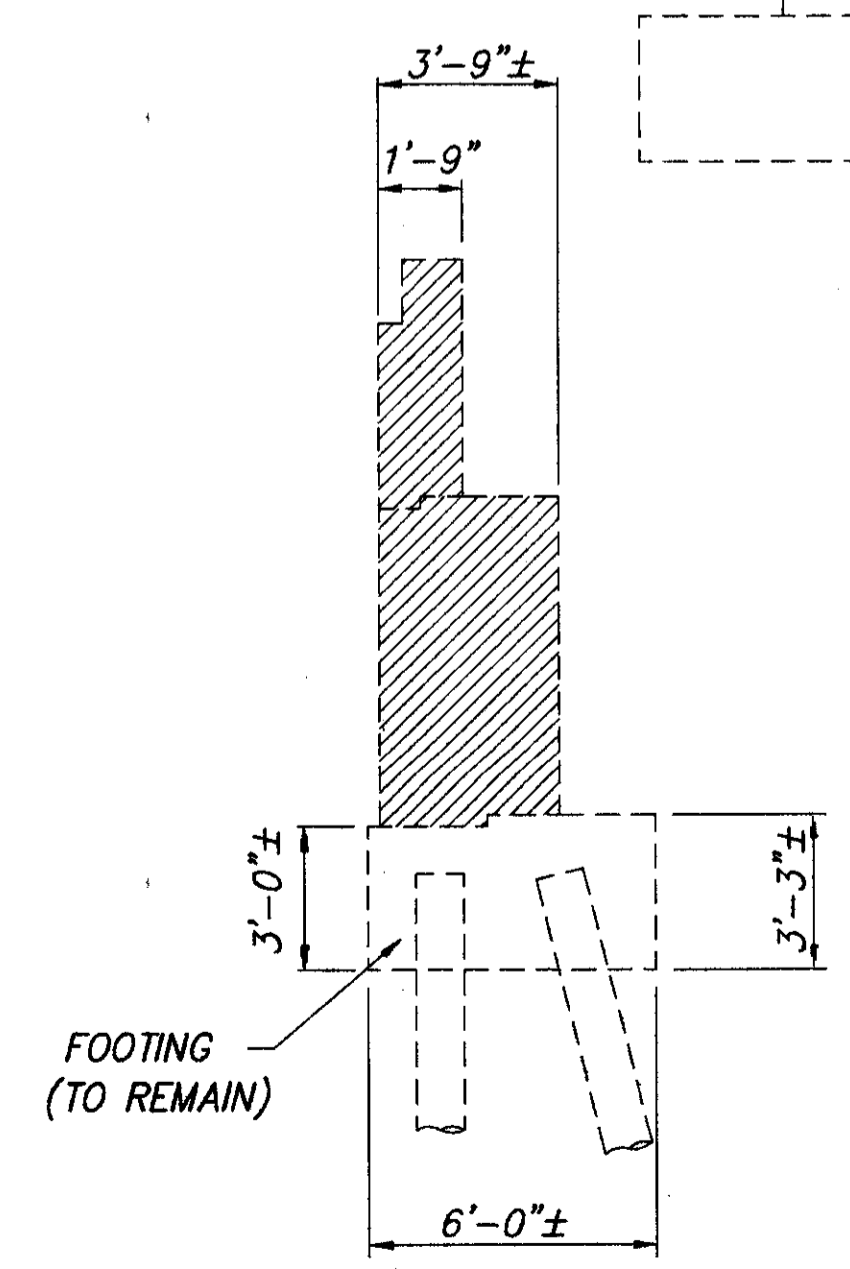
PIER 2
NORTH ELEVATION



TYPICAL ABUTMENT PLAN



TYPICAL ABUTMENT SECTION



SECTION A-A
(PART OF REAR ABUTMENT ONLY)

LEGEND:

- INDICATES PORTIONS OF STRUCTURES TO BE REMOVED PER ITEM 202.
- EXISTING AREAS TO BE REPAIRED USING ITEM 843 - PATCHING CONCRETE STRUCTURES WITH TROWELABLE MORTAR.

NOTES:

- ITEM 843- PATCHING CONCRETE STRUCTURES: PHYSICAL INVENTORY OF MEASURED QUANTITIES OF DETERIORATION WAS PERFORMED IN APRIL 2001. ESTIMATED QUANTITIES HAVE BEEN INCREASED BY 50% OVER MEASURED QUANTITIES TO ALLOW FOR ADDITIONAL DETERIORATION. EXACT DIMENSIONS AND LOCATIONS OF PATCHES SHALL BE DETERMINED BY THE ENGINEER IN THE FIELD FOR FINAL PAY QUANTITIES.
- SEE "PORTIONS OF STRUCTURE REMOVED, OVER 20 FOOT SPAN, AS PER PLAN" GENERAL NOTE FOR ADDITIONAL INFORMATION.
- NOTATION: C.J.-CONSTRUCTION JOINT; TYP.-TYPICAL; SQ.FT.- SQUARE FOOT.

H:\CT\97125\BRIDGE\971251.DWG PLOT SCALE 1:48