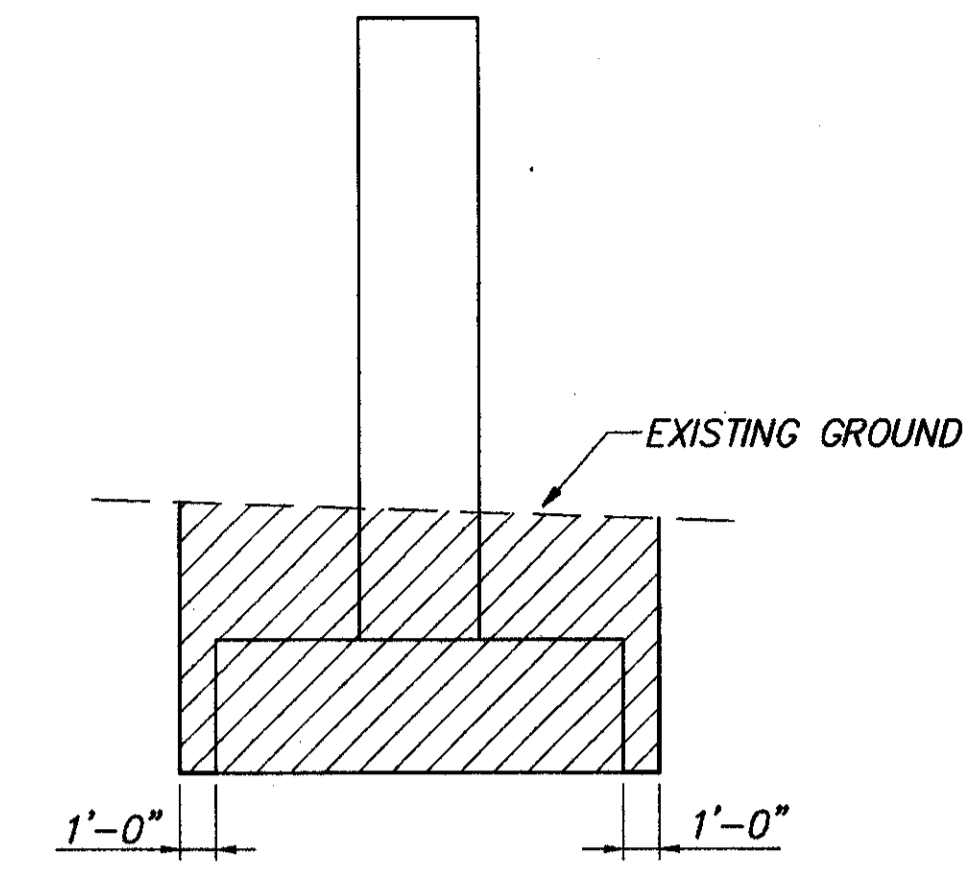
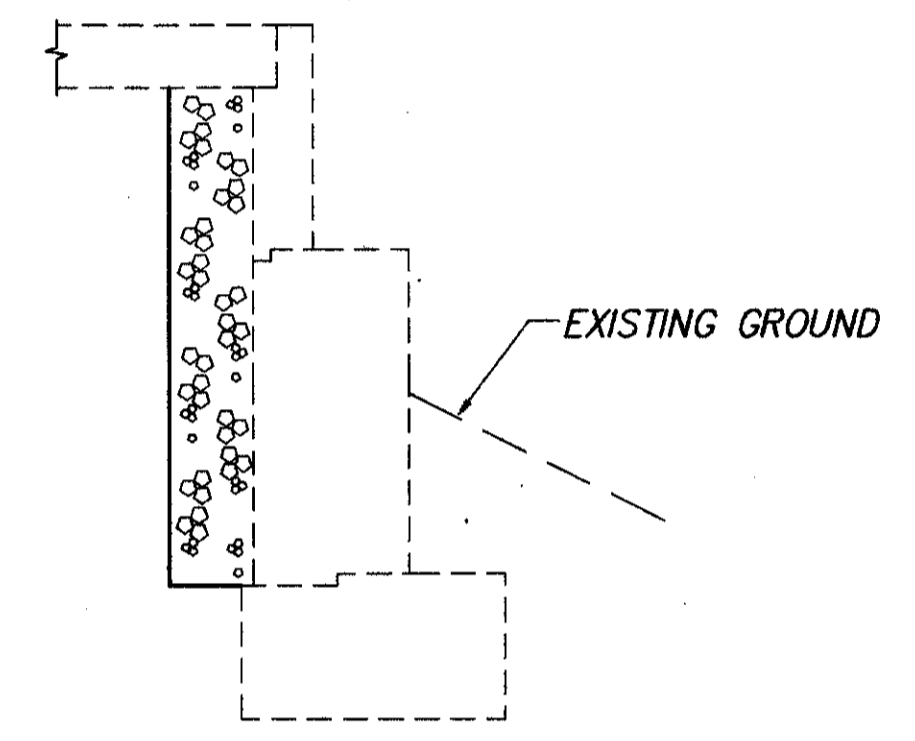


ESTIMATED QUANTITIES

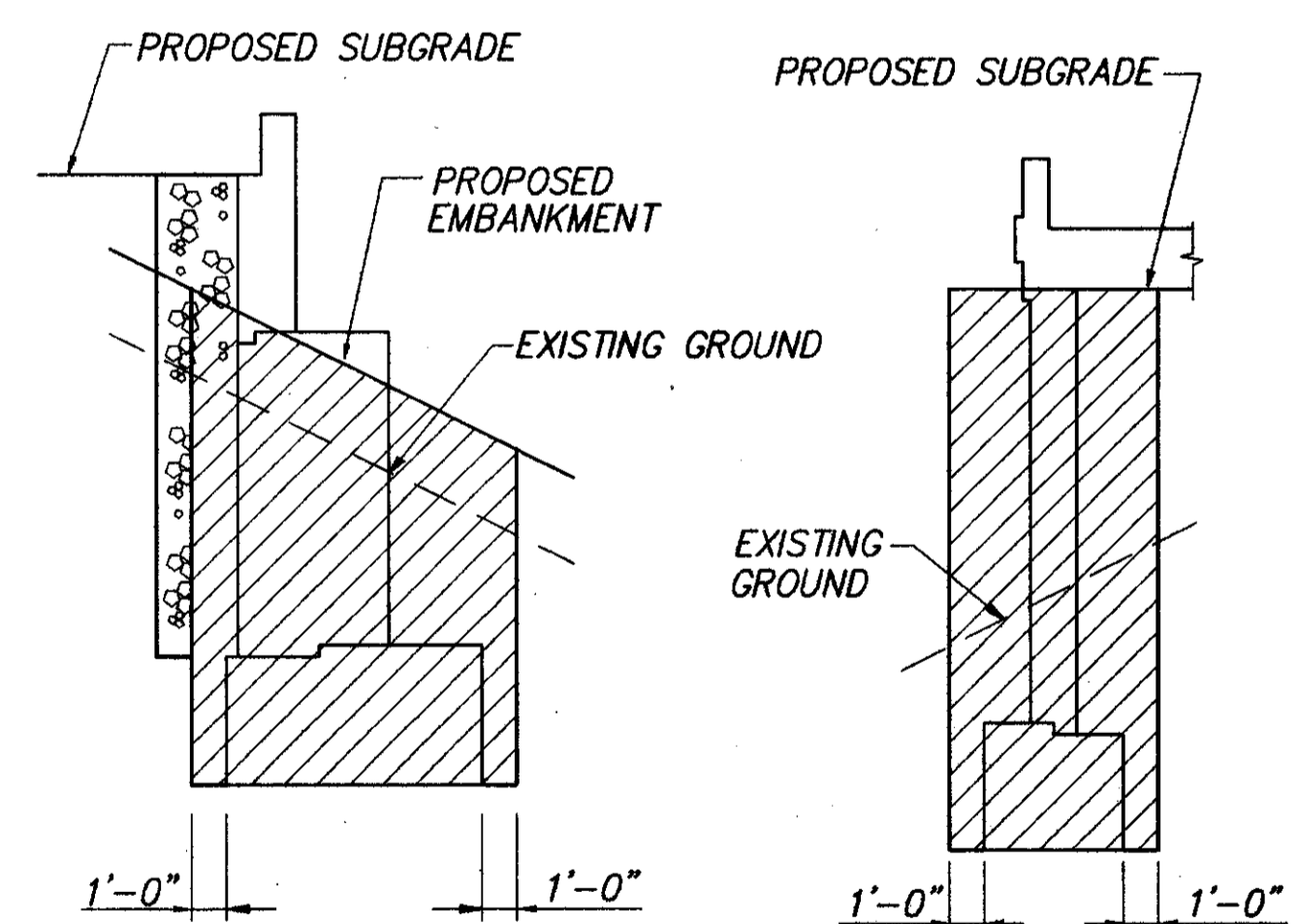
ITEM	ITEM EXT.	TOTAL	UNIT	DESCRIPTION	GENERAL	ABUT.	PIERS	SUPER.	AS PER PLAN REFERENCE SHEET NO.
202	11203	LUMP SUM		PORTIONS OF STRUCTURE REMOVED, OVER 20 FOOT SPAN, AS PER PLAN	LUMP				3,13
503	11100	LUMP SUM		COFFERDAMS, CRIBS AND SHEETING	LUMP				
503	21100	425	CU.YD.	UNCLASSIFIED EXCAVATION		232	193		
505	11100	LUMP SUM		PILE DRIVING EQUIPMENT MOBILIZATION	LUMP				
507	00500	2,164	LIN.FT.	12" CAST-IN-PLACE REINFORCED CONCRETE PILES, DRIVEN		1060	1104		
507	00550	2,464	LIN.FT.	12" CAST-IN-PLACE REINFORCED CONCRETE PILES, FURNISHED		1210	1254		
507	50500	30	EACH	STEEL PILE SPLICES		15	15		
512	44400	10	SQ.YD.	TYPE B WATERPROOFING		10			
SPECIAL	51426030	539,283	POUND	FIELD PAINTING, MISC.: SHOP PAINTING AND FIELD TOUCH-UP OF STRUCTURAL STEEL				539,283	
516	11210	105	LIN.FT.	STRUCTURAL EXPANSION JOINT INCLUDING ELASTOMERIC STRIP SEAL				105	
516	44000	12	EACH	ELASTOMERIC BEARING WITH INTERNAL LAMINATES AND LOAD PLATE (13 1/2"x21"x1 9/16" NEOPRENE)			12		
516	44100	12	EACH	ELASTOMERIC BEARING WITH INTERNAL LAMINATES AND LOAD PLATE (13"x20"x2 3/8" NEOPRENE)			12		
516	44101	6	EACH	ELASTOMERIC BEARING WITH INTERNAL LAMINATES AND LOAD PLATE (12"x21"x2 3/16" NEOPRENE), AS PER PLAN			6		36
516	44200	12	EACH	ELASTOMERIC BEARING WITH INTERNAL LAMINATES AND LOAD PLATE (11"x12"x3 9/16" NEOPRENE)		12			
516	13200	60	SQ. FT.	1/2" PREFORMED EXPANSION JOINT FILLER	60				
516	13600	14	SQ. FT.	1" PREFORMED EXPANSION JOINT FILLER	14				
518	12201	3	EACH	SCUPPER, INCLUDING SUPPORTS, AS PER PLAN				3	28
518	21200	110	CU.YD.	POROUS BACKFILL WITH FILTER FABRIC		110			
518	40000	122	LIN.FT.	6" PERFORATED CORRUGATED PLASTIC PIPE		122			
518	40010	65	LIN.FT.	6" NON-PERFORATED CORRUGATED PLASTIC PIPE, INCLUDING SPECIALS		65			
523	11100	3	hour	DYNAMIC LOAD TEST	3				
SPECIAL	53013000	2,233	SQ. FT.	FORM LINER				2,233	
SPECIAL	60739900	845	LIN. FT.	VANDAL PROTECTION FENCE, 6' STRAIGHT, COATED FABRIC		63		782	
843	50000	5	SQ.FT.	PATCHING CONCRETE STRUCTURES WITH TROWELABLE MORTAR			5		
844	48001	729	CU.YD.	HIGH PERFORMANCE CONCRETE SUPERSTRUCTURE (DECK), AS PER PLAN				729	4
844	48021	84	CU.YD.	HIGH PERFORMANCE CONCRETE SUPERSTRUCTURE (PARAPET), AS PER PLAN				84	4,38
844	48040	385	CU.YD.	HIGH PERFORMANCE CONCRETE SUBSTRUCTURE		171	214		
844	49000	LUMP SUM		HIGH PERFORMANCE CONCRETE TRIAL MIX	LUMP				
844	49010	LUMP SUM		HIGH PERFORMANCE CONCRETE TESTING	LUMP				
863	10201	10,383	POUND	STRUCTURAL STEEL MEMBERS, MISCELLANEOUS LEVEL FABRICATION, A709, GRADE 36, AS PER PLAN				10,383	5,32
863	10260	539,283	POUND	STRUCTURAL STEEL MEMBERS, LEVEL THREE (3) FABRICATION, A709, GRADE 50				539,283	
863	20000	5,850	EACH	WELDED STUD SHEAR CONNECTORS				5,850	
864	10050	586	SQ.YD.	SEALING OF CONCRETE SURFACES (NON-EPOXY)				586	
864	10100	1,686	SQ.YD.	SEALING OF CONCRETE SURFACES (EPOXY-URETHANE)		192	557	937	



PIER



EXISTING ABUTMENT



ABUTMENT EXTENSION

WINGWALL

EXCAVATION DIAGRAMS
(NOT TO SCALE)

- LEGEND:
- INDICATES AREA INCLUDED WITH ITEM 503- UNCLASSIFIED EXCAVATION.
 - INDICATES AREA INCLUDED WITH ITEM 518- POROUS BACKFILL WITH FILTER FABRIC.

NOTES: 1. EPOXY COATED REINFORCING STEEL, GRADE 60 SHALL BE INCIDENTAL IN THE PRICE BID FOR STRUCTURAL CONCRETE. ESTIMATED WEIGHTS OF EPOXY COATED REINFORCING STEEL ARE GIVEN IN THE REINFORCING SCHEDULES.

H:\CT\97125\BRIDGE\9712515.DWG PLOT SCALE 1:48