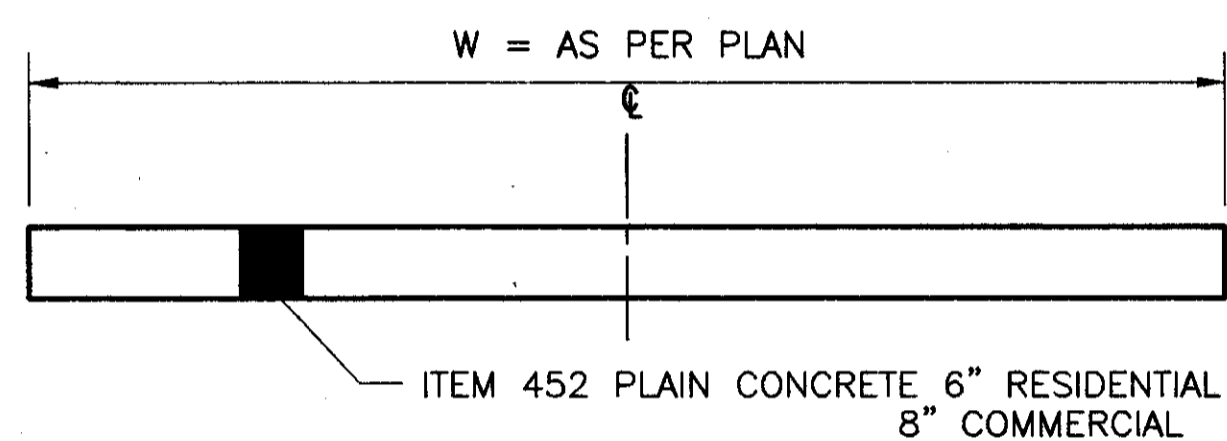
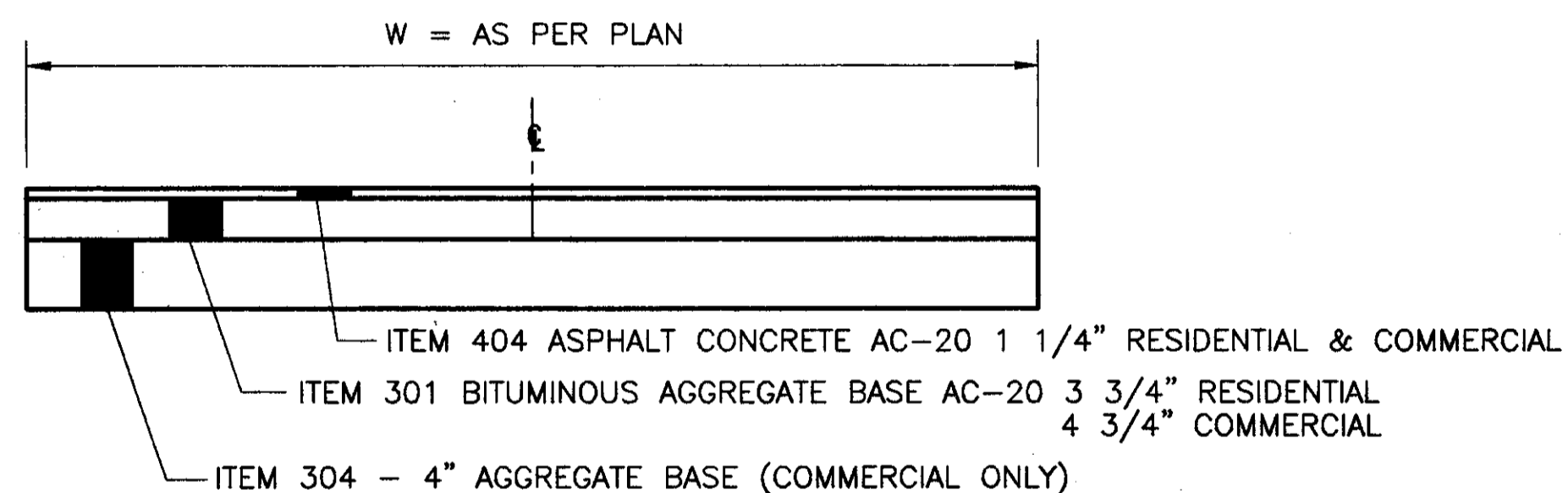


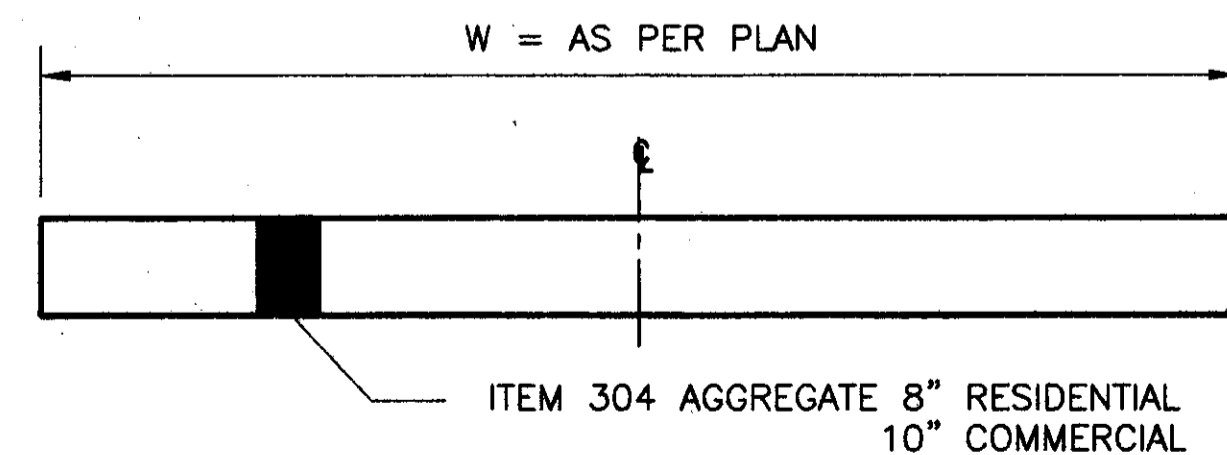
TYPICAL APRON DETAIL



CONCRETE DRIVE

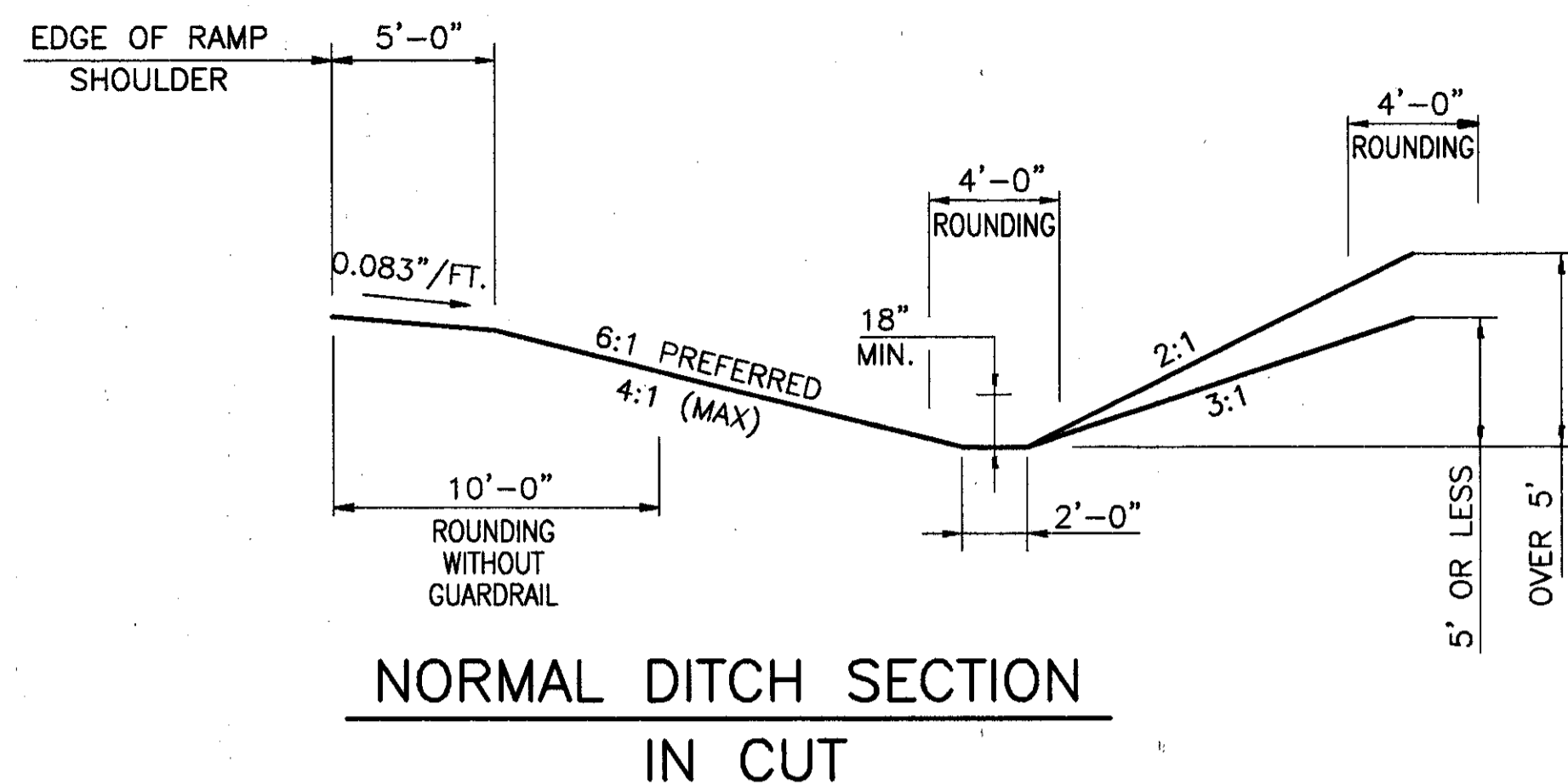


ASPHALT DRIVE

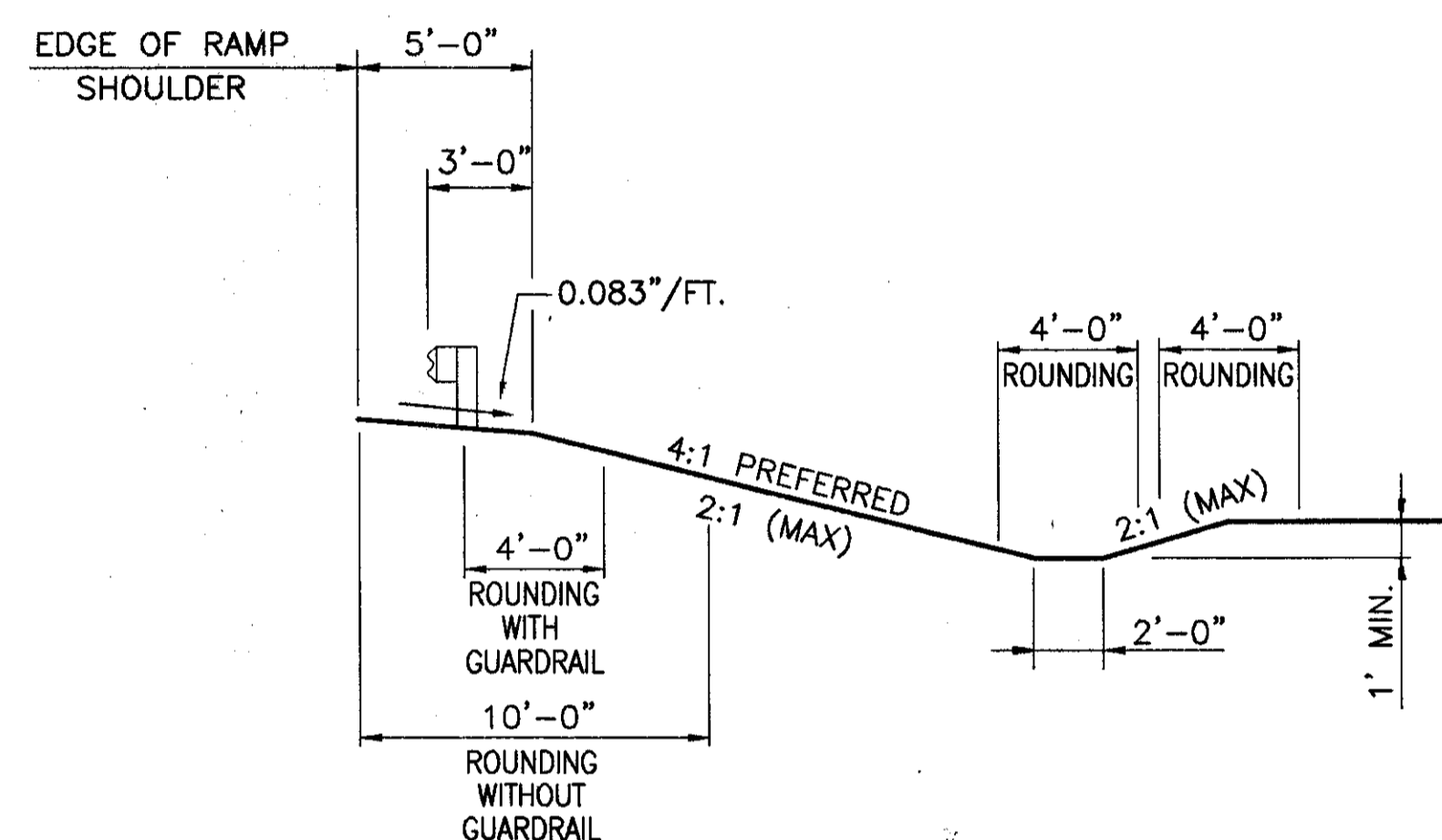


STONE DRIVE

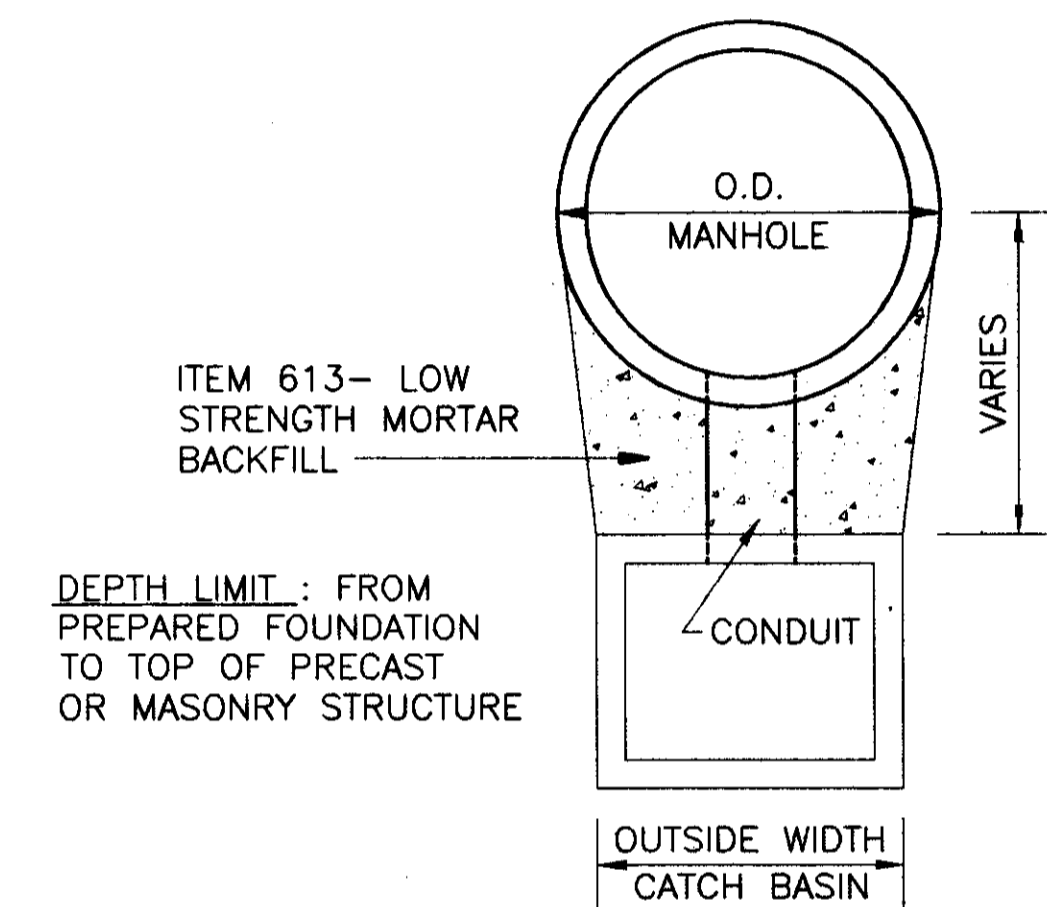
TYPICAL DRIVEWAY SECTIONS



NORMAL DITCH SECTION IN CUT

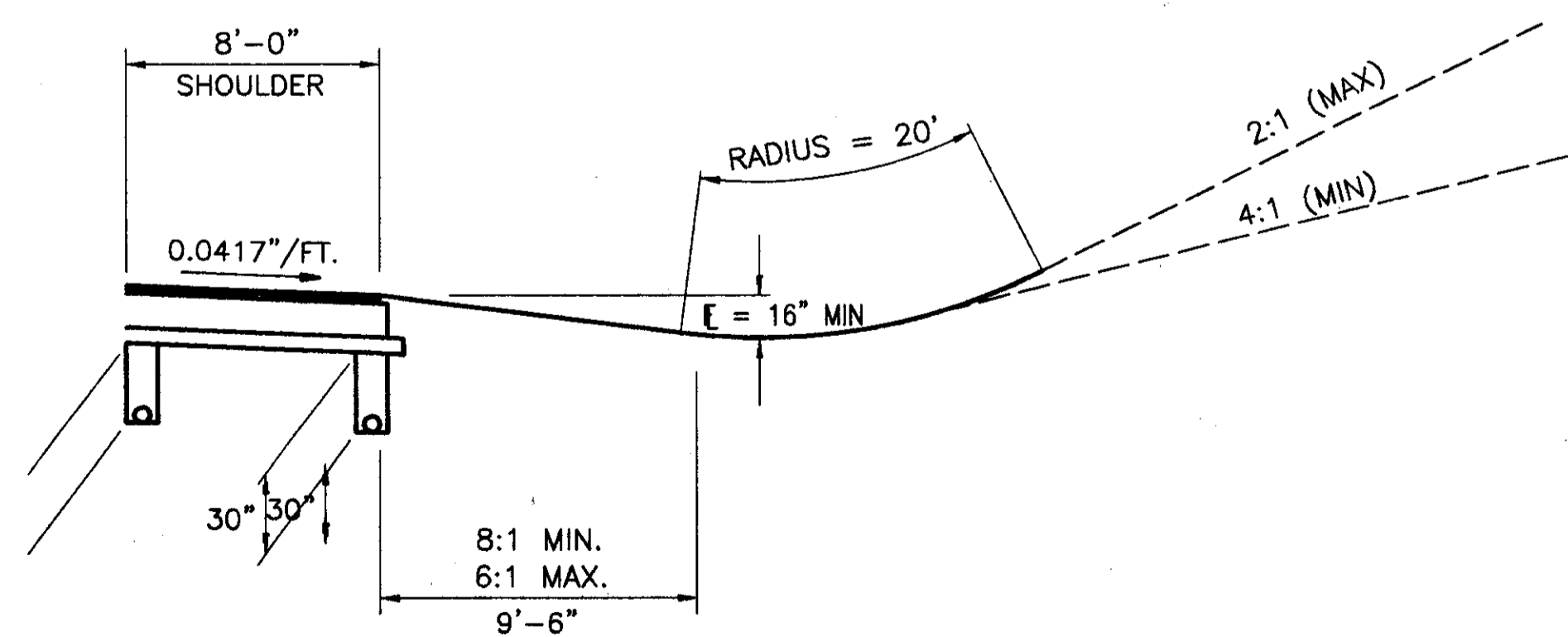


NORMAL DITCH SECTION IN FILL



MINIMUM PLACEMENT LIMITS FOR LOW STRENGTH MORTAR BACKFILL

ITEM 613 - CONDUIT, AS PER PLAN, TYPE 1



CUT SECTION OR LOW FILL

(ACCELERATION OR DECELERATION PORTION OF RAMP ALONG MAINLINE)

H:\CT\97125\SDSK\97125220.DWG

MISCELLANEOUS DETAILS

LAK-IR90/SR615-9.26/1.51