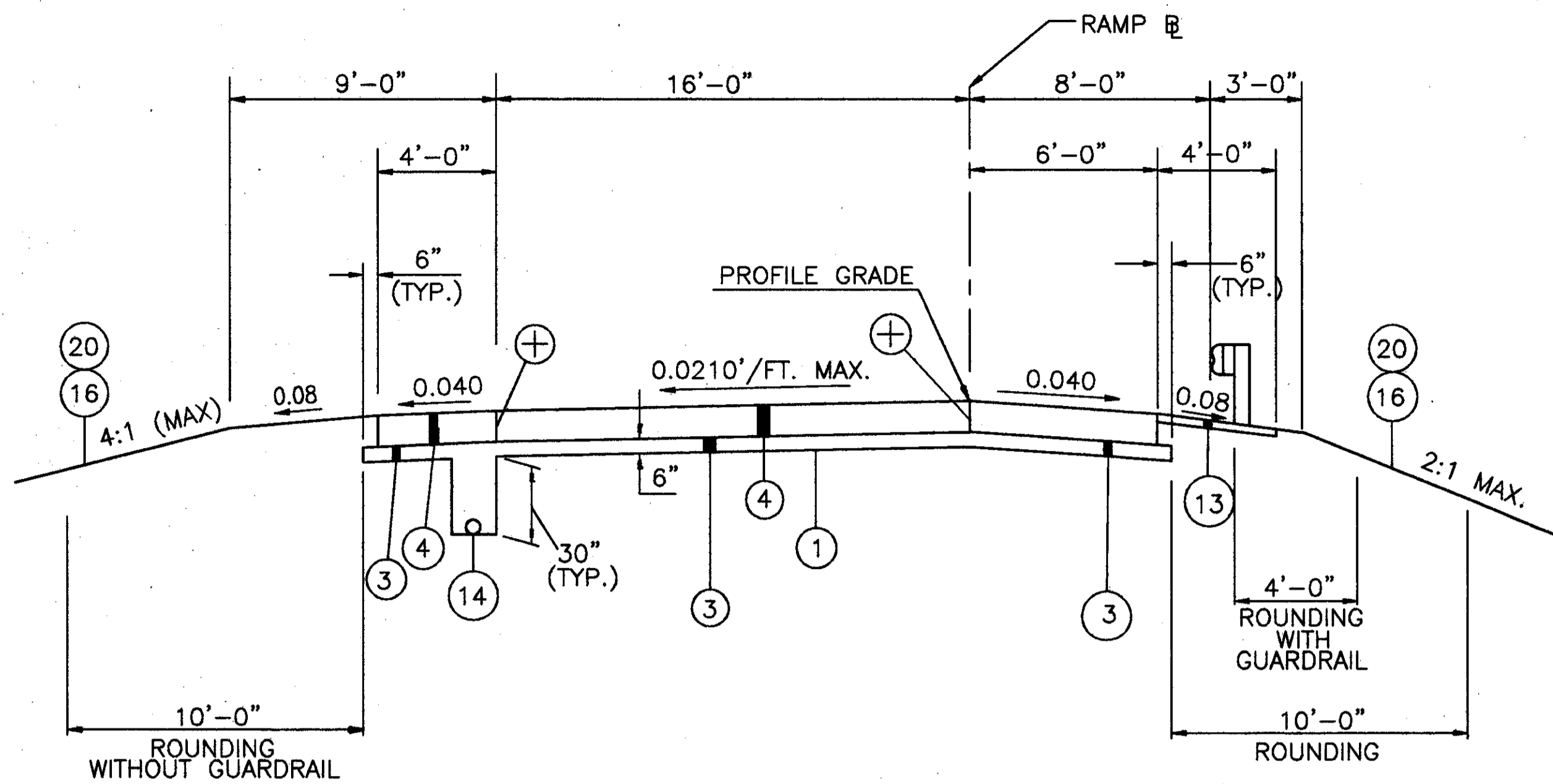
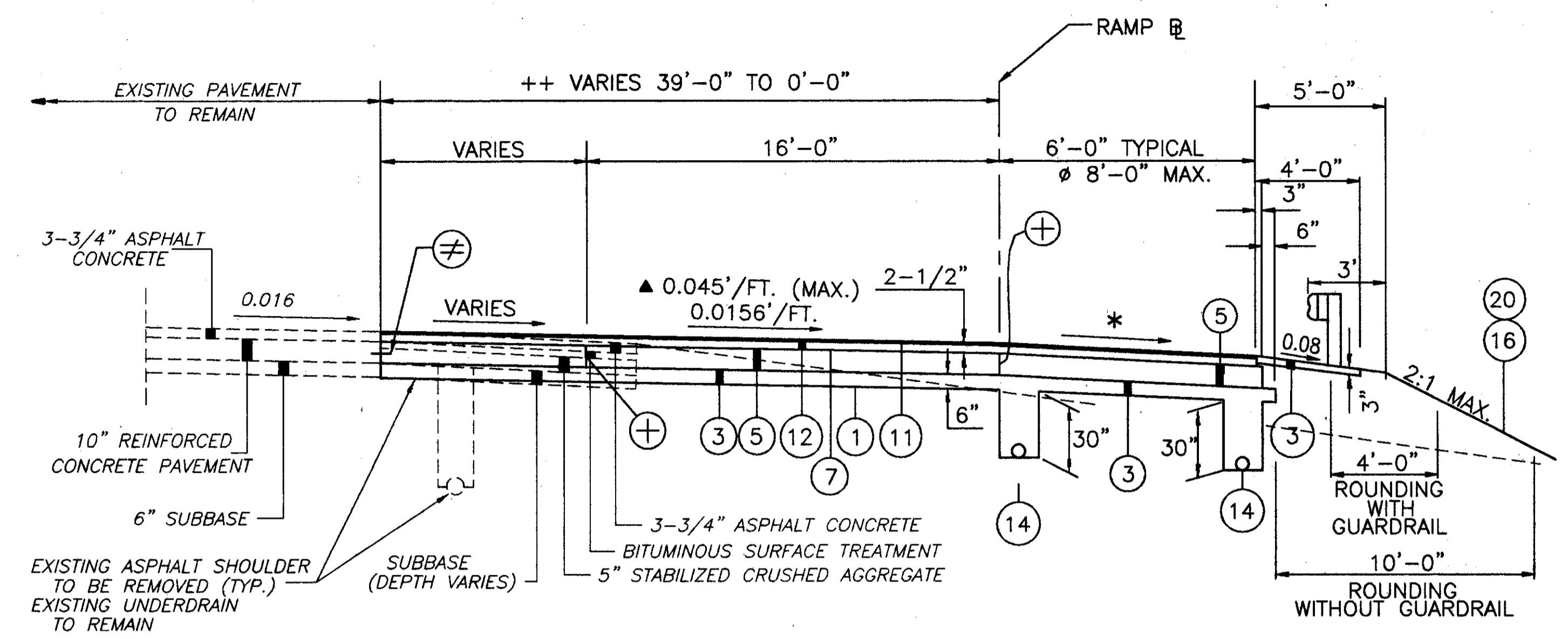


++ STA. 98+06.96 TO STA. 115+07.02
 Ø VARIES 6'-0" TO 8'-0" STA. 99+56.96 TO STA. 100+06.96
 8'-0" STA. 100+06.96 TO STA. 113+69



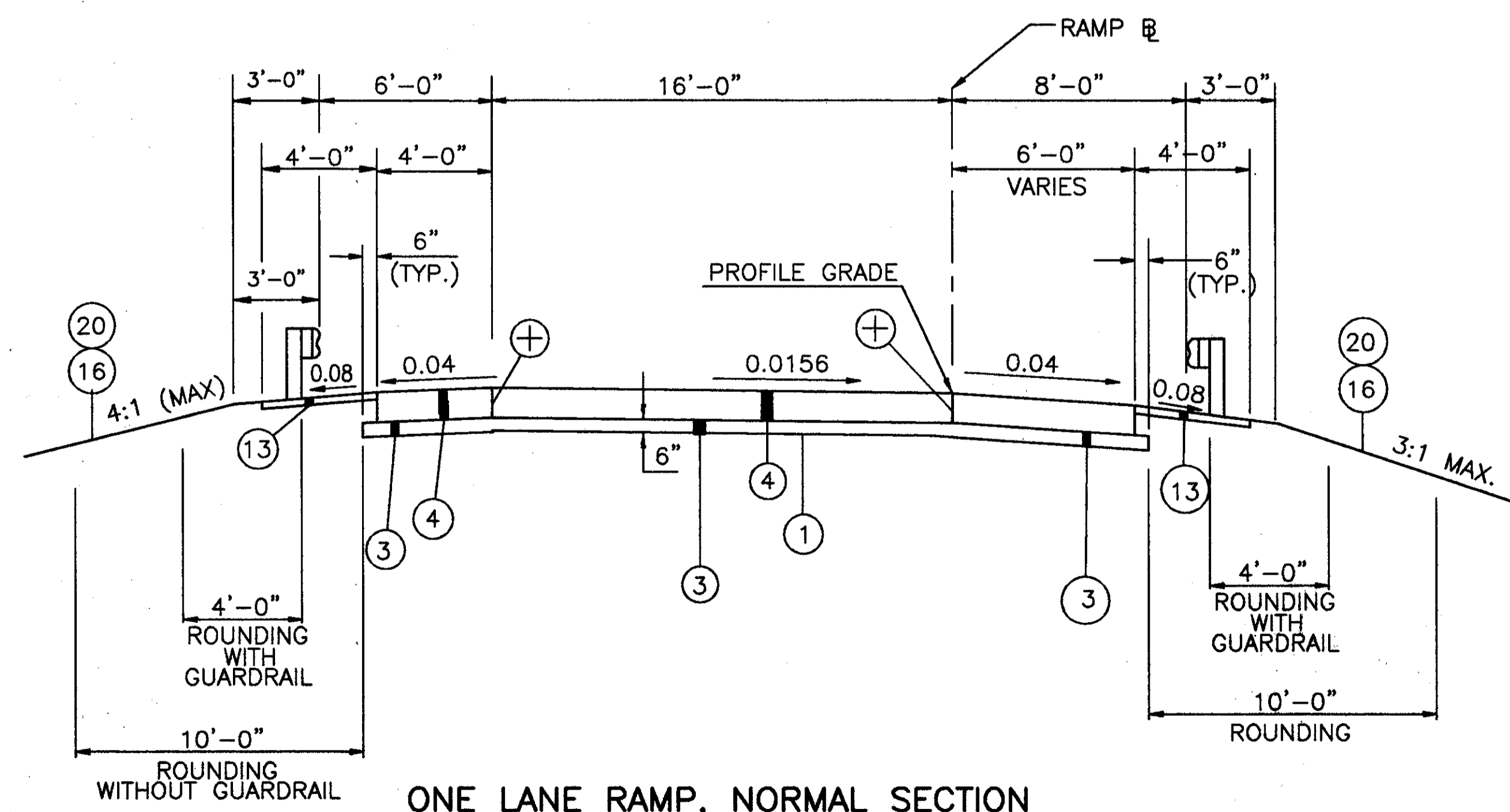
ONE LANE RAMP, SUPERELEVATION SECTION

STA. 90+19.07 TO STA. 91+14.07 (SUPERELEVATION TRANSITION) = 95.00 LIN. FT. (CURVE LEFT)
 STA. 91+14.07 TO STA. 92+71.75 (FULL SUPERELEVATION) = 157.68 LIN. FT. (CURVE LEFT)
 STA. 92+71.75 TO STA. 93+66.75 (SUPERELEVATION TRANSITION) = 95.00 LIN. FT. (CURVE LEFT)
 347.68 LIN. FT.



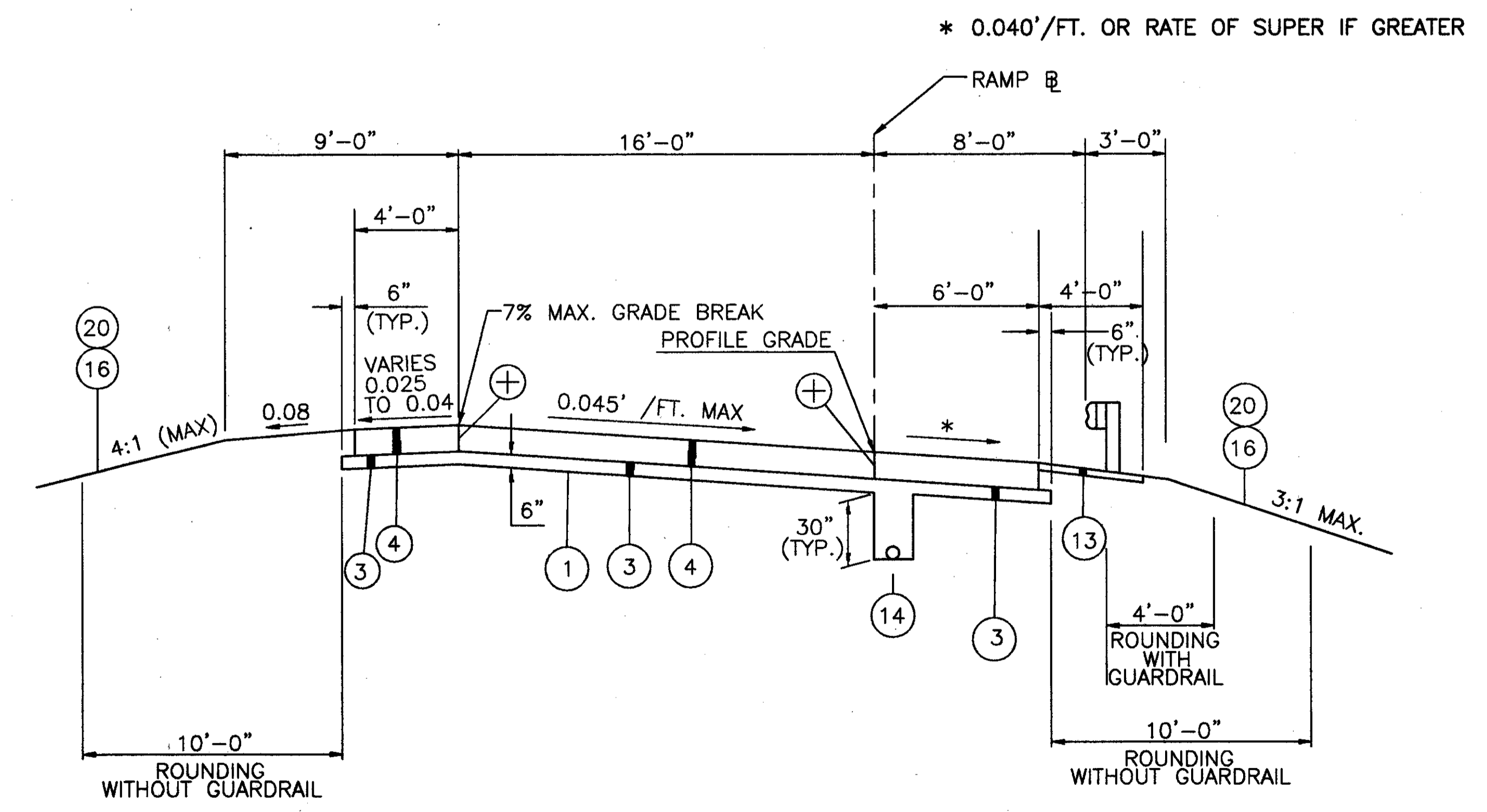
TYPICAL WIDENING FOR ENTRANCE RAMP

▲ STA. 98+06.96 TO STA. 100+06.96 (SUPERELEVATION TRANSITION) = 200.00 LIN. FT. (CURVE RIGHT)
 STA. 100+06.96 TO STA. 115+07.02 = 1500.06 LIN. FT.



ONE LANE RAMP, NORMAL SECTION

STA. 89+50.00 TO STA. 90+19.07 = 69.07 LIN. FT.
 STA. 93+66.75 TO STA. 94+85.00 = 118.25 LIN. FT.
 187.32 LIN. FT.



ONE LANE RAMP, SUPERELEVATION SECTION

STA. 94+85.00 TO STA. 95+80.00 - SUPERELEVATION TRANSITION = 95.00 LIN. FT. (CURVE RIGHT)
 STA. 95+80.00 TO STA. 98+06.96 - FULL SUPERELEVATION = 226.96 LIN. FT. (CURVE RIGHT)
 321.96 LIN. FT.

FOR LEGEND SEE SHEET 6.

H:\CT\97125\SDSK\97125210.DWG - PLOT SCALE 1:4